

4120 28,190
10-13-19

DATE PURCHASED _____ MACHINE SERIAL NO. _____

OPTIONS _____

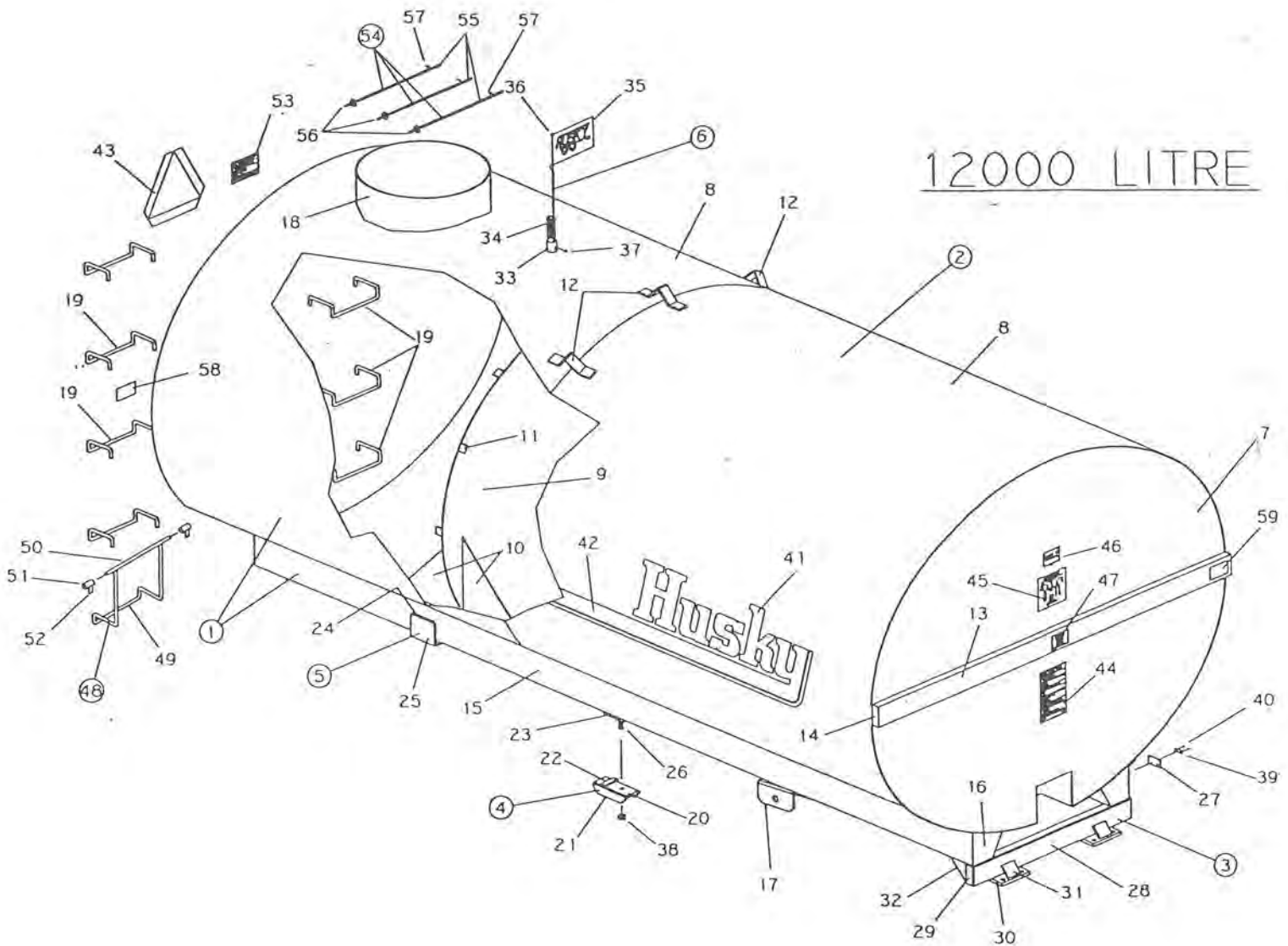
PLEASE NOTE:

The key number system in this parts book is arranged as follows:

- 0 --Key number with one circle denotes main assemblies
- Key numbers not circled are individual parts

Please order parts by number

MODEL "E"
12000L SINGLE AXLE
HUSKY LIQUID MANURE SPREADER



12000 LITRE

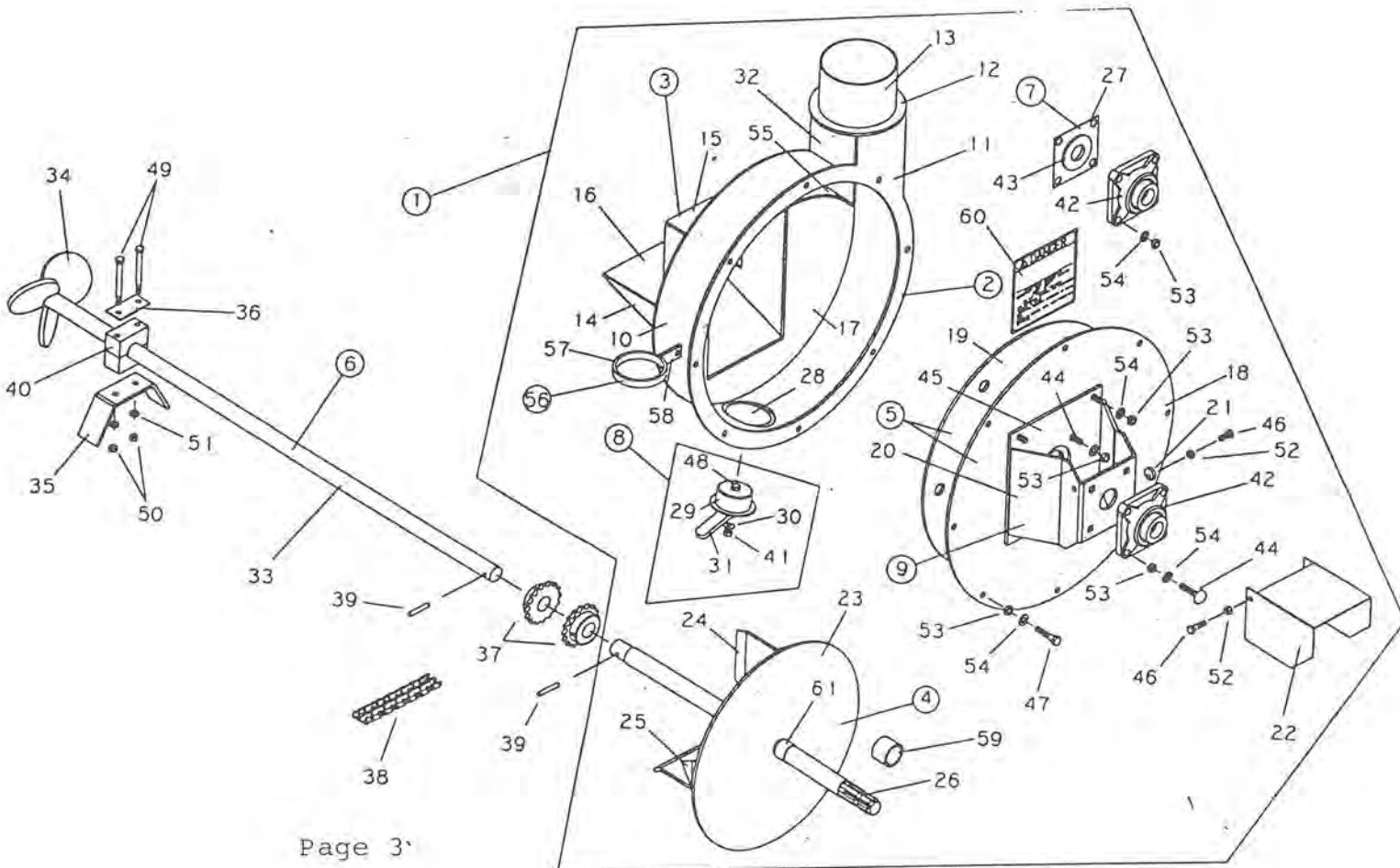
KEY	PART NUMBER	DESCRIPTION	QTY
1	363-09-00-000	12000 L TANK & SILL ASSY	1
2	326-88-25-000	12000 L TANK ASSY	1
3	364-02-17-000	CROSS MEMBER ASSY	1
4	340-41-00-000	CLAMPING BRKT ASSY	2
5	340-01-20-000	AXLE REAR STOP ASSY	2
6	340-62-00-000	HUSKY FLAG KIT	1
7	326-88-25-277	12000L TANK END	2
8	326-88-25-278	12000L TANK SHELL	2
9	326-88-25-279	12000L BAFFLE	1
10	340-01-01-459	BAFFLE GUSSET	4
11	300-01-00-016	BAFFLE BRKT	8
12	300-01-00-012	LIFT HOOK	3
13	330-66-00-257	TANK STIFFENER	2
14	330-66-00-258	STIFFENER CAPS	4
15	326-89-00-283	12000L SILL	2
16	326-89-00-284	SILL CAP	4

12000L TANK COMPLETE

<u>KEY</u>	<u>PART NUMBER</u>	<u>DESCRIPTION</u>	<u>QTY</u>
17	315-31-00-115	TONGUE U PIECE	2
18	364-02-00-006	MANHOLE	1
19	364-02-00-008	LADDER RUNG	7
20	340-41-00-442	CLAMPING BRKT	2
21	340-41-00-443	CLAMPING BRKT GUSSET	4
22	340-41-00-444	FILLER BAR	2
23	340-01-00-445	FRONT SPACER	2
24	340-01-20-446	AXLE REAR INNER STOP	2
25	340-01-20-447	AXLE REAR OUTER SUPPORT	2
26	340-00-00-448	SCRAPER BLADE BOLT	2
27	340-01-00-498	SERIAL NUMBER PLATE	1
28	364-02-17-120	CROSS MEMBER	1
29	364-02-17-121	END CAP	2
30	364-02-17-122	TONGUE STRAP	2
31	364-02-17-123	TONGUE STRAP GUSSET	2
32	364-02-17-128	CROSS MEMBER GUSSET	2
33	340-00-00-536	FLAG SPRING HOLDER	1
34	R08037	FLAG SPRING	1
35	R09735	HUSKY FLAG	1
36	R21371	PLASTIC TIP	1
37	R07926	5/16-18 X 1/4 SS SET SCREW	1
38	R07878	3/4" NYLON INSERT NUT	2
39	R09071	SERIAL NUMBER	1
40	R08162	TYPE "U" DRIVE SCREW 4 X 1/4	2
41	R09510	HUSKY DECAL	2
42	R09511	ACCENT STRIP	2
43	R09501	SLOW MOVING VEHICLE SIGN	1
44	R09783	'CAUTION' DECAL	1
45	R09730	TIRE PRESSURE STICKER	1
46	R09509	MADE IN CANADA STICKER	1
47	R09512	CAPACITY STICKER	1
48	364-02-19-000	LADDER BOTTOM RUNG ASSY	1
49	364-02-19-151	LADDER BOTTOM RUNG	1
50	364-02-19-152	LADDER TOP PIECE	1
51	364-02-00-153	LADDER BRACKET	2
52	364-02-00-154	LADDER SHIM	2
53	R09784	'DANGER-TOXIC GAS' DECAL	1
54	364-47-00-000	MANHOLE SAFETY BAR ASSY	3
55	364-47-00-155	MANHOLE SAFETY BAR	3
56	R07825	1/2" FLAT WASHER	3
57	R08020	3/16 X 1-1/4 S.S. COTTER PIN	3
58	R10096	RED REFLECTOR	2
59	R10097	AMBER REFLECTOR	1

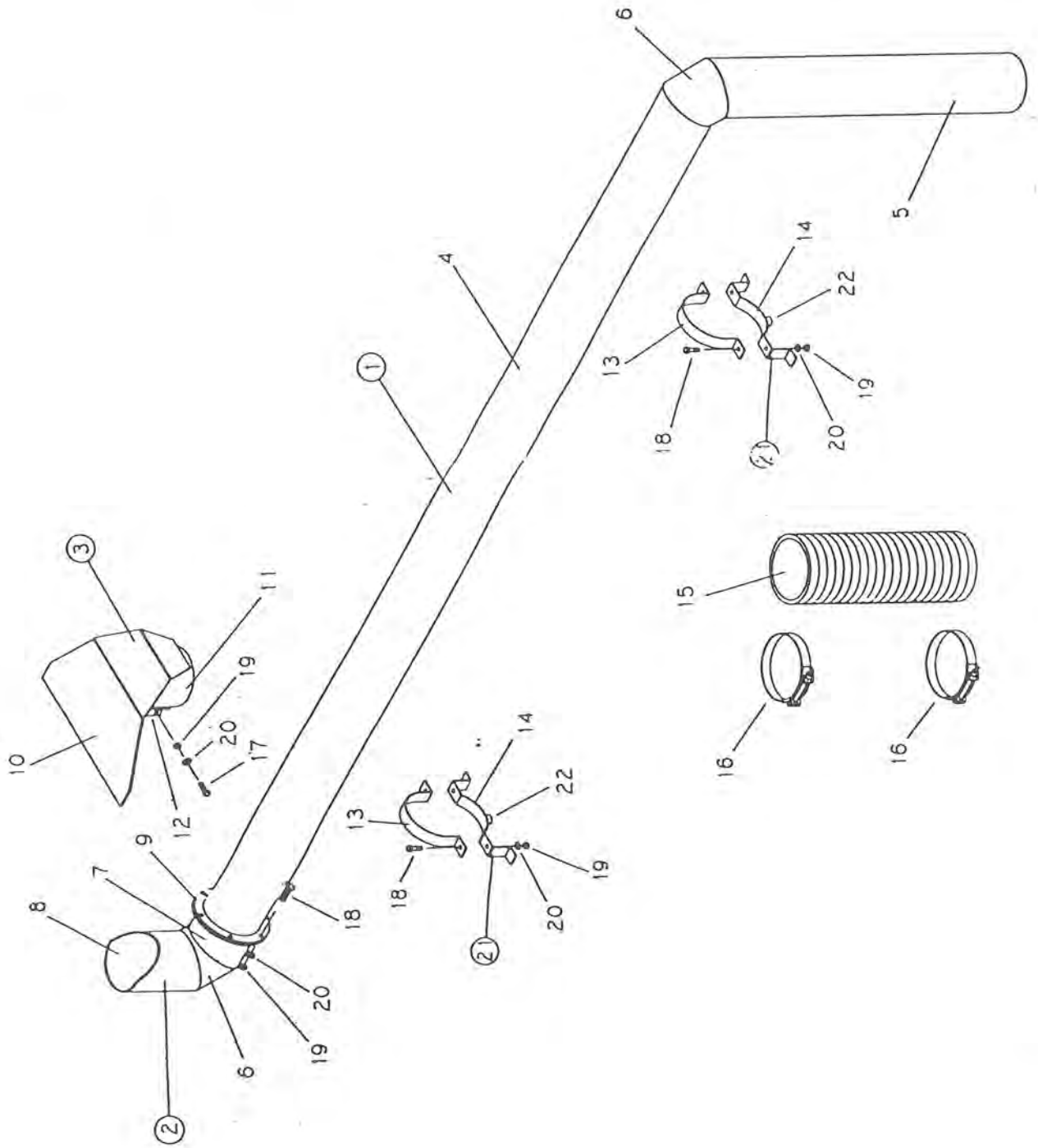
FAN & HOUSING KIT

KEY	PART NUMBER	DESCRIPTION	QTY
1	364-23-00-000	MODEL E FAN & HOUSING KIT	1
2	364-01-03-000	FAN HOUSING ASSY	1
3	364-01-15-000	HOUSING BACK PLATE ASSY	1
4	364-03-00-000	FAN ASSEMBLY 540 RPM	1
<hr/>			
5	364-39-00-000	FAN ASSEMBLY 1000 RPM	*
6	340-51-00-000	FAN HOUSING COVER ASSEMBLY	1
6	364-22-00-000	AGITATOR ASSEMBLY	1
7	364-54-00-000	SEAL & PLATE KIT	1
<hr/>			
8	364-53-00-000	DRAIN PLUG KIT	1
9	364-52-00-000	BRG HOLDER ASSEMBLY	1
10	364-01-03-018	HOUSING BAND	1
11	364-01-03-019	HOUSING FLANGE	1
<hr/>			
12	364-01-03-062	DISCHARGE RING	1
13	364-01-03-063	DISCHARGE TUBE	1
14	364-01-03-103	OUTLET SIDE PIECE	2
15	364-01-03-104	OUTLET TOP PIECE	1
<hr/>			
16	364-01-03-105	OUTLET BOTTOM PIECE	1
17	364-01-03-106	HOUSING BACK PLATE	1
18	364-04-00-026	HOUSING COVER PLATE	1
19	364-04-00-027	COVER PLATE SUPPORT	1



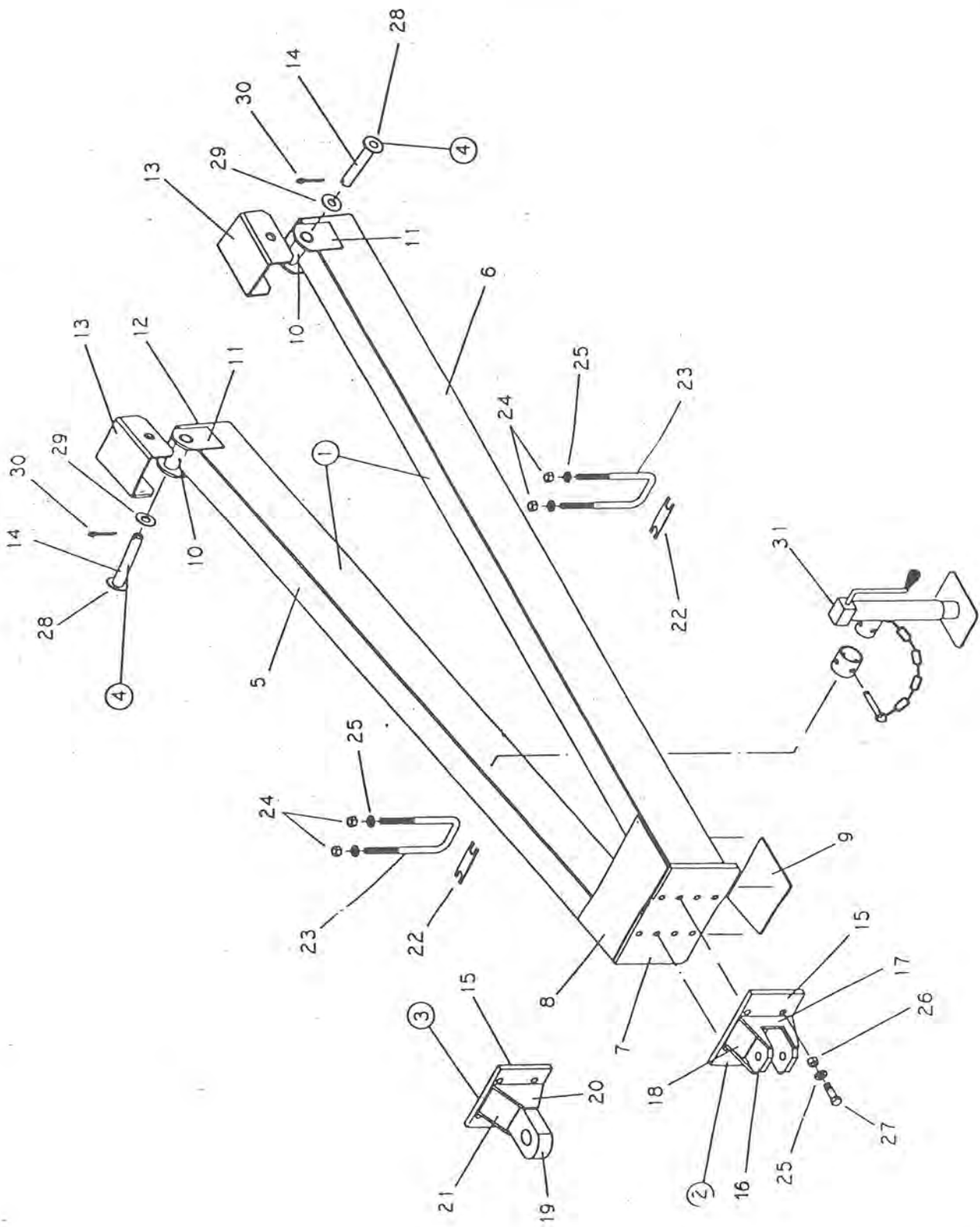
FAN & HOUSING KIT CONTINUED

KEY	PART NUMBER	DESCRIPTION	QTY
20	364-52-00-170	OUTER BRG MOUNT	1
21	364-00-00-090	FLIP GUARD STOP	1
22	364-00-00-029	FLIP GUARD	1
23	364-03-00-022	FAN BACK PLATE	1
24	364-03-00-023	FAN BLADE 540 RPM	4
	364-39-00-130	FAN BLADE 1000 RPM	4
25	364-03-00-024	FAN BLADE GUSSET	4
26	364-03-00-089	FAN SHAFT	1
27	364-54-00-173	SEAL PLATE	1
28	364-01-03-110	DRAIN PIPE	1
29	R09542	PLUG W/ WASHER	1
30	R07823	3/8 FLAT WASHER	1
31	364-00-00-114	HANDLE	1
32	364-01-03-081	FAN HOUSING VERTICAL PIECE	1
33	364-22-00-074	AGITATOR SHAFT	1
34	364-22-00-075	AGITATOR BLADE	3
35	364-00-00-077	BRG HOLDER	1
36	300-00-00-062	BRG PLATE	1
37	364-00-00-085	#50-16 COUPLER SPROCKET	2
38	R20885	#50-2 COUPLER CHAIN	1
39	R07952	5/16 X 2 ROLL PIN	2
40	R20228	1 1/4 WOOD BRG	1
41	R07881	3/8 SS HEX LOCK NUT	1
42	R20185	1 3/8 FLANGE BRG	2
43	R20282	URETHANE SEAL	1
44	R07733	7/16 X 1 1/2 CARRIAGE BOLT	12
45	364-52-00-171	INNER BRG MOUNT	4
46	R07619	3/8 X 1 HEX BOLT	3
47	R07677	7/16 X 1 1/4 HEX BOLT	8
48	R07779	3/8 X 2 SS CARR BOLT	1
49	R07625	5/8 X 4 HEX BOLT	2
50	R07783	3/8 HEX NUT	2
51	R07803	3/8 LOCK WASHER	2
52	R07886	3/8 LOCK NUT	3
53	R07784	7/16 HEX NUT	20
54	R07804	7/16 LOCK WASHER	20
55	364-01-03-156	HOUSING BAND AID	1
56	364-41-00-000	PTO HOLDER ASSEMBLY	1
57	364-41-00-000	PTO HOLDER	1
58	364-41-00-133	PTO HOLDER BRKT	1
59	364-00-00-134	PTO SPACER	1
60	R09785	'DANGER' DECAL	1
61	364-00-00-172	SS SLEEVE	1



DISCHARGE PIPE ASSEMBLY

<u>KEY</u>	<u>PART NUMBER</u>	<u>DESCRIPTION</u>	<u>QTY</u>
1	364-19-00-000	DISCHARGE PIPE ASSEMBLY -12 & 14000L	1
	359-30-00-000	DISCHARGE PIPE ASSEMBLY -15000L	1
	362-20-00-000	DISCHARGE PIPE ASSEMBLY -7 & 9000L	1
2	364-25-00-000	DISCHARGE PIPE END SECTION	1
3	364-21-00-000	SPLASH PLATE ASSEMBLY	1
4	364-19-00-065	HORIZONTAL DISCHARGE PIPE -12 & 14000L	1
	359-30-00-108	HORIZONTAL DISCHARGE PIPE -15000L	1
	362-20-00-068	HORIZONTAL DISCHARGE PIPE -7 & 9000L	1
5	364-19-00-064	VERTICAL DISCHARGE PIPE	1
6	364-19-00-082	DISCHARGE PIPE CORNER PIECE	2
7	364-25-00-088	DISCHARGE PIPE FLANGE PIECE	1
8	364-25-00-067	DISCHARGE PIPE END PIECE	1
9	364-19-00-087	DISCHARGE PIPE FLANGE	2
10	364-21-00-069	SPLASH PLATE	1
11	364-21-00-070	CLAMPING TUBE	1
12	364-21-00-071	CLAMPING TUBE BRKT	2
13	364-00-00-083	DISCHARGE CLAMP UPPER PIECE	2
14	364-50-00-084	DISCHARGE CLAMP BASE PIECE	2
15	364-00-00-066	FLEX HOSE	1
16	R02482	6" CLAMP	2
17	R07622	3/8 X 2 1/2 HEX BOLT	2
18	R07675	3/8 X 1 1/4 HEX BOLT	10
19	R07783	3/8 HEX NUT	12
20	R07803	3/8 LOCK WASHER	12
21	364-50-00-000	DISCHARGE CLAMP BASE ASSY	2
22	364-50-00-165	DISCHARGE CLAMP SPACER	2



TONGUE AND HITCH

<u>KEY</u>	<u>PART NUMBER</u>	<u>DESCRIPTION</u>	<u>QTY</u>
1	364-35-00-000	TONGUE ASSEMBLY	1
2	364-05-00-000	STD HITCH ASSEMBLY	1
3	364-26-00-000	SINGLE POINT HITCH ASSEMBLY	*
4	315-39-00-000	LOCK PIN ASSEMBLY	2

5	364-35-00-115	R H TONGUE TUBE	1
6	364-35-00-116	L H TONGUE TUBE	1
7	364-35-00-117	HITCH BOLT PLATE	1
8	364-35-00-118	TONGUE TUBE UPPER GUSSET	1

9	364-35-00-119	TONGUE TUBE LOWER GUSSET	1
10	315-36-00-145	BUSHING	2
11	315-36-00-146	SIDE PIECE	4
12	315-36-00-147	TONGUE TUBE END CAP	2

13	315-31-00-115	TONUGE "U" PIECE	2
14	315-39-00-155	LOCK PIN	2
15	364-05-00-030	HITCH BACK PLATE	1
16	364-05-00-031	HITCH PLATE	2

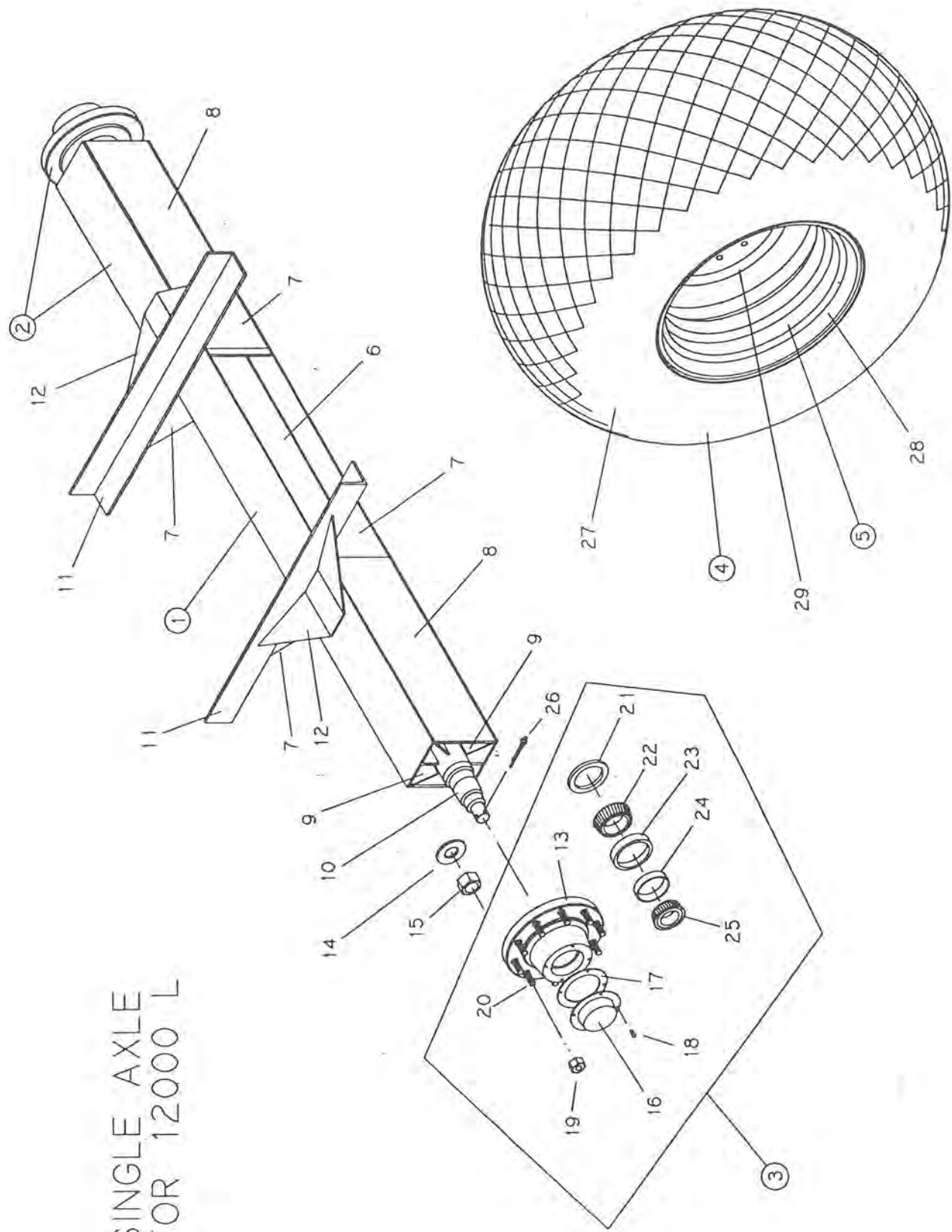
17	364-05-00-032	HITCH SIDE GUSSET	2
18	364-05-00-033	HITCH UPPER GUSSET	2
19	364-26-00-091	SINGLE POINT HITCH	1
20	364-26-00-092	SINGLE POINT HITCH GUSSET	2

21	364-26-00-093	HITCH UPPER & LOWER GUSSET	2
22	364-00-00-131	U BOLT SPACER	2
23	R08172	3/4 NF X 10" U BOLT	2
24	R07820	3/4 NF HEX NUT	4

25	R07807	3/4 LOCK WASHER	8
26	R07787	3/4 HEX NUT	4
27	R07655	3/4 X 2 1/2 HEX BOLT	4
28	R07828	1 FLAT WASHER	2

29	R07830	1 1/4 FLAT WASHER	2
30	R08016	1/4 X 2 COTTER PIN	2
31	R09751	7000 LB SIDE WIND JACK	1

SINGLE AXLE
FOR 12000 L

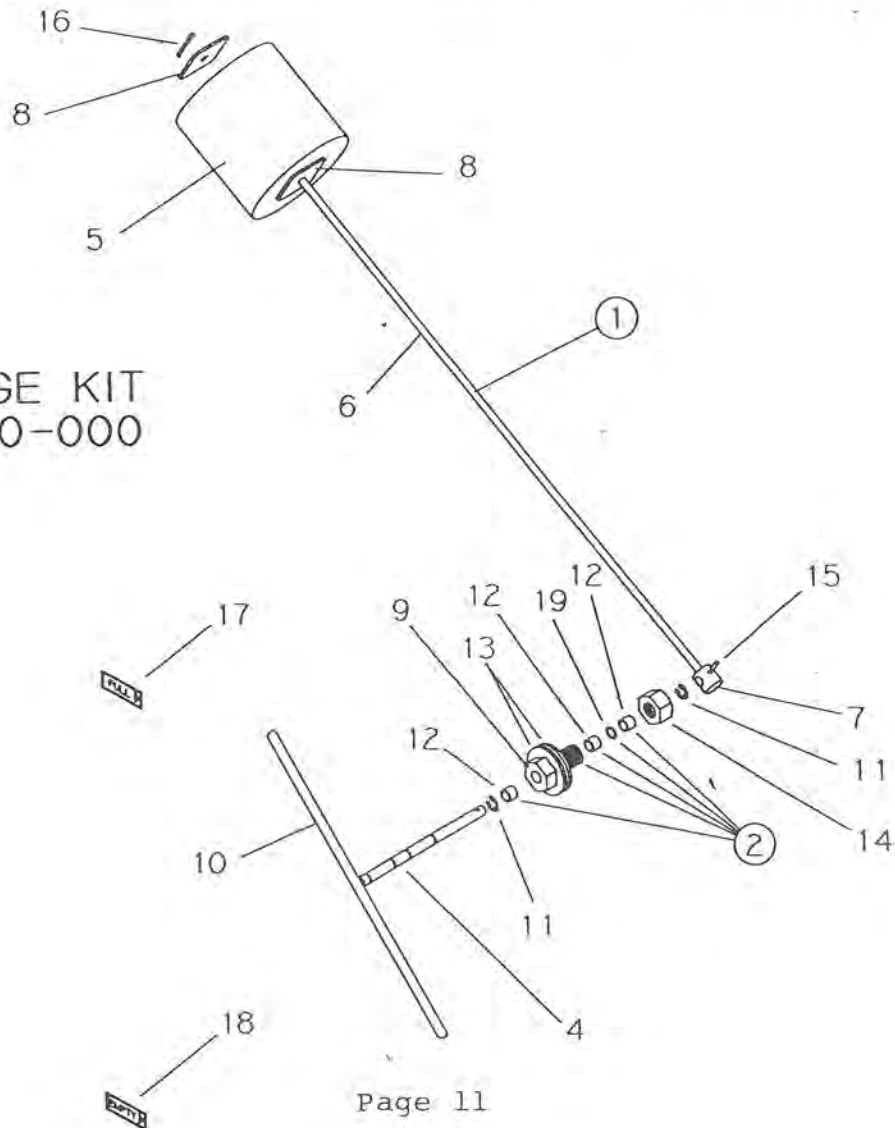


<u>KEY</u>	<u>PART NUMBER</u>	<u>DESCRIPTION</u>	<u>QTY</u>
1	363-37-00-000	SINGLE AXLE ASSY	1
2	363-38-00-000	SINGLE AXLE ASSY COMPLETE W/ HUBS	1
3	340-43-00-000	HUSKY 10 BOLT HUB COMPLETE - 16000 LB	2
4	330-04-00-000	28L X 26 TURF TIRE, TUBE & WHEEL	2
5	330-04-43-000	DW 25-26 WHEEL ASSY	2
6	363-37-00-124	CROSS MEMBER	1
7	363-37-00-125	DOUBLE GUSSET	4
8	363-37-00-126	REINFORCING PLATE	4
9	363-37-00-127	SPINDLE GUSSET	8
10	363-37-00-129	SPINDLE	2
11	315-35-00-131	SILL ANGLE PLATE	2
12	340-11-00-354	REINFORCING GUSSET	2
13	340-43-00-451	16000LB HUB W/CUPS	2
14	R20091	1 13/16 SPINDLE WASHER	2
15	R20092	1 3/4-12 UNF SPINDLE NUT	2
16	R20093	DUST CAP	2
17	R20084	DUST CAP GASKET	2
18	R07690	DUST CAP BOLT 5/16 X 5/8	8
19	R20097	3/4" SPH-RAD WHEEL NUT	20
20	R20096	3/4-16 UNF WHEEL STUD	20
21	R20083	SEAL CR -38730	2
22	R20086	INNER CONE #47687	2
23	R20088	INNER CUP #47620	2
24	R20089	OUTER CUP #39520	2
25	R20087	OUTER CONE #39585	2
26	R20095	5/16 X 4 COTTER PIN	2
27	R20015	28L X 26 TURF TIRE & TUBE	2
28	R20053	DW 25-26 RIM	2
29	R20052	FORMED CENTRE DISC	2

SIGHT GAUGE KIT

<u>KEY</u>	<u>PART NUMBER</u>	<u>DESCRIPTION</u>	<u>QTY</u>
1	330-93-30-000	FLOAT ARM ASSY	1
2	330-93-31-000	BRONZE BRG HOLDER ASSY	1
3	330-93-32-000	INDICATOR ARM ASSY	1
4	330-93-32-374	CONNECTOR SHAFT	1
<hr/>			
5	330-93-00-375	FLOAT	1
6	330-93-30-376	FLOAT ARM	1
7	330-93-30-377	BOSS	1
8	330-93-30-378	FLOAT STRAPS	2
<hr/>			
9	330-93-31-379	BRONZE BEARING HOLDER	1
10	330-93-32-424	INDICATOR ARM	1
11	R07974	EXTERNAL RETAINING RING	2
12	R21173	1/2 X 5/8 X 1/2 BRONZE BUSHING	3
<hr/>			
13	R07828	1" FLAT WASHER	2
14	R07788	1" HEX NUT	1
15	R07950	3/16 X 1-1/4 ROLL PIN	1
16	R08021	1/8 X 1 S.S. COTTER PIN	1
<hr/>			
17	R09529	"FULL" STICKER	1
18	R09530	"EMPTY" STICKER	1
19	R20865	1/2 X 5/8 X 1/16 O-RING	1

SITE GAUGE KIT
330-93-00-000



SERIES 4 CV JOINT PTO

R20299 - 540 RPM
R20301 - 1000 RPM

KEY	PART NUMBER	DESCRIPTION	QTY
1	R21464	OUTER YOKE W/QD PIN 1 3/8 6T 540RPM	1
	R21465	OUTER YOKE W/QD PIN 1 3/8 21T 1000RPM	*
2	R21470	JOURNAL & BEARING KIT	2
3	R21443	SNAP RING	12
4	R21481	GREASE FITTING M10-1.0 X 45 DEGREE	1
5	R21471	CV CENTRAL BODY	1
6	R21480	GREASE FITTING M6-1.0 STRAIGHT	5
7	R21474	OUTER TUBE YOKE	1
8	R21475	SPRING DOWEL FOR OUTER TUBE	1
9	R21478	OUTER TUBE	1
10	R21479	INNER TUBE	1
11	R21476	SPRING DOWEL FOR INNER TUBE	1
12	R21472	INNER TUBE YOKE	1
13	R21451	QD PIN KIT	2
14	R21473	SHEAR BOLT TORQUE LIMITED 1 3/8 6T	1
15	R08251	SHEAR BOLT M8 1.24 X 45 LONG	1
16	R21482	GREASE FITTING M10-1.0 STRAIGHT	1
17	R21483	BALL BEARING	17
18	R21442	JOURNAL AND BEARING KIT	1
19	R21468	INNER BELL	1
20	R21469	OUTER BELL	1
21	R21466	OUTER SHIELD TUBING	1
22	R21467	INNER SHIELD TUBING	1
23	R21456	GUARD RETAINING COLLAR - OUTER	1
24	R21455	GUARD RETAINING COLLAR - INNER	1

SERIES 4 CV JOINT PTO

R20299-540 RPM
R20301-1000 RPM

