

office copy
July 23/85
10 made
Aug 28/85
10 made
Jul 5/88
15 made
Mar 30
10 made

DATE PURCHASED _____ MACHINE SERIAL NO _____
OPTIONS _____

PLEASE NOTE:

The Key number system in this parts book is arranged as follows:

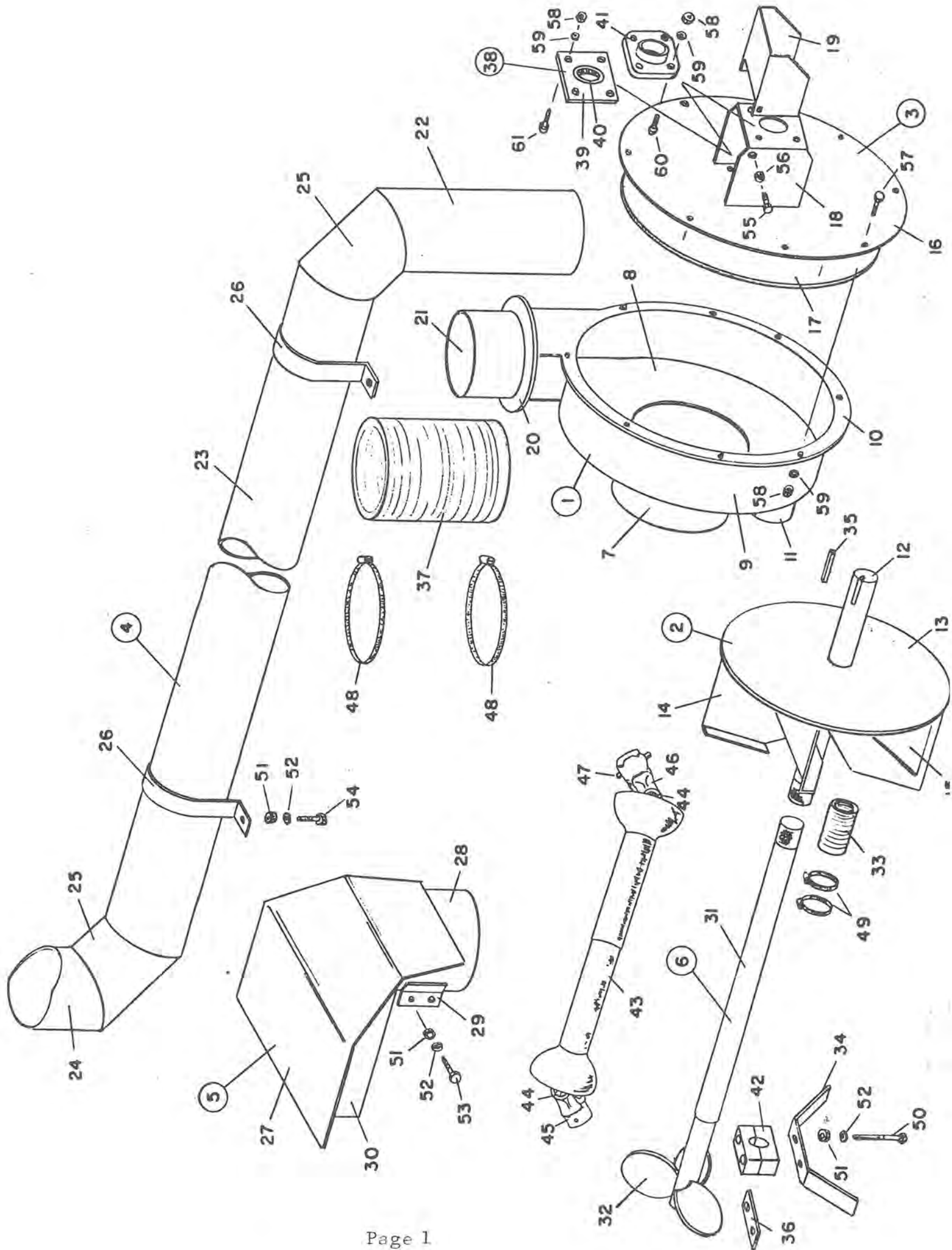
- -- Key number with one circle denote main assemblies
- Key numbers not circled are individual parts

Please order parts by number

MODEL "E"
12000 & 14000 LITRE
HUSKY LIQUID MANURE SPREADER

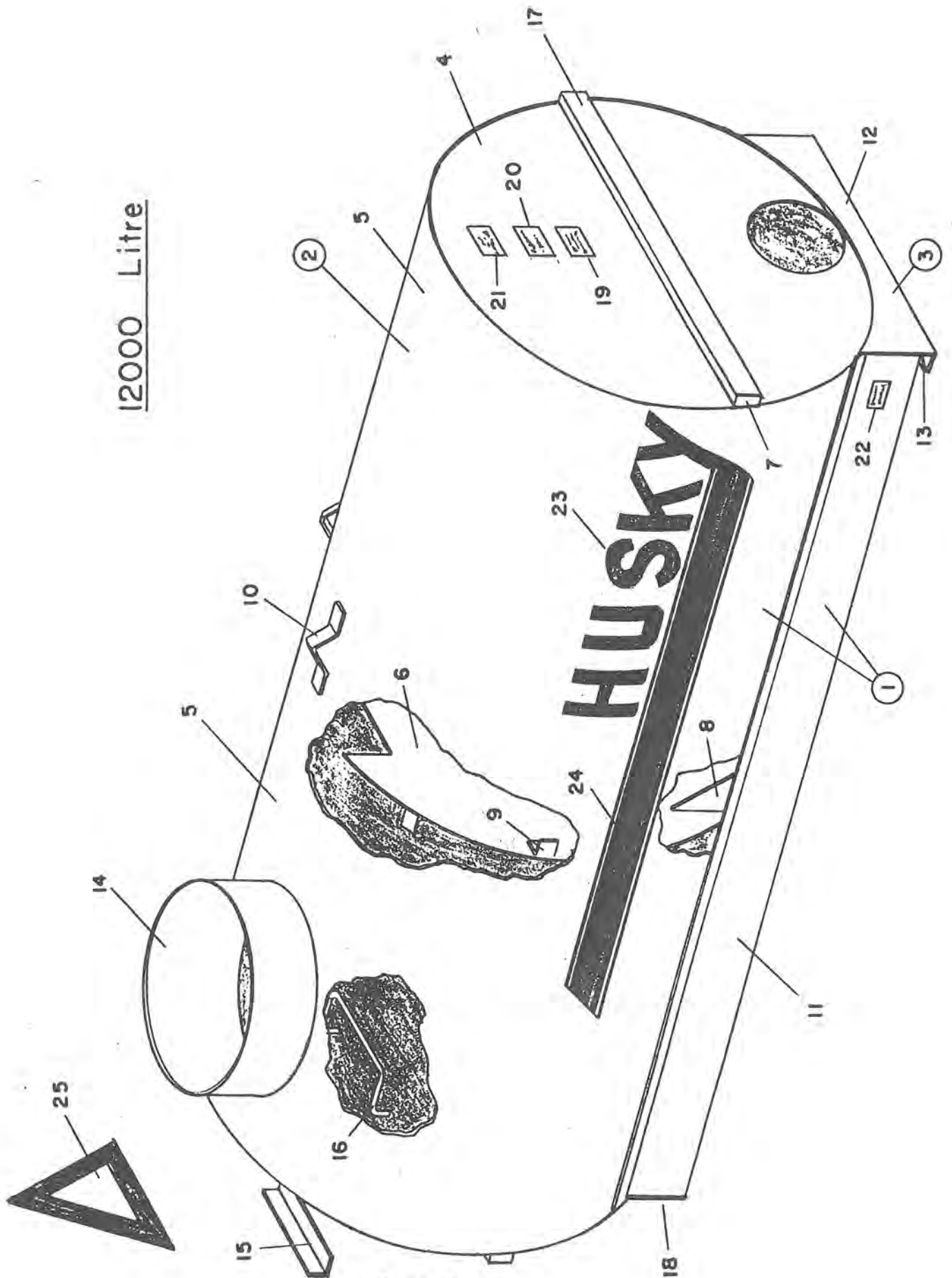
Operating Instructions:

1. Check Tire Pressure each time used -
Rib implement tires - inflate to 35 lbs
Used truck tires - inflate 65 to 70 lbs
2. Check Wheel bolts regularly - 180 lbs.
3. When not using leave valve open so discharge will not freeze.
4. When not using regularly - wash inside and out - to avoid rusting.
5. If rustproofing coating on interior shows signs of deterioration, have interior repainted, this can be done with a roller or brush and is good maintenance procedure.
6. If your spreader is equipped with brakes make sure they are working, Always make sure a big enough horse power tractor is used to operate safely.
7. EXTREME DANGER - Never enter a dirty Manure Spreader or Storage tank - one breath of Hydrogen Sulfide Gas is enough to kill.
8. CAUTION - Disc brakes will not release unless valve lever is held momentarily in opposite position. This will relieve pressure in brake line.



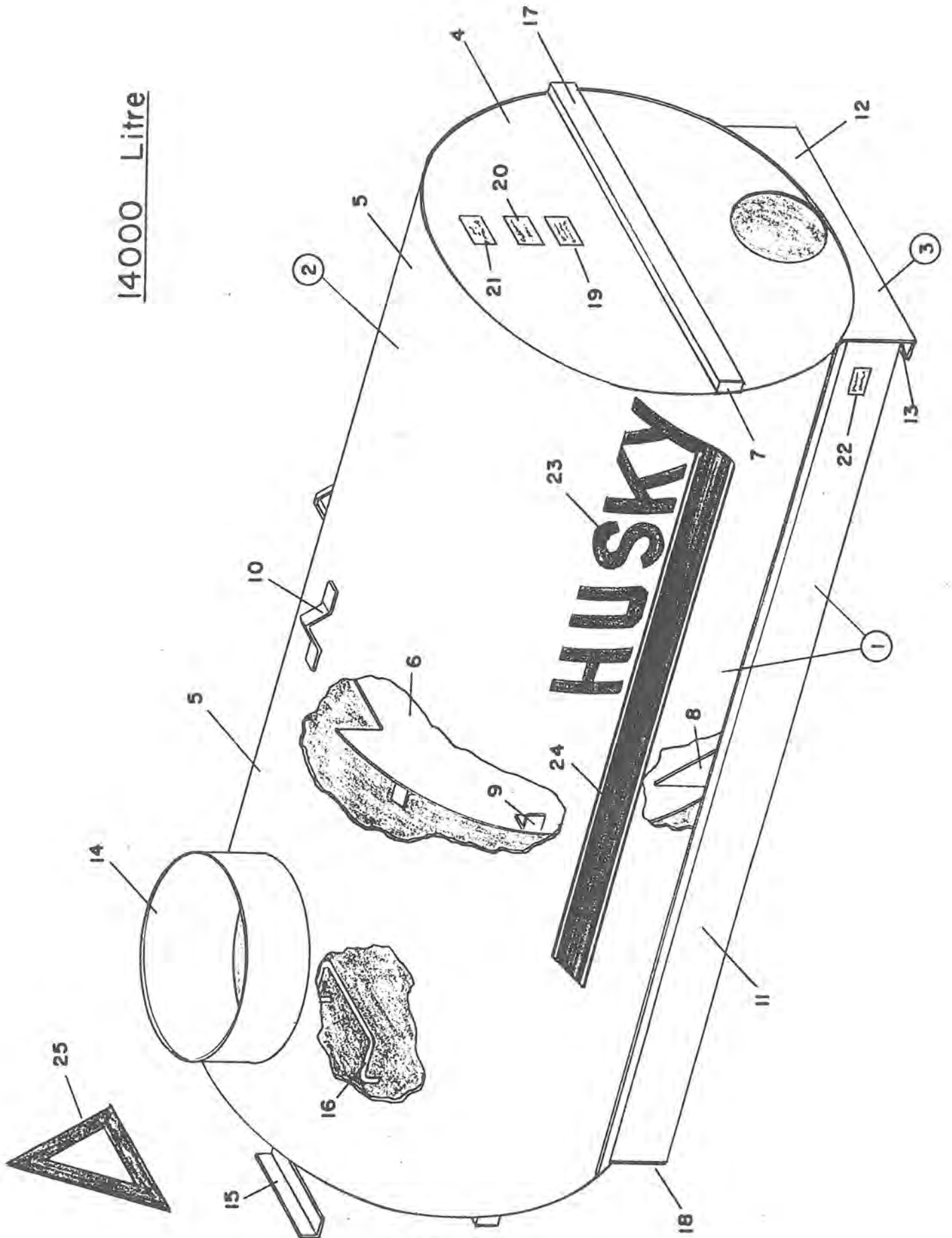
Key	Part Number	Description	Qty
1	364-01-03-000	Fan Housing Assy	1
2	364-03-00-000	Fan Assy	1
3	364-04-00-000	Fan Housing Cover Assy	1
4	364-19-00-000	Discharge Pipe Assy - 12000 & 14000 L	1
5	364-21-00-000	Splash Plate Assy	1
6	364-22-00-000	Agitator Assy	1
7	364-01-03-016	Outlet Ring	1
8	364-01-03-017	Housing Back Plate	1
9	364-01-03-018	Housing Band	1
10	364-01-03-019	Housing Flange	1
11	364-01-00-002	Fan Housing Support Pipe	1
12	364-03-00-021	Fan Shaft	1
13	364-03-00-022	Fan Back Plate	1
14	364-03-00-023	Fan Blade	4
15	364-03-00-024	Fan Blade Gusset	4
16	364-04-00-026	Housing Cover Plate	1
17	364-04-00-027	Housing Cover Plate Support	1
18	364-04-00-028	Outer Brg Mount	1
19	364-00-00-029	Flip Guard	1
20	364-01-03-062	Discharge Ring	1
21	364-01-03-063	Discharge Tube	1
22	364-19-00-064	Vertical Discharge Pipe	1
23	364-19-00-065	Horizontal Discharge Pipe	1
24	364-19-00-067	Discharge Pipe End Piece	1
25	364-06-00-038	Discharge Pipe Corner Piece	2
26	364-00-00-041	Hold Down Clamp	2
27	364-21-00-069	Splash Plate	1
28	364-21-00-070	Clamping Tube	1
29	364-21-00-071	Clamping Tube Brkt	2
30	364-21-00-072	R H Splash Plate Wing	1
	364-21-00-073	L H Splash Plate Wing	1
31	364-22-00-074	Agitator Shaft	1
32	364-22-00-075	Agitator Blade	3
33	364-00-00-076	Coupling Hose	1
34	364-00-00-077	Brg Holder	1
35	300-00-00-060	Key	1
36	300-00-00-062	Brg Plate	1
37	364-00-00-066	Flex Hose	1
38	300-14-00-000	Oil Seal & Plate	1
39	300-14-00-059	Oil Seal Plate	1
40	R20267	Oil Seal	1
41	R20192	1 1/4 Fafnir Brg	2
42	R20228	1 1/4 Wood Brg	1
43	R20296	1240 Series PTO - Short	1
44	R20304	Journal & Brg Kit	2
45	R20306	1 1/4 Round Hold Yoke	1
46	R20302	QD Yoke - 540 RPM	1
47	R20305	QD Parts Kit	
48	R02238	6" Gear Clamp #96	2
49	R02475	1 1/4" SS Gear Clamp #20 HAS	4
50	R07625	3/8 x 4 Hex Bolt	2
51	R07783	3/8 Hex Nut	8
52	R07803	3/8 Lockwasher	8
53	R07621	3/8 x 2 Hex Bolt	2
54	R07675	3/8 x 1 1/4 Hex Bolt	2
55	R07619	3/8 x 1 Hex Bolt	2
56	R07886	3/8 Lock Nut	2
57	R07677	7/16 x 1 1/4 Hex Bolt	8
58	R07784	7/16 Hex Nut	16
59	R07804	7/16 Lockwasher	16
60	R07733	7/16 x 1 1/2 Carriage Bolt	4
61	R07734	7/16 x 2 Carriage Bolt	4

12000 Litre



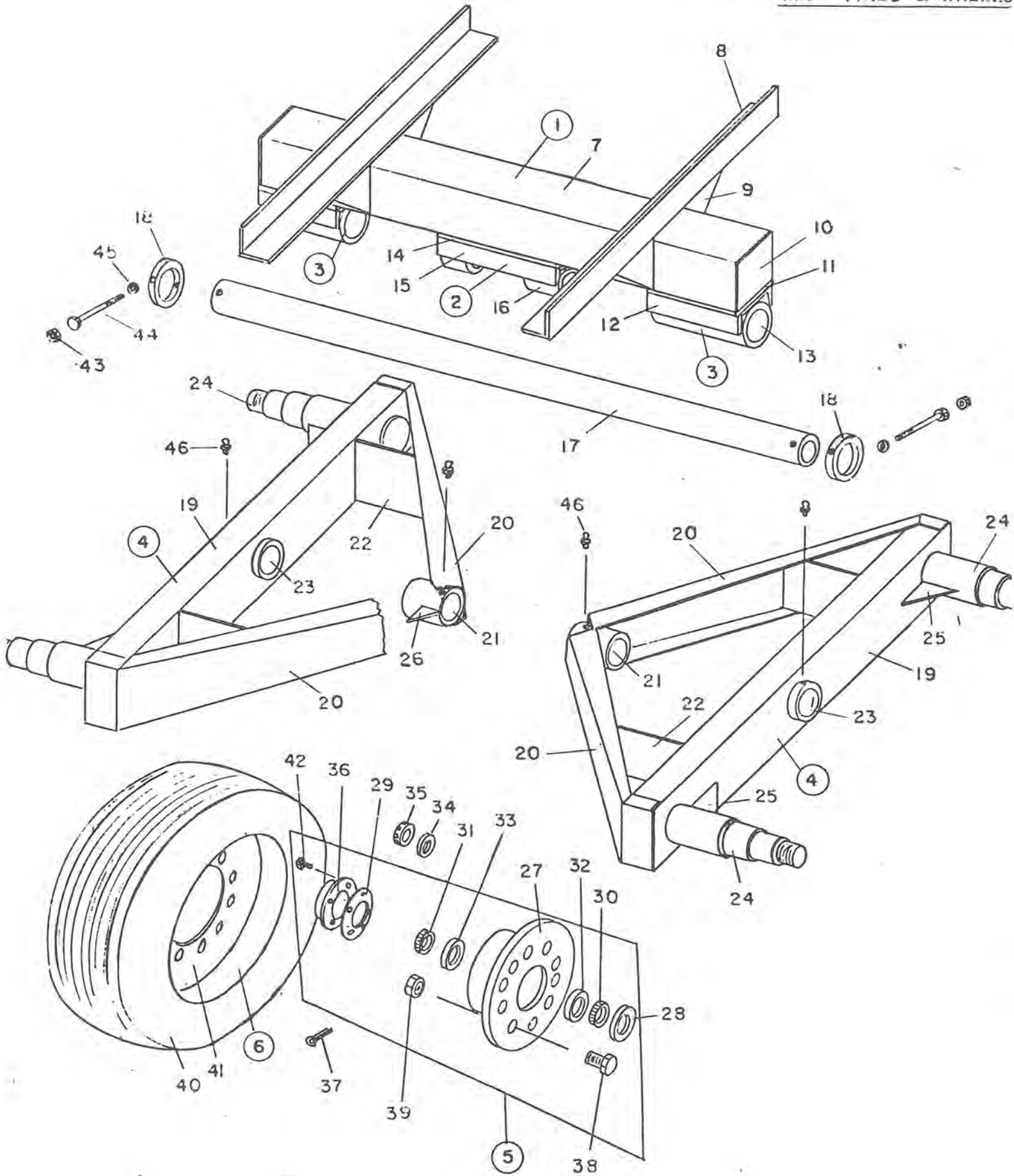
Key	Part Number	Description	Qty
1	363-09-00-000	12000 L Tank & Sill Assy	1
2	363-09-06-000	12000 L Tank Assy	1
3	363-09-07-000	12000 L Front Cross Member Assy	1
4	326-88-25-277	12000 L Tank End	2
5	326-88-25-278	12000 L Tank Shell	2
6	326-88-25-279	12000 L Baffle	1
7	330-66-00-258	Stiffener Caps	4
8	340-01-01-459	Baffle Gusset	4
9	300-01-00-016	Baffle Brkt	8
10	300-01-00-012	Lift Hook	3
11	363-09-00-049	Sill	2
12	363-09-07-051	12000 L Cross Member	1
13	364-02-05-005	Cross Member Support	1
14	364-02-00-006	Manhole	1
15	364-02-00-007	Outside Ladder	4
16	364-02-00-008	Inside Ladder	2
17	363-09-06-050	Tank Stiffener	2
18	326-89-00-284	Sill Cap	2
19	R09503	Warning Sticker	1
20	R09512	Capacity Sticker	1
21	R09509	Made In Canada Sign	1
22	R09521	Serial No	1
23	R09510	Husky Sticker	2
24	R09511	Accent Strip	2
25	R09501	Slow Moving Vehicle Sign	1

14000 Litre

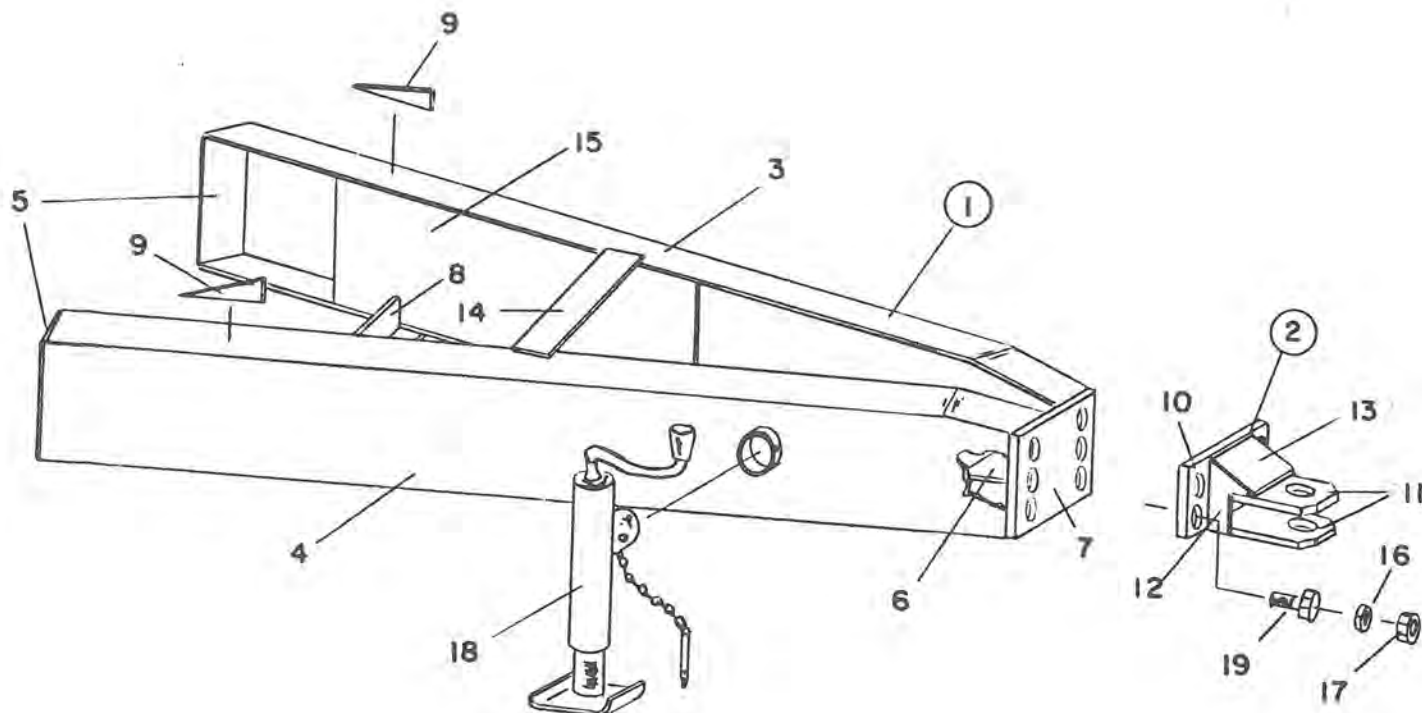


Key	Part Number	Description	Qty
1	364-02-00-000	14000 L Tank & Sill Assy	1
2	364-02-01-000	14000 L Tank Assy	1
3	364-02-05-000	14000 L Front Cross Member Assy	1
4	330-66-21-254	14000 L Tank End	2
5	330-66-21-255	14000 L Tank Shells	2
6	330-66-21-256	14000 L Baffle	1
7	330-66-00-258	Stiffener Caps	4
8	340-01-01-459	Baffle Gusset	4
9	300-01-00-016	Baffle Brkt	8
10	300-01-00-012	Lift Hook	3
11	364-02-00-003	14000 L Sill	2
12	364-02-05-004	14000 L Cross Member	1
13	364-02-05-005	Front Cross Member Support	1
14	364-02-00-006	Manhole	1
15	364-02-00-007	Outside Ladder	4
16	364-02-00-008	Inside Ladder	2
17	364-02-01-009	Tank Stiffener	2
18	330-67-00-260	Sill Cap	2
19	R09503	Warning Sticker	1
20	R09512	Capacity Sticker	1
21	R09509	Made In Canada Sign	1
22	R09521	Serial No	1
23	R09510	Husky Sticker	2
24	R09511	Accent Strip	2
25	R09501	Slow Moving Vehicle Sign	1

330-91-00-000 AXLE KIT
W/O TIRES & WHEELS



Key	Part Number	Description	Qty
1	330-69-00-000	Base Frame Assy	1
2	330-69-22-000	Centre Sleeve Assy	1
3	325-62-18-000	Stationary Sleeve Assy	2
4	330-91-36-000	Walking Beam Assy w/Welded Spindles	2
5	340-43-00-000	Husky 10 Bolt Hub Complete	4
6	340-19-00-000	Tire & Wheel Assy - 18 x 22.5	4
7	330-69-00-261	Cross Axle Support	1
8	315-35-00-131	Sill Angle Plate	2
9	315-31-00-116	Double Gusset	4
10	325-62-00-238	Cover Plate	2
11	325-62-18-239	Long Bar Spacer	2
12	325-62-18-240	Long Channel Spacer	2
13	315-35-00-130	Stationary Sleeve	2
14	330-69-22-262	Centre Bar Spacer	1
15	330-69-22-263	Centre Channel Spacer	1
16	330-69-22-264	Centre Sleeve	2
17	330-00-00-265	Main Axle Tube	1
18	315-00-00-137	Retaining Ring	2
19	325-63-00-245	Walking Beam	2
20	325-63-00-246	Tandem Side Arm	4
21	325-63-00-247	Inside Rocker Sleeve	2
22	325-63-00-248	Vertical Brace	4
23	315-33-00-127	Rocker Outer Sleeve	2
24	330-91-36-485	Welded Spindle - 10 Bolt Hub	4
25	330-91-36-486	Spindle Gusset	4
26	325-63-00-244	Tandem Gusset	4
27	340-43-00-451	Husky 10 Bolt Hub w/Cups	4
28	R20083	Seal	4
29	R20084	Dust Cap Seal	4
30	R20086	Inner Cone	4
31	R20087	Outer Cone	4
32	R20088	Inner Cup	4
33	R20089	Outer Cup	4
34	R20091	Spindle Washer 1 13/16"	4
35	R20092	Spindle Nut 1 3/4 - 12 UNF	4
36	R20093	Dust Cap	4
37	R20095	Cotter Pin 5/16 x 4	4
38	R20096	Wheel Bolts	40
39	R20097	Wheel Nuts	40
40	R20011	Used Tire - 18 x 22.5	4
41	R20059	10 Bolt Wheel 13.5 x 22.5	4
42	R07690	Dust Cap Bolts 5/16 x 5/8	16
43	R07785	1/2" Hex Nut	2
44	R07644	1/2" x 5 Hex Hd Bolt	2
45	R07805	1/2" Lock Washer	2
46	R08183	1/4" Grease Fitting	4



Key	Part Number	Description	Qty
1	364-01-02-000	Tongue Assy	1
2	364-05-00-000	Hitch Assy	1
3	364-01-02-010	R H Tongue Member	1
4	364-01-02-011	L H Tongue Member	1
5	364-01-02-012	Tongue Caps	2
6	364-01-02-013	Hitch Gusset	1
7	364-01-02-014	Hitch Bolt Plate	1
8	364-01-02-015	Cross Member	1
9	364-01-00-001	Back Tongue Gusset	2
10	364-05-00-030	Hitch Back Plate	1
11	364-05-00-031	Hitch Plate	2
12	364-05-00-032	Hitch Side Gusset	2
13	364-05-00-033	Hitch Upper Gusset	1
14	364-01-02-079	Tongue Top Cross Member	1
15	364-01-02-078	Tongue Stiffener	2
16	R07807	3/4 Lock Washer	4
17	R07787	3/4 Hex Nut	4
18	R09750	Tongue Jack	1
19	R07655	3/4 X 2 1/2 Hex Bolt	4