

Office Copy 25 made
Dec 19, 1996
July 30/97-11m

Date Purchased _____ Machine Serial No. _____

Size Of Pump _____ Options _____

Please Note:

The Key Number System In This Parts Book Is Arranged As Follows:

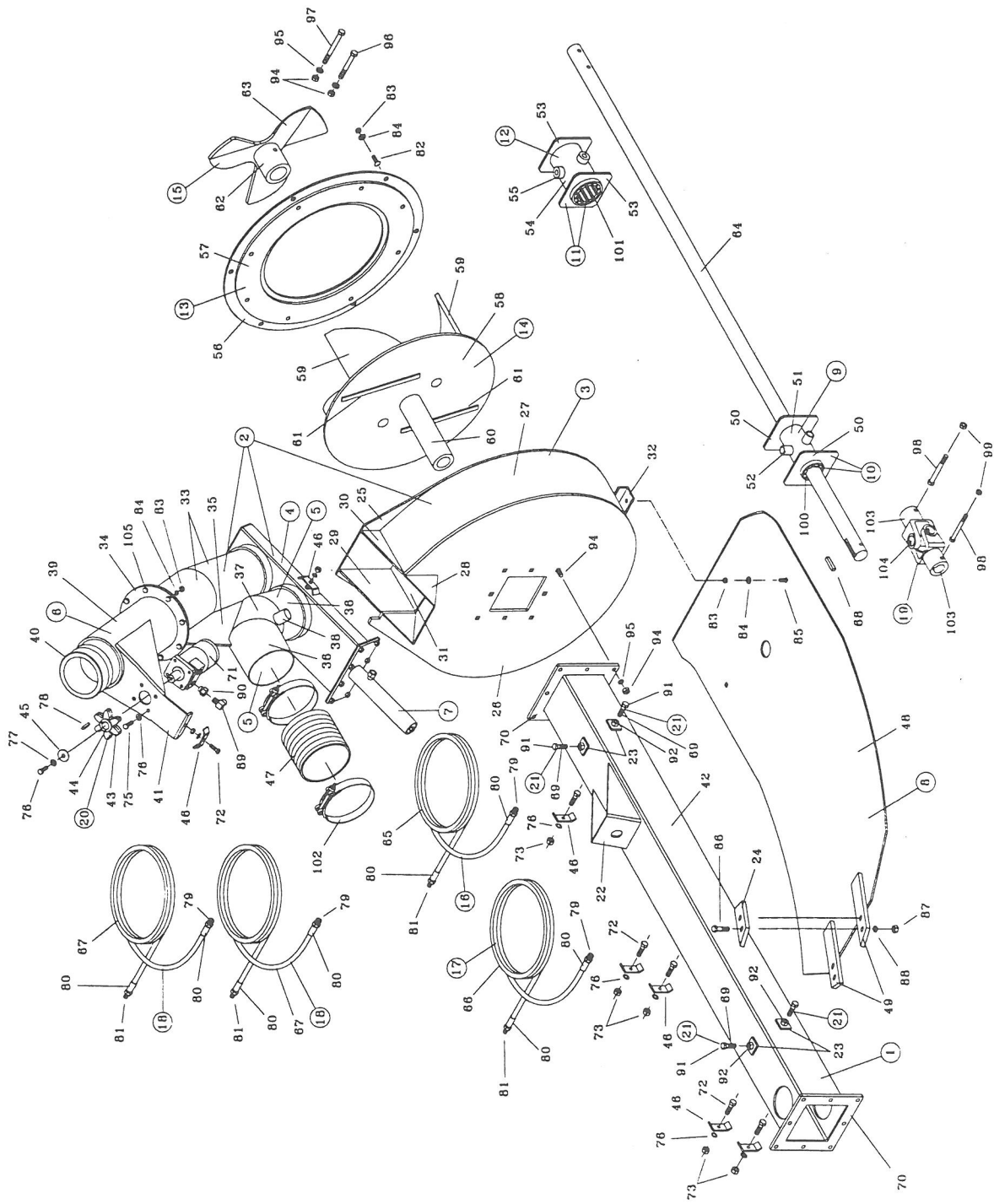
- 0 -- Key Number With One Circle Denotes Main Assemblies
- Key Numbers Not Circled Are Individual Parts.

Please Order Parts By Number

TIGER 6" LAGOON

HUSKY LIQUID MANURE PUMP

1. See Your Operator Manual For Full Operating Instructions. If Not Supplied Please Phone Husky Farm Equipment (519) 846 - 5329
2. Always Check Both Knuckles On P.T.O. To Make Sure There Is Equal Blend On Both Ends When Operating.
3. Don't Try And Extend Wheels If Pump Is Under Heavy Crust. As It May Collapse The Undercarriage.
4. For Open Centre Hydraulics On Tractor, Use Short Plug On Right Side Of Hydraulic Control Valve. For Closed Centre Hydraulics Use Long Plug With Oring. Oil Must Flow In Left End Of Valve.
5. Before Operating Extend Stabilizing Legs To Support Pump While Agitating. If Legs Are Not Down Pump Could Roll Over While Agitating.
6. Wash Pump Off After Each Use. This Will Extend The Life Of The Pump.
7. Make Sure Support Legs For Discharge Pipe Are Locked In Place And Chain Between Legs Is Installed. Tie A Heavy Weight To The Discharge Pipe As It Could Lift Up And Damage Pipe When Pumping.



HOUSING CONTINUED

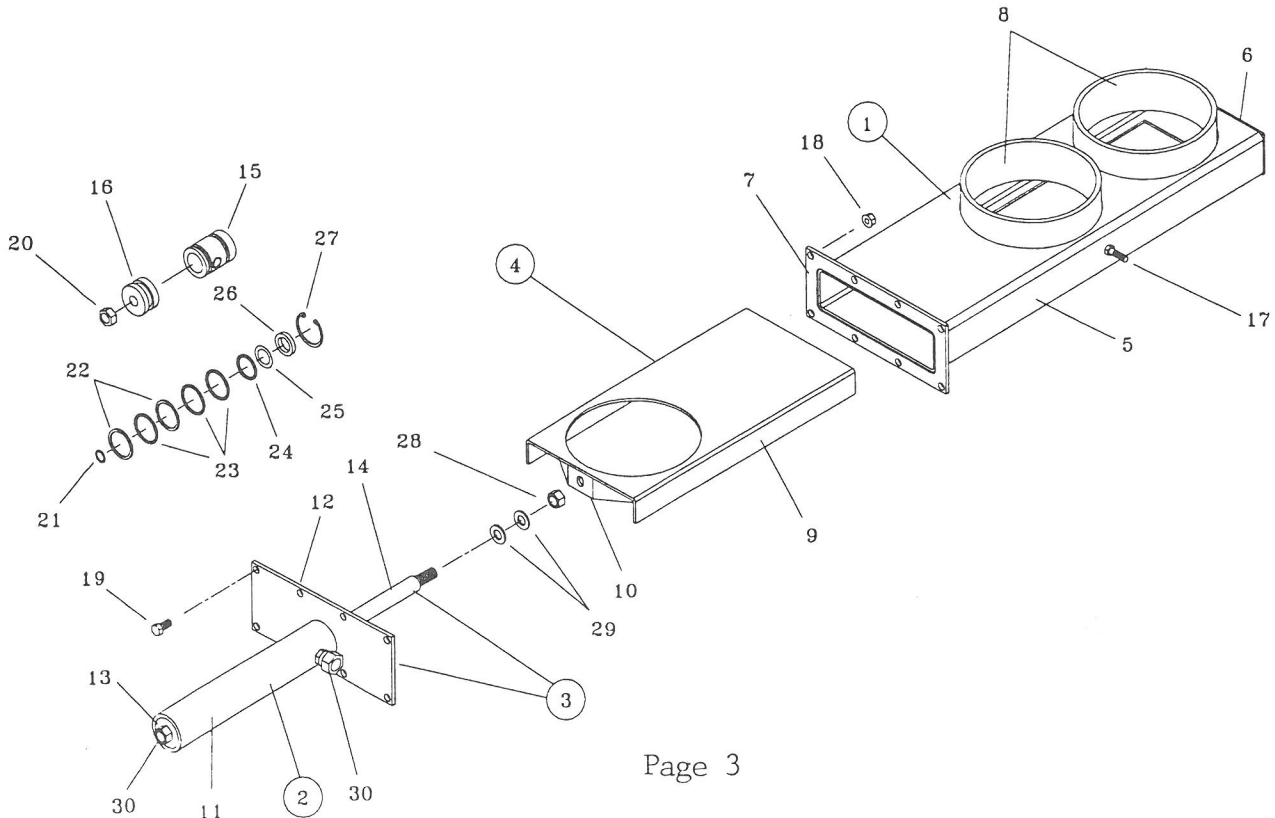
<u>Keys</u>	<u>Parts Number</u>	<u>Description</u>	<u>Qty</u>
53	296-09-01-052	2 3/4 Marine Brg Holder Flange	2
54	244-13-01-320	Marine Brg Holder	1
55	244-13-01-322	Sleeve Set Screw Pipe	2
56	296-10-00-053	Cover Plate	1
57	296-10-00-054	Cover Plate Support	1
58	296-11-00-055	Impeller Back Plate	1
59	296-11-00-056	Impeller Blade	4
60	244-18-00-231	Hub	1
61	290-47-00-156	Impeller Wiper Arm	2
62	296-12-00-058	Chopper Hub	1
63	296-12-00-059	Chopper	1
64	296-00-00-032	Lower Drive Shaft	1
65	296-28-00-095	Hydraulic Hose	1
66	296-29-00-096	Hydraulic Hose	1
67	296-30-00-097	Hydraulic Hose	2
68	270-00-00-075	3/8 Key - 50 Mm Long	1
69	250-59-00-141	S.S. Set Screw Reddi Rod	4
70	296-01-00-015	Flange	2
71	R20851	Hydraulic Motor Charlyn	1
72	R07620	3/8 X 1 1/2 Hex Bolt	7
73	R07783	3/8 Hex Nut	7
74	R07803	3/8 Lock Washer	11
75	R07670	3/8 X 7/8 Hex Bolt	4
76	R07601	1/4 X 1 Hex Bolt	1
77	R07801	1/4 Lock Washer	1
78	R11114	Key	1
79	R20803	3/8 - 18 N P T Male Solid Stem	4
80	R21231	Ferrule	8
81	R20806	3/8 - 18 N P T Male Swivel Stem	4
82	R07731	7/16 X 1 Carriage Bolt	6
83	R07784	7/16 Hex Nut	16
84	R07804	7/16 Lock Washer	16
85	R07736	7/16 X 1 1/2 Carriage Bolt	2
86	R07747	5/8 X 2 Hex Bolt	2
87	R07786	5/8 Hex Nut	2
88	R07806	5/8 Lock Washer	2
89	R21366	3/8 Hydraulic Sheet Elbow	2
90	R02043	1/2 X 3/8 Bushing	2
91	R08235	1/2 -13 S S Hex Nut	4
92	R08046	1/2 - 13 Jam Nut	4
93	R07743	1/2 X 1 1/2 Carriage Bolt	8
94	R07785	1/2 Hex Nut	10
95	R07805	1/2 Lock Washer	10
96	R07643	1/2 X 4 Hex Bolt Gr-8	1
97	R07641	1/2 X 3 Hex Bolt	1
98	R07634	7/16 X 4 Hex Bolt	2
99	R07891	7/16 2 Way Lock Nut	2
100	R20280	Urethane For 1 3/4 Marine Brg	1
101	R20224	Urethane For 2 3/4 Marine Brg	1
102	R02484	6 " Clamp	2
103	R20384	1 3/4 Round Hole Yoke	2
104	R20385	Journal & Brg Kit	1
105	R07671	7/16 X 1 1/4 Hex Bolt	8

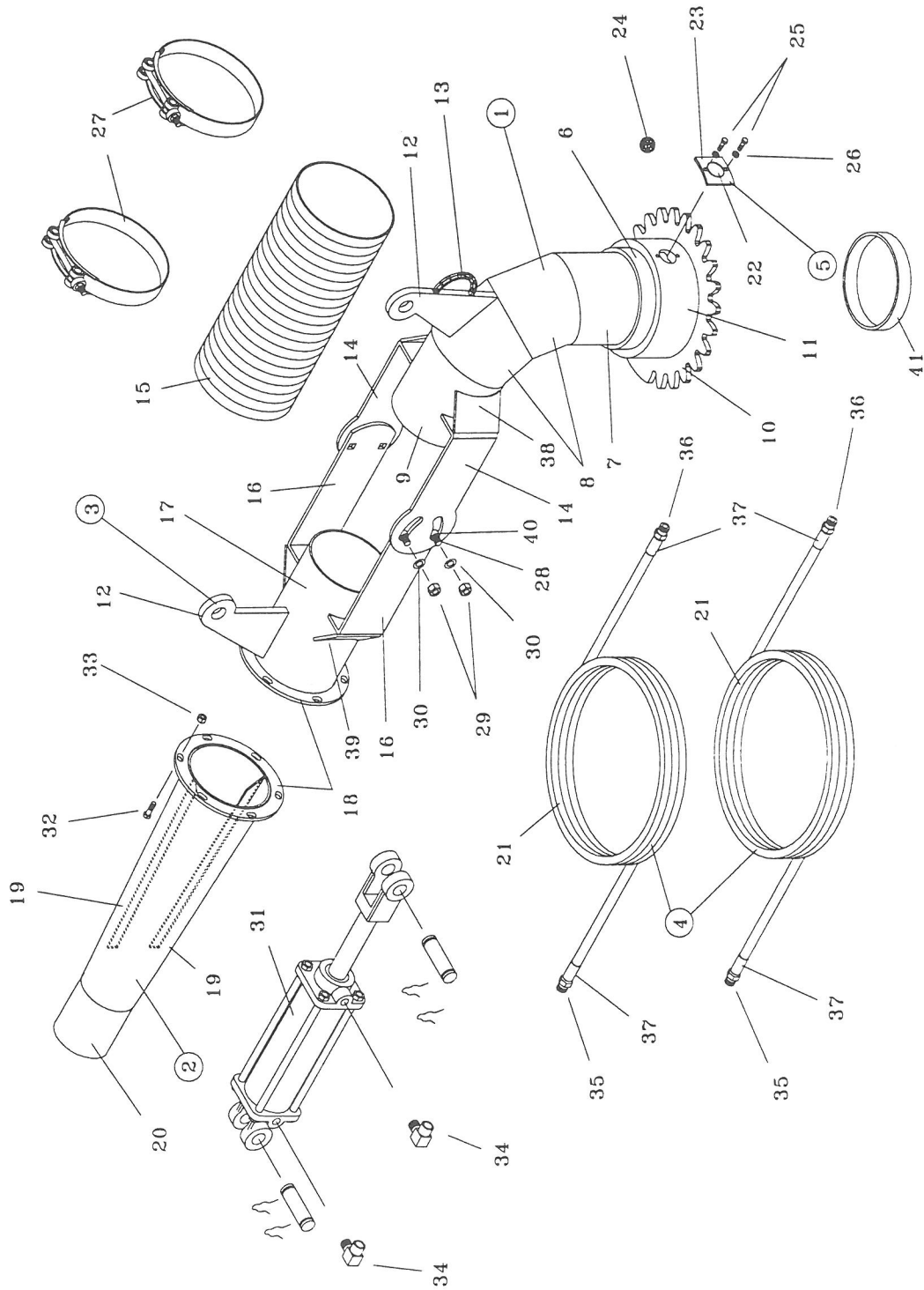
HOUSING

<u>Keys</u>	<u>Parts Number</u>	<u>Description</u>	<u>Qty</u>
1	296-02-00-000	Lower Drive Shaft Tube Assy	1
2	296-06-00-000	Impeller Housing Assy Complete	1
3	296-06-01-000	Impeller Housing Assy	1
4	296-06-02-000	Valve Body Assy	1
5	296-06-05-000	Lower Discharge Elbow Assy	1
6	296-06-06-000	Valve To Rotator Pipe Assy	1
7	296-35-00-000	Hydraulic Cylinder Kit	1
8	296-07-000-000	Slide Assy	1
9	296-08-00-000	1 3/4 Marine Brg & Holder Complete	1
10	296-08-01-000	Marine Brg Holder Assy	1
11	296-09-00-000	2 3/4 Marine Brg & Holder Complete	1
12	296-09-01-000	2 3/4 Marine Brg Holder Assy	1
13	296-10-00-000	Cover Plate Assy	1
14	296-11-00-000	Impeller Assy	1
15	296-12-00-000	Chopper Assy	1
16	296-28-00-000	Hyd Hose Assy - Control To Cylinder (Long)	1
17	296-29-00-000	Hyd Hose Assy - Control To Cylinder (Short)	1
18	296-30-00-000	Hyd Hose Assy - Control To Turn Motor	2
19	270-32-00-000	Knuckle Assy	1
20	290-25-00-000	6 Tooth Sprocket Assy	1
21	250-59-00-000	Set Screw Assy	4
22	296-02-00-020	Lower Reinforcing Rod Brkt	1
23	250-05-00-126	S.S. Set Screw Lug	4
24	270-01-00-236	Slide Arm Brkt	2
25	296-06-01-034	Housing Bottom Plate	1
26	296-06-01-035	Housing Upper Plate	1
27	296-06-01-006	Housing Band	1
28	296-06-01-037	Housing To Valve Plate	1
29	296-06-01-038	R.H. Filler Plate	1
30	296-06-01-039	L.H. Filler Plate	1
31	296-06-01-040	Filler Plate	1
32	290-03-01-131	Slide Hold Down Angle	1
33	296-06-06-048	Short Extension Pipe	2
34	296-06-00-102	Flange	2
35	296-06-00-050	Gusset	1
36	296-06-05-046	Lower Elbow End Piece	2
37	296-06-05-047	Middle Elbow Piece	1
38	296-06-05-091	Drain Pipe	1
39	296-06-06-049	Long Extension Pipe	1
40	290-18-00-090	Inner Roller Holder	1
41	290-18-00-101	Hydraulic Motor Mount Plate	1
42	296-02-00-019	Lower Drive Shaft Tube	1
43	290-25-00-096	6 Tooth Sprocket	2
44	290-25-00-097	Sprocket Sleeve	1
45	290-00-00-098	Sleeve Cap	1
46	290-00-00-167	Hydraulic Hose Clip	7
47	296-00-00-071	Flex Hose	1
48	290-36-00-129	Slide	1
49	290-36-00-130	Slide Brkt	2
50	296-08-01-051	1 3/4 Marine Brg Holder Flange	2
51	250-76-34-180	Urethane Brg Sleeve	1
52	242-22-27-236	Sleeve Set Screw Pipe	2

VALVE

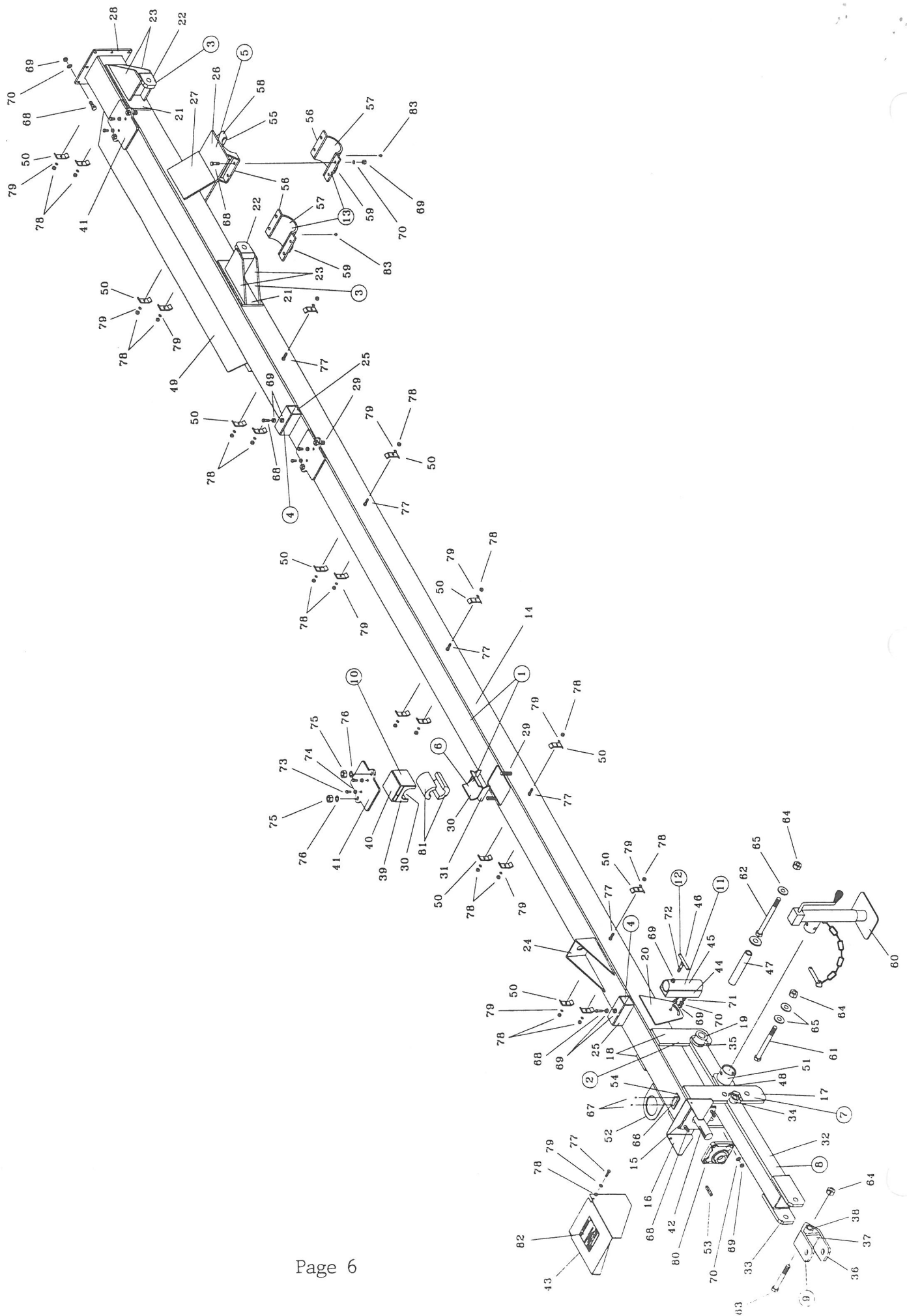
<u>Keys</u>	<u>Parts Number</u>	<u>Description</u>	<u>Qty</u>
1	296-06-02-000	Valve Body Assembly	1
2	296-33-00-000	Valve Cylinder Welded Assembly	1
3	296-35-00-000	Hydraulic Cylinder	1
4	296-34-00-000	Valve Gate Assembly	1
5	296-06-02-041	Valve Body	1
6	275-01-02-062	End Cap	1
7	275-01-02-012	Flange	1
8	275-01-02-091	Valve Extension Pipe	2
9	296-34-00-043	Valve Gate	1
10	296-34-00-044	Valve Gate Brkt	1
11	296-33-00-042	Hydraulic Cylinder Tube	1
12	275-01-09-093	Hydraulic Cylinder Flange	1
13	340-36-18-431	End Cap	1
14	296-00-00-045	Hydraulic Cylinder Shaft	1
15	340-36-00-434	Wiper Block	1
16	340-36-00-435	Cylinder Plunger	1
17	R07620	3/8 X 1 1/2 Hex Bolt	2
18	R07794	3/8" Flange Nut	10
19	R07619	3/8 X 1 Hex Bolt	10
20	R07885	1/2 Lock Nut	1
21	R20865	O Ring #11-014	1
22	R20867	Back Ups #8-218	2
23	R20866	O Ring #11-218	3
24	R20771	O Ring #11-210	1
25	R20862	Back Up #210	1
26	R20774	Rod Wiper	1
27	R07967	Retaining Ring	1
28	R08229	1/2 S.S. Nylon Insert Lock Nut	1
29	R08222	1/2 S.A.E. S.S. Flat Washer	2
30	R21287	1/4 X 3/8 Str. Swivel Adapter	2





AGITATOR

<u>Keys</u>	<u>Parts Number</u>	<u>Description</u>	<u>Qty</u>
1	290-30-00-000	Agitator Elbow Assembly	1
2	244-05-44-000	Cone Assembly	1
3	244-05-46-000	Cone Extension Assembly	1
4	290-28-00-000	Hydraulic Hose Assembly	2
5	275-05-00-000	Cap Assembly	1
6	290-30-00-114	Filler Pipe	1
7	290-30-00-115	Elbow Base Pc	1
8	290-30-00-116	Elbow Middle Pc	2
9	290-30-00-117	Elbow Top Pc	1
10	290-30-00-118	Rotator Sprocket	1
11	290-30-00-128	Outer Roller Sleeve	1
12	270-63-29-191	Cylinder Bracket	1
13	275-02-00-119	Hydraulic Hose Holder	1
14	244-05-43-276	Main Pivot Brkt	2
15	270-63-00-187	Flex Hose	1
16	244-05-46-277	Inner Pivot Brkt	2
17	244-05-46-284	Extension Pipe	1
18	364-19-00-087	Flange	2
19	244-05-44-278	Cone (Half)	2
20	244-05-44-279	Cone Extension Pipe	1
21	290-28-00-112	Hydraulic Hose	2
22	275-05-00-031	Cap Plug	1
23	275-05-00-032	Cap Plate	1
24	R20219	1" Nylon Ball	19
25	R08233	1/4 X 5/8 Ss. Cap Screw	2
26	R08234	1/4 Ss Lock Washer	2
27	R02482	6" Bauer Super Clamp	2
28	R07733	7/16 X 1 1/2 Carriage Bolt	4
29	R08178	7/16-14 Unc Nylok Nut	4
30	R07824	7/16 Flat Washer	4
31	R20725	2 X 8 Hydraulic Cylinder	1
32	R07619	3/8 X 1 Hex Bolt	6
33	R07783	3/8 Hex Nut	6
34	R21366	3/8" Hyd Street Elbow	1
35	R20803	3/8-18 Npt Solid Male Stem	2
36	R20806	3/8-18 Npt Swivel Male Stem	2
37	R21231	Ferrule	4
38	290-30-00-162	Gusset	2
39	244-05-46-301	Gusset	2
40	244-05-00-281	Spacer Pipe	4
41	R02366	6" Gasket	1



MAIN SHAFT TUBE

<u>Keys</u>	<u>Parts Number</u>	<u>Description</u>	<u>Qty</u>
1	296-01-00-000	Upper Drive Shaft Tube Assy	1
2	296-01-01-000	Tongue Pivot Arm Assy	2
3	296-01-02-000	Cylinder Brkt Assy	2
4	296-01-03-000	Discharge Adjustment Sleeve Assy	2
5	296-01-04-000	Carriage Cross Support Assy	1
6	296-01-05-000	Bearing Base Assy	3
7	296-01-06-000	L.H. Adjustment Arm Assy	1
8	296-03-00-000	Tongue Assy	1
9	296-04-00-000	Hitch Assy	1
10	296-05-00-000	Upper Brg Holder Assy	3
11	296-21-00-000	Pivot Assy	1
12	296-22-00-000	Tee Handle	1
13	290-13-00-000	Clamp Assy	2
14	296-01-00-001	Upper Drive Shaft Tube	1
15	296-01-00-002	Bearing Flange	1
16	296-01-00-003	P.T.O. Guard Mount	1
17	296-01-00-004	Adjustment Arms	2
18	296-01-01-005	Pivot Arms	2
19	296-01-01-006	Pivot Arm Bushing	2
20	296-01-00-007	Pivot Plate	1
21	296-01-02-008	Cylinder Brkt Back Plate	2
22	296-01-02-009	Cylinder Brkt	2
23	296-01-02-010	Cylinder Brkt Gusset	4
24	296-01-00-011	Upper Reinforcing Rod Brkt	1
25	296-01-03-012	Adjustment Sleeve	2
26	296-01-04-013	Cross Support Plate	1
27	296-01-00-014	Cross Support Gusset	2
28	296-01-00-015	Lower Flange	1
29	296-01-00-016	Cap Reddi Thread	6
30	296-01-05-017	Bearing Holder Half	6
31	296-01-05-018	Lower Stand	6
32	296-03-00-021	Tongue	1
33	296-03-00-022	Tongue Plate	2
34	296-03-00-023	Adjustment Bushing	1
35	296-03-00-024	Tongue Pivot Bushing	1
36	296-04-00-025	Hitch	1
37	296-04-00-026	Hitch Reinforcing Plate	1
38	296-04-00-027	Hitch Sleeve	1
39	296-05-00-028	Upper Retaining Plate	6
40	296-05-00-029	Upper Bearing Cover	3
41	296-00-00-030	Tube Cover Plate	3
42	296-00-00-031	Upper Drive Shaft	1
43	296-00-00-033	P.T.O. Guard	1
44	296-21-00-082	Pivot Channel	1
45	296-21-00-083	Pivot Tube	1
46	296-22-00-084	Tee Handle	1
47	296-00-00-100	Pivot Pin	1
48	296-01-06-101	Jack Bracket	1
49	296-01-00-104	Tube Reinforcing Plate	2
50	290-00-00-167	Hydraulic Hose Clip	19
51	364-35-00-245	Tongue Jack Brkt	1
52	290-32-00-121	P.T.O. Holder	1

MAIN SHAFT TUBE CONTINUED

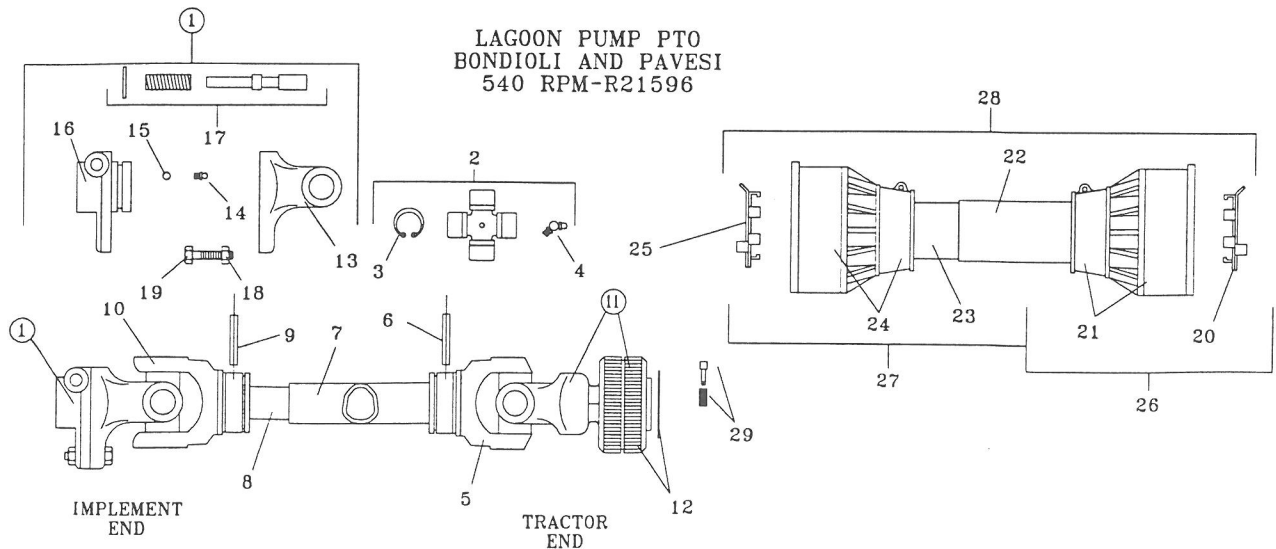
<u>Keys</u>	<u>Parts Number</u>	<u>Description</u>	<u>Qty</u>
53	270-00-00-075	Key	1
54	340-01-00-498	Serial Number Plate	1
55	290-12-01-054	Cross Support Half Tube	2
56	290-13-00-055	Flange	8
57	290-13-00-056	Half Tube W/Grease Fitting	2
58	290-12-00-172	Reinforcing Plate	4
59	290-13-00-173	Clamp Support	4
60	R09751	Side Wind Jack	1
61	R07859	1" - 8 U.N.C. X 9" Hex Bolt	1
62	R08285	1" - 8 U.N.C. X 10" Hex Bolt	1
63	R07668	1" - 8 U.N.C. X 7" Hex Bolt	1
64	R07882	1" - 8 U.N.C. Hex Lock Nut	3
65	R07828	1" Flat Washer	4
66	R09071	Serial Number	1
67	R08152	#6 X 1/4" Pan Head Screw	2
68	R07638	1/2 X 1 1/2 Hex Bolt	22
69	R07785	1/2" Hex Nut	26
70	R07805	1/2 Lock Washer	20
71	R07674	1/2 X 1 1/4 Hex Bolt	2
72	R07639	1/2 X 2 Hex Bolt	1
73	R07671	7/16 X 1 1/4 Hex Bolt	6
74	R07784	7/16 Hex Nut	6
75	R07786	5/8 Hex Nut	6
76	R07806	5/8 Lock Washer	6
77	R07675	3/8 X 1 1/4 Hex Bolt	21
78	R07783	3/8 Hex Nut	21
79	R07803	3/8 Lock Washer	21
80	R20188	1 3/4 Flange Brg	1
81	R20236	1 3/4 Split Rd Wood Brg	3
82	R09785	"Danger Driveline" Decal	1
83	R08183	1/4 - 28 Straight Grease Fitting	2

6" LAGOON BONDOLI PTO

R21597 -1000 RPM

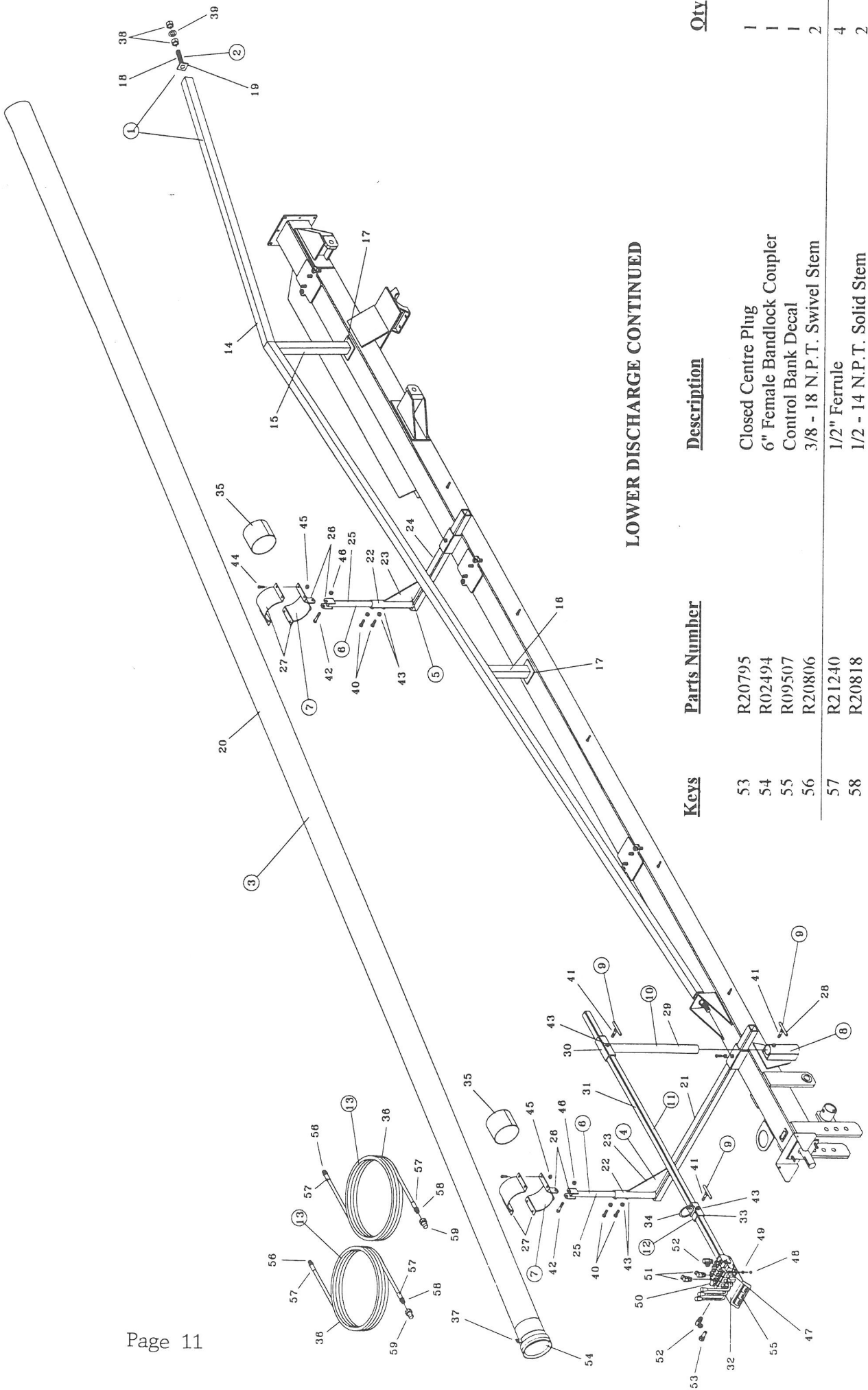
R21596 - 540 RPM

<u>Keys</u>	<u>Mfg#</u>	<u>R#</u>	<u>Description</u>	<u>Qty</u>
1	606808080	R21642	Torque Lim. Sb8	1
2	41208	R21614	Cross Journal Assembly	2
3	338023000	R21621	Circlip	8
4	348004000	R21655	Grease Nipple	2
5	204086860	R21620	Outer Tube Yoke	1
6	341054000	R21613	Flexible Pin	1
7	225730473	R21630	Cm Cardan Tube	1
8	225690473	R21631	Cm Cardan Tube	1
9	341055000	R21612	Flexible Tube	1
10	204086861	R21619	Inner Tube Yoke	1
11	572083751	R21640	1 3/8-21 Tooth Qd Yoke W/ Sleeves	*
	572080351	R21641	1 3/8-6 Tooth Qd Yoke W/ Sleeves	*
12	240003551	R21713	R.S. Collar Kit	1
13	213080020	R21624	Yoke	1
14	348012000	R21672	5/16 Grease Zerk	1
15	362006000	R21539	5/16 Ball	24
16	232088851	R21733	Hub	1
17	401000028	R21675	Push Pin	1
18	M12-1.75X65	R21602	M12 X 65 Hex Bolt	1
19	M12-1.75	R21604	M12 Ny-Lock Nut	1
20	255080005	R21609	O. Bearing 8-9-10	1
21	517080071	R21610	O. Cone Sets N8-9	1
22	236840402	R21633	Cm Outer Safety Tube	1
23	236840402	R21634	Cm Inner Safety Tube	1
24	517080061	R21611	I. Cone Sets N8-9	1
25	255080006	R21608	I. Bearing 8-9-10	1
26	5Ne8066Nn	R21635	Half Safety Guard - Outer	1
27	5Ne8066Nn	R21636	Half Safety Guard - Inner	1
28	5N08066Nn	R21637	Safety Guard Complete	1
29	403000001	R21714	Push Pin Complete - 1 3/8-6 Tooth	*
	403000013	R21716	Push Pin Complete - 1 3/8-21 Tooth	*



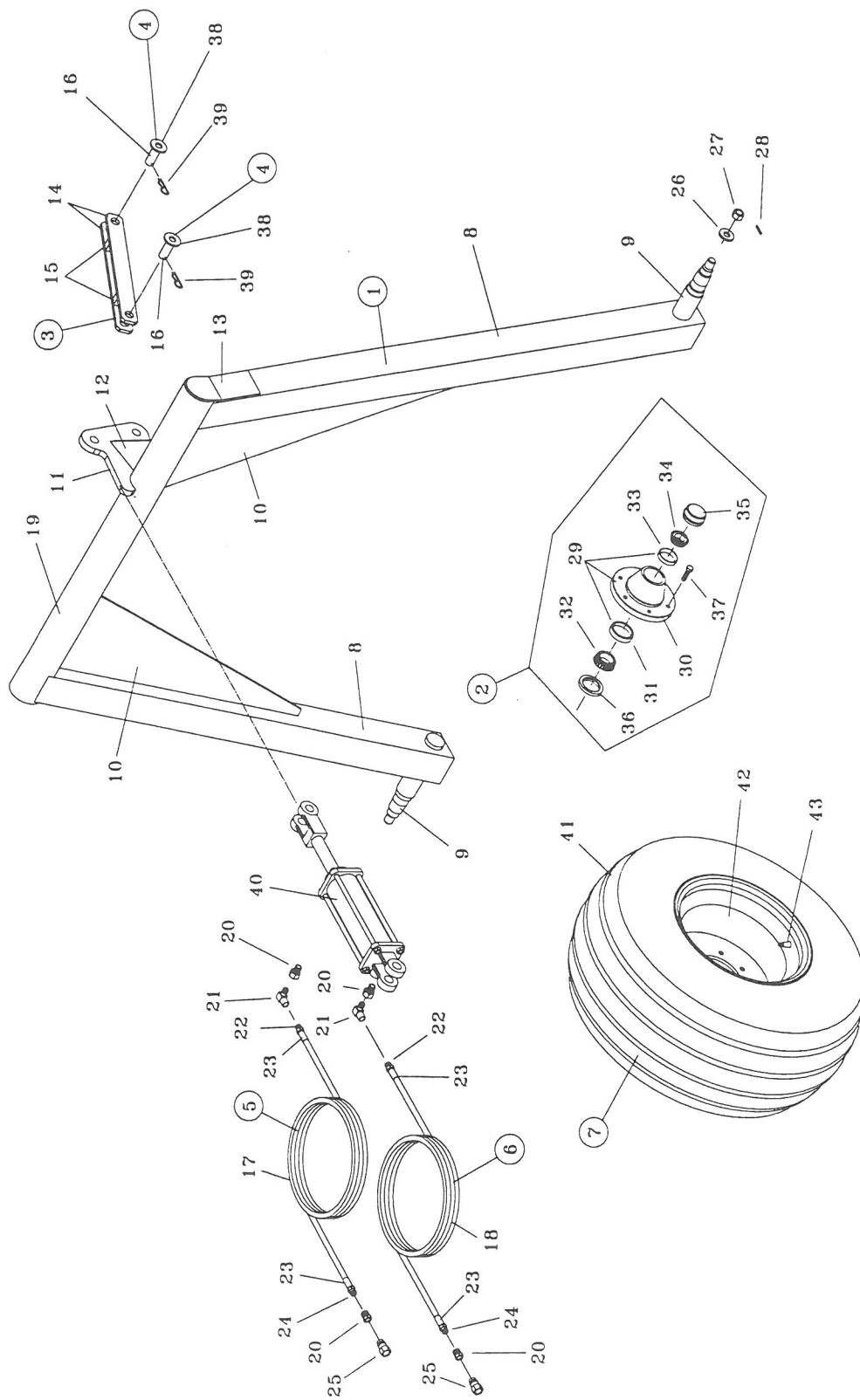
LOWER DISCHARGE

<u>Keys</u>	<u>Parts Number</u>	<u>Description</u>	<u>Qty</u>
1	296-14-00-000	Reinforcing Bar Assy	1
2	296-14-01-000	Lug Assy	1
3	296-15-00-000	Lower Aluminum Discharge Pipe Assy	1
4	296-17-00-000	Long Discharge Pipe Holder Assy	1
5	296-18-00-000	Short Discharge Pipe Holder Assy	1
6	296-19-00-000	Adjustment Bar Assy	2
7	296-20-00-000	Pipe Saddle Assy	2
8	296-21-00-000	Pivot Assy	1
9	296-22-00-000	Tee Handle Assy	3
10	296-23-00-000	Control Bank Holder Adj Assy	1
11	296-24-00-000	Control Bank Holder Assy	1
12	296-25-00-000	Adjustable Hyd Hose Holder Assy	1
13	290-33-00-000	1/2" Hydraulic Hose Assy - To Tractor	2
14	296-14-00-065	Reinforcing Bar	1
15	296-14-00-066	Long Upright Bar	1
16	296-14-00-067	Short Upright Bar	1
17	296-14-00-068	Upright Base Plate	2
18	296-14-01-069	Lug Reddi Thread	2
19	296-14-01-070	Lug Plate	2
20	296-15-00-072	Lower Aluminum Discharge Pipe	1
21	296-17-00-075	Cross Arm - Long	1
22	296-17-00-076	Vertical Arm	2
23	296-17-00-077	Gusset	2
24	296-18-00-078	Cross Arm - Short	1
25	296-19-00-079	Adjustment Bar	2
26	296-19-00-080	Adjustment Bar Brkts	8
27	296-20-00-081	Saddle Plate	4
28	296-22-00-084	Tee Handle	3
29	296-23-00-085	Adjustable Vertical Bar	1
30	296-23-00-086	Adjustment Sleeve	1
31	296-24-00-087	Control Holder Assy	1
32	296-24-00-088	Control Valve Plate	1
33	296-25-00-089	Hose Holder Sleeve	1
34	296-25-00-090	Hydraulic Hose Holder	1
35	296-00-00-103	Aluminum Pipe Cushion	2
36	250-87-51-258	Hydraulic Hose	2
37	250-96-00-298	Chain Lug	1
38	R07788	1" - 8 U.N.C. Hex Nut	4
39	R07808	1" Lock Washer	2
40	R07674	1/2 X 1 1/4" Hex Bolt	4
41	R07639	1/2 X 2" Hex Bolt	3
42	R07641	1/2 X 3" Hex Bolt	2
43	R07785	1/2" Hex Nut	4
44	R07629	7/16 X 1 1/2 Hex Bolt	8
45	R07879	7/16 Flange Nut	8
46	R07885	1/2" Lock Nut	2
47	R07675	3/8 X 1 1/4 Hex Bolt	3
48	R07783	3/8" Hex Nut	3
49	R07803	3/8" Lock Washer	3
50	R21426	3 Bank Control Valve	1
51	R20826	3/4 - 16 S.A.E. X 3/8 N.P.T. 45 Adaptor	6
52	R20814	3/4 - 16 S.A.E. X 1/2 N.P.T. 90 Adaptor	2



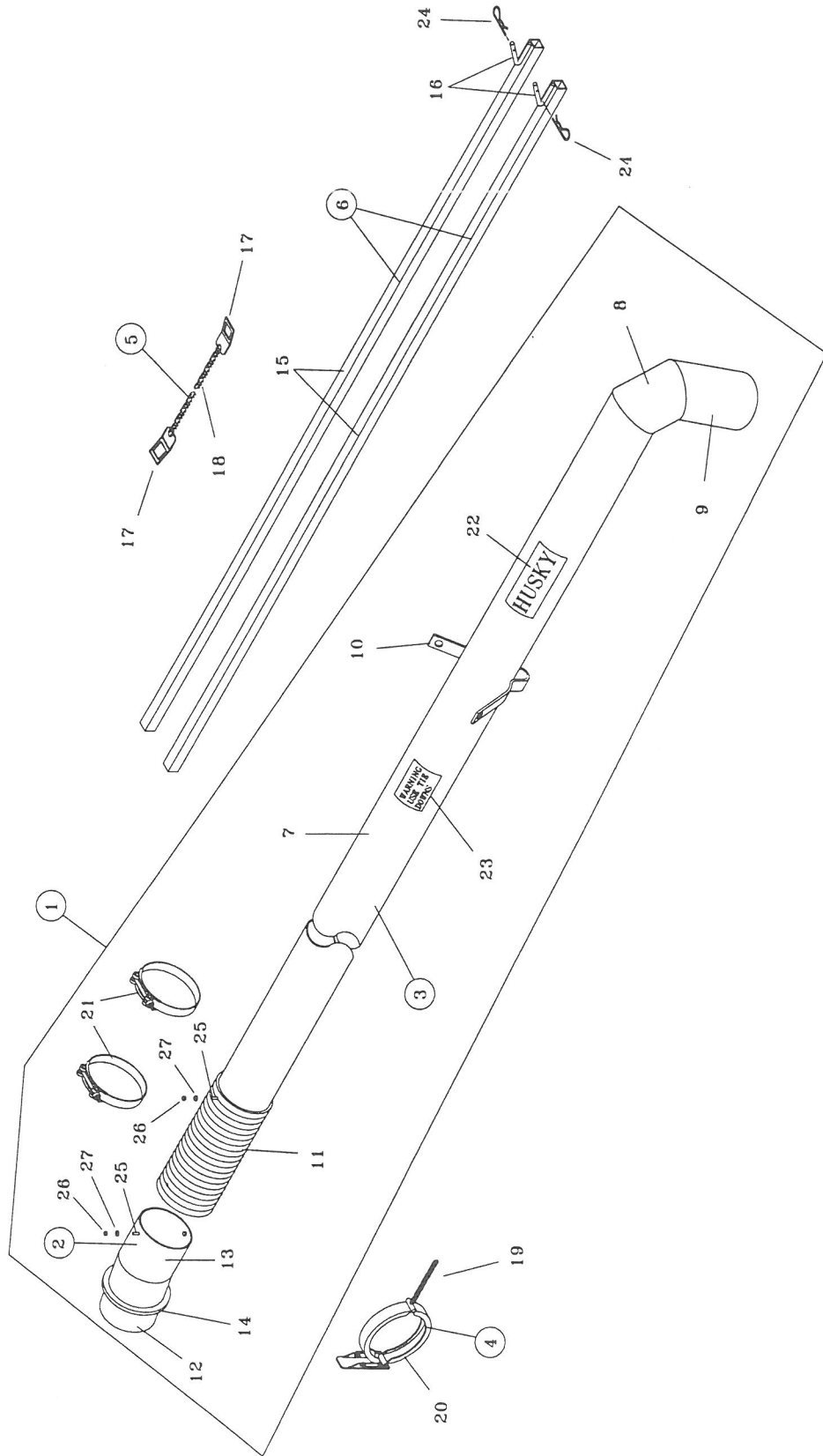
LOWER DISCHARGE CONTINUED

<u>Keys</u>	<u>Parts Number</u>	<u>Description</u>	<u>Qty</u>
53	R20795	Closed Centre Plug	1
54	R02494	6" Female Bandlock Coupler	1
55	R09507	Control Bank Decal	1
56	R20806	3/8 - 18 N.P.T. Swivel Stem	2
57	R21240	1/2" Ferrule	4
58	R20818	1/2 - 14 N.P.T. Solid Stem	2
59	R21342	Male Pioneer Fitting	2



AXLE

<u>Keys</u>	<u>Parts Number</u>	<u>Description</u>	<u>Qty</u>
1	296-13-00-000	Carriage Assy	1
2	290-59-00-000	5000 Lb 6 Bolt Hub Kit	2
3	290-20-00-000	Carriage Tie Bar Assy	1
4	290-39-00-000	Tie Bar Pin Assy	2
5	296-26-00-000	Hydraulic Hose Assy	1
6	296-27-00-000	Hydraulic Hose Assy	1
7	290-31-00-000	11L X 15 Tire & Wheel Assy	1
8	296-13-00-060	Carriage Leg	2
9	296-13-00-061	Spindle	2
10	296-13-00-062	Carriage Leg Gusset	2
11	296-13-00-063	Hydraulic Cylinder Lug	1
12	296-13-00-064	Gusset	1
13	290-11-00-050	End Cap	2
14	290-20-00-075	Tie Bar	2
15	290-20-00-076	Spacer	2
16	290-39-00-136	Tie Bar Pin	2
17	296-26-00-093	Hydraulic Hose	1
18	296-27-00-094	Hydraulic Hose	1
19	290-11-00-045	Carriage Cross Tube	1
20	R02043	1/2 X 3/8 Pipe Bushing	4
21	R21366	3/8 X 90 N.P.T. Hyd. Elbow	2
22	R20806	3/8 - 18 N.P.T. Swivel Male Stem	2
23	R21237	1/4" Ferrule	4
24	R20803	3/8 - 18 N.P.T. Solid Male Stem	2
25	R21342	Male Pioneer Fitting	2
26	R22064	Spindle Washer	2
27	R20117	Spindle Nut 1" - 14 U.N.F.	2
28	R08013	3/16 X 2" Cotter Pin	2
29	R22055	5000 Lb. Hub W/Cups 6 Bolt	2
30	R22054	5000 Lb. Hub - 6 Bolt	2
31	R22058	Inner Cup L.M.603011	2
32	R22059	Inner Cone L.M.603049	2
33	R22060	Outer Cup L.M. 48510	2
34	R22061	Outer Cone L.M.48548	2
35	R22062	Dust Cap D-5000	2
36	R22063	Seal C.R.20044	2
37	R20110	9/16 - 18 U.N.F. Wheel Bolt	12
38	R07827	3/4" Flat Washer	2
39	R07948	5/32" Hair Pin	2
40	R20731	4 X 8" Hydraulic Cylinder1	1
41	R20043	11L X 15 - 6 Ply Implement Tire	2
42	R20045	15 X 8 - 6 Bolt Wheel	2
43	R20044	11L X 15 Tube	2



DISCHARGE PIPE

<u>Keys</u>	<u>Parts Number</u>	<u>Description</u>	<u>Qty</u>
1	296-37-00-000	20 Ft Discharge Pipe Kit	1
	296-37-00-000	25 Ft Discharge Pipe Kit	*
2	296-16-00-000	Top Discharge Elbow Assy	1
3	250-55-25-000	Discharge Pipe Assy - 20 Ft	1
	250-94-01-000	Discharge Pipe Assy - 25 Ft	*
4	250-97-00-000	Clamp & Chain Assy	1
5	242-79-00-000	Bipod Leg Chain Assy	1
6	242-33-00-000	Bipod Leg Assy	2
7	250-55-25-134	20 Ft Discharge Pipe	1
	250-94-01-294	25 Ft Discharge Pipe	1
8	250-26-22-097	Discharge Elbow Centre Pc	1
9	250-26-22-098	Discharge Elbow End Pc	1
10	250-26-22-099	Discharge Pipe Hook	1
11	250-00-00-095	Flex Hose Section	1
12	296-16-00-073	Elbow Basae Pc	1
13	296-16-00-074	Elbow Top Pc	1
14	250-95-00-295	Clamp Ring	1
15	242-33-00-155	Bipod Legs	2
16	242-33-00-156	Bipod Leg Hook	2
17	242-79-00-198	Bipod Chain Clip	2
18	242-79-00-199	Bipod Leg Chain	1
19	250-97-00-297	Clamp Chain	1
20	R02487	6" Ring Lock Clamp	1
21	R02482	6" Hose Clamp	2
22	R09502	"Husky" Decal	1
23	R09690	"Tie Down" Decal	1
24	R07948	5/32" Hairpin	2
25	R07677	1/4 X 3/4" Hex Bolt	4
26	R07781	1/4" Hex Nut	4
27	R07821	1/4" Flat Washer	4

