

Date Purchased _____ Machine Serial No. _____

Size of Pump _____ Options _____

The key number system in this parts book is arranged as follows:

- ◎ - Key numbers with two circles denotes main assemblies.
- - Key numbers with one circle are individual parts

Please order parts by number



HUSKY LIQUID MANURE PUMP

42ft PL490 LAGOON PUMP - 490-00-00-000

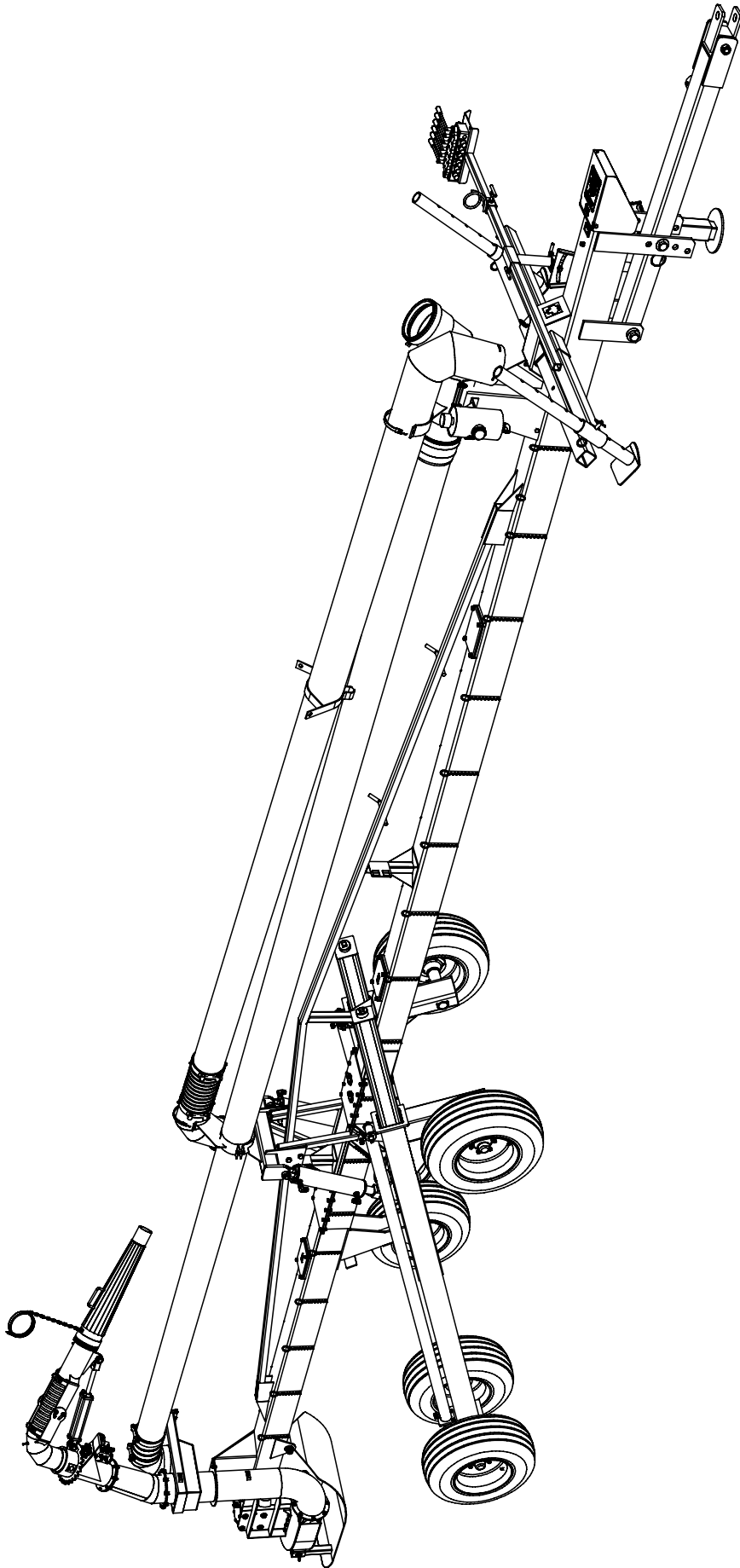
50ft PL490 LAGOON PUMP - 491-00-00-000

50ft PL490 LAGOON PUMP SPLIT MODEL- 492-00-00-000

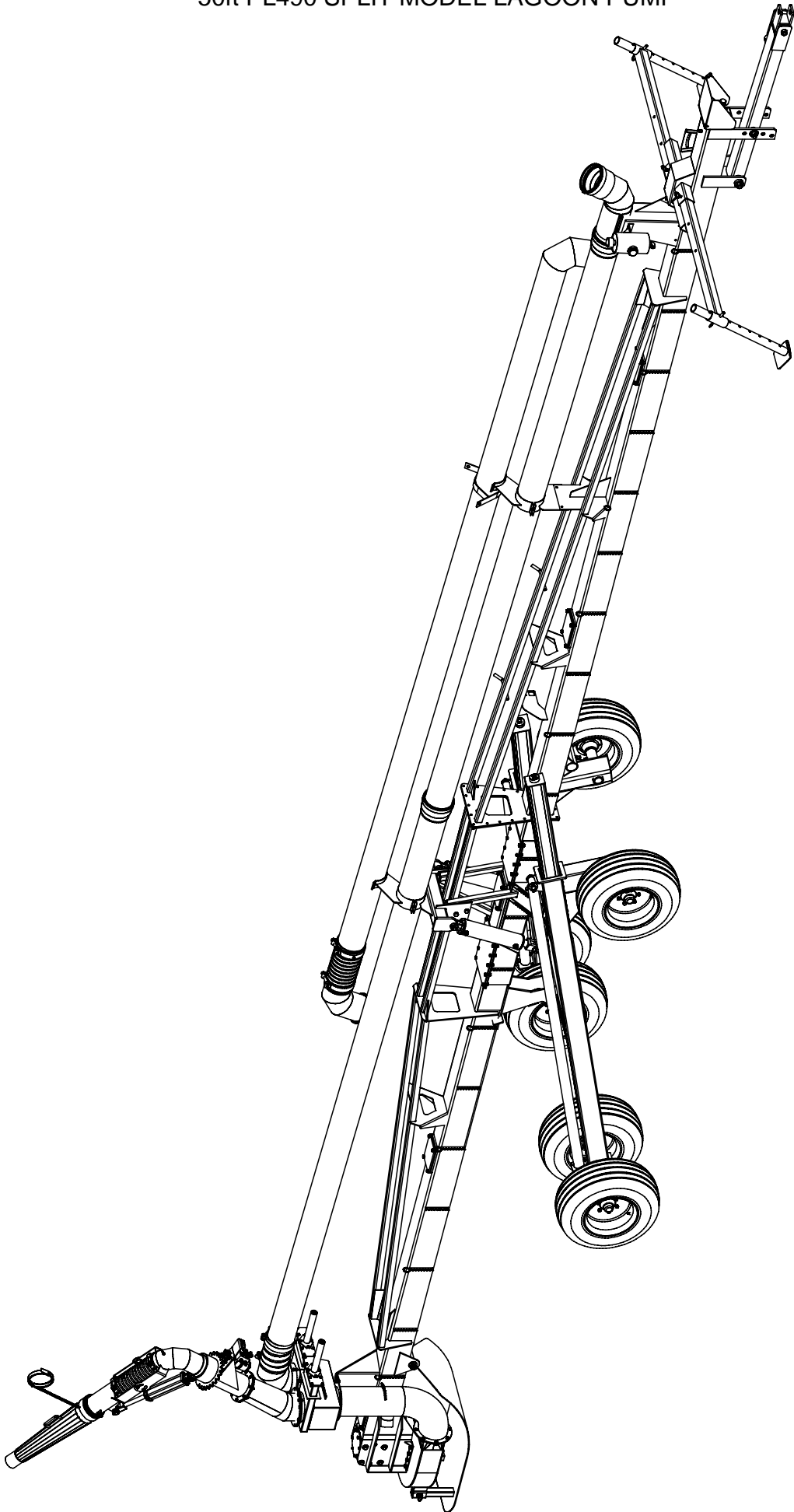
OPERATING INSTRUCTIONS:

1. Lagoon pump is designed to run at 1000 RPM and will consume up to 150 HP.
2. Always check PTO that both knuckles have equal amount of bend when working – if not adjust tongue angle accordingly.
3. Do not try and extend wheels if pump is under heavy crust as it may collapse the undercarriage.
4. Before operating the pump, extend stabilizer legs to support the pump while agitating. If not supported, pump could roll over while agitating.
5. Make sure discharge pipe is securely fastened to pump prior to pumping.
6. Do not over rev. tractor while pumping as discharge spout will lift into air. Always tie down discharge pipe.
7. Always remove pump from pit and wash off thoroughly after each use.
8. **EXTREME DANGER** – Never enter a dirty manure spreader or storage tank – one breath of hydrogen sulphide gas is enough to kill. Have a ladder in your pit, so that if by accident you should fall in, you can get out.
9. For open centre hydraulic tractors, use short plug on right hand end of hydraulic valve. For closed centre hydraulics use long plug with O ring. (Oil must flow in left hand end of valve).

42ft PL490 LAGOON PUMP



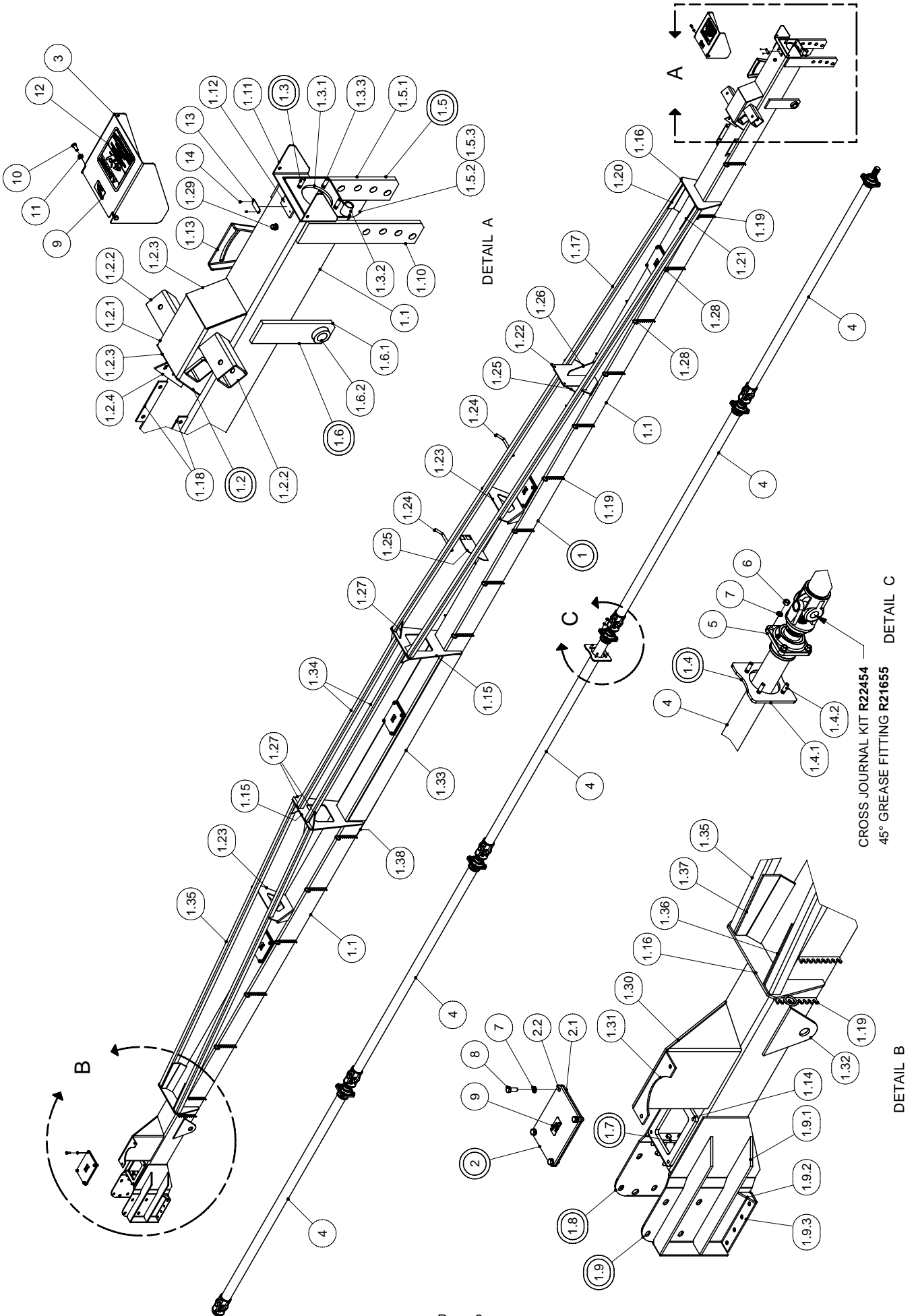
50ft PL490 SPLIT MODEL LAGOON PUMP



SHAFT TUBE & DRIVE LINE-42ft

PARTS LIST				PARTS LIST			
ITEM	PART NUMBER	DESCRIPTION	QTY	ITEM	PART NUMBER	DESCRIPTION	QTY
1	490-03-00-000	SHAFT TUBE ASSY	1	1.17	490-03-00-117	SIDE REINFORCING PLATE	2
1.1	490-03-00-016	SHAFT TUBE	1	1.18	340-01-00-498	SERIAL NO. BACK PLATE	1
1.2	490-03-00-033	TONGUE ADJUSTMENT ARM	1	1.19	R20685	3/8" NPT VENT PLUG	1
1.3	490-03-04-000	ADJUSTMENT ARM ASSY	1	1.20	490-03-00-021	PTO GUARD MOUNT	1
1.3.1	490-03-00-033	TONGUE ADJUSTMENT ARM	1	1.21	490-03-00-190	2 HOSE HOLDER BRKT	1
1.3.2	296-01-06-101	JACK BRKT	1	1.22	296-01-00-131	PIVOT PLATE	1
1.3.3	364-35-00-245	TONGUE JACK BRKT	1	1.23	490-03-00-201	RH REINFORCING BAR BRKT	2
1.4	490-03-11-000	RH GEARBOX BRKT ASSY	1	1.24	490-03-00-200	LH REINFORCING BAR BRKT	2
1.4.1	490-03-11-249	GEARBOX REINFORCING BAR	2	1.25	490-08-00-202	CAP	2
1.4.2	490-03-11-250	GEARBOX GUSSET	1	1.26	490-08-00-041	SHORT POST	2
1.4.3	490-03-00-019	RH GEARBOX BRKT	1	1.27	490-08-00-040	LONG POST	1
1.5	490-03-12-000	LH GEARBOX BRKT ASSY	1	1.28	490-08-00-116	POST BASE PLATE	3
1.6	490-03-05-000	PIVOT ARM ASSY	2	1.29	490-08-00-178	BIPOD LEG HOLDER	2
1.6.1	296-01-01-005	PIVOT ARM	1	1.30	490-08-00-177	PTO HOLDER BRKT	2
1.6.2	296-01-01-006	PIVOT ARM BUSHING	1	1.31	490-03-00-248	REINF. PLATE FOR CARRIAGE LOCK	1
1.7	490-03-09-000	TOP BEARING HOLDER ASSY	1	1.32	490-03-00-251	SUPPORT POST GUSSET	12
1.7.1	490-03-09-217	TOP FLANGE BEARING HOLDER	1	1.33	490-08-00-039	REINFORCING BAR	1
1.7.2	R02060	3/4" PIPE COUPLING	1	1.34	250-00-00-354	1/4 X 1 1/2" RING	15
1.7.3	R07639	1/2 x 2 HEX BOLT	4	2	490-18-00-000	TUBE COVER PLATE ASSY	4
1.8	490-03-06-000	BEARING HOLDER ASSY	3	2.1	490-18-00-035	RUBBER COVER	1
1.8.1	490-03-06-018	FLANGE BEARING HOLDER	1	2.2	490-18-00-036	COVER PLATE	1
1.8.2	R07639	1/2 x 2 HEX BOLT	4	3	296-00-00-033	PTO GUARD	1
1.9	490-03-07-000	LOWER INNER FLANGE ASSY	1	4	R22451	#8 UNSHIELDED DRIVELINE - 1 3/4-27	4
1.10	490-03-03-000	STABILIZE ARM SUPPORT TUBE ASSY	1	5	R20180	45mm - 4 BOLT FLANGE BEARING	4
1.10.1	490-03-03-135	STABILIZER ARM BRKT	1	6	R07785	1/2-13 UNC HEX NUT	16
1.10.2	490-03-03-022	STABILIZER ARM SUPPORT TUBE	2	7	R07674	1/2 x 1 1/4 UNC HEX BOLT	16
1.10.3	490-03-03-136	END CAP	2	8	R07805	1/2" LOCK WASHER	32
1.10.4	490-03-03-253	MOUNTING PLATE	1	9	R09582	GREASE SYMBOL DECAL	5
1.11	490-03-00-011	HYDRAULIC HOSE HOLDER	28	10	R07670	3/8 x 7/8 UNC HEX BOLT	2
1.12	490-03-00-056	MOUNTING PLATE	4	11	R07886	3/8-16 UNC 2-WAY LOCK NUT	2
1.13	290-10-00-151	DISCHARGE HOLDER SUPPORT	2	12	R09785	"DANGER ROTATING DRIVELINE"	1
1.14	490-03-00-172	SLIDE ATTACHMENT BRKT	2			DECAL	
1.15	490-03-00-088	PIPE SUPPORT	1	13	R09071	SERIAL NUMBER PLATE	1
1.16	490-03-00-131	PIPE SUPPORT CAP	1	14	R08152	6 x 1/4 PAN HD SOCKET SCREW	2

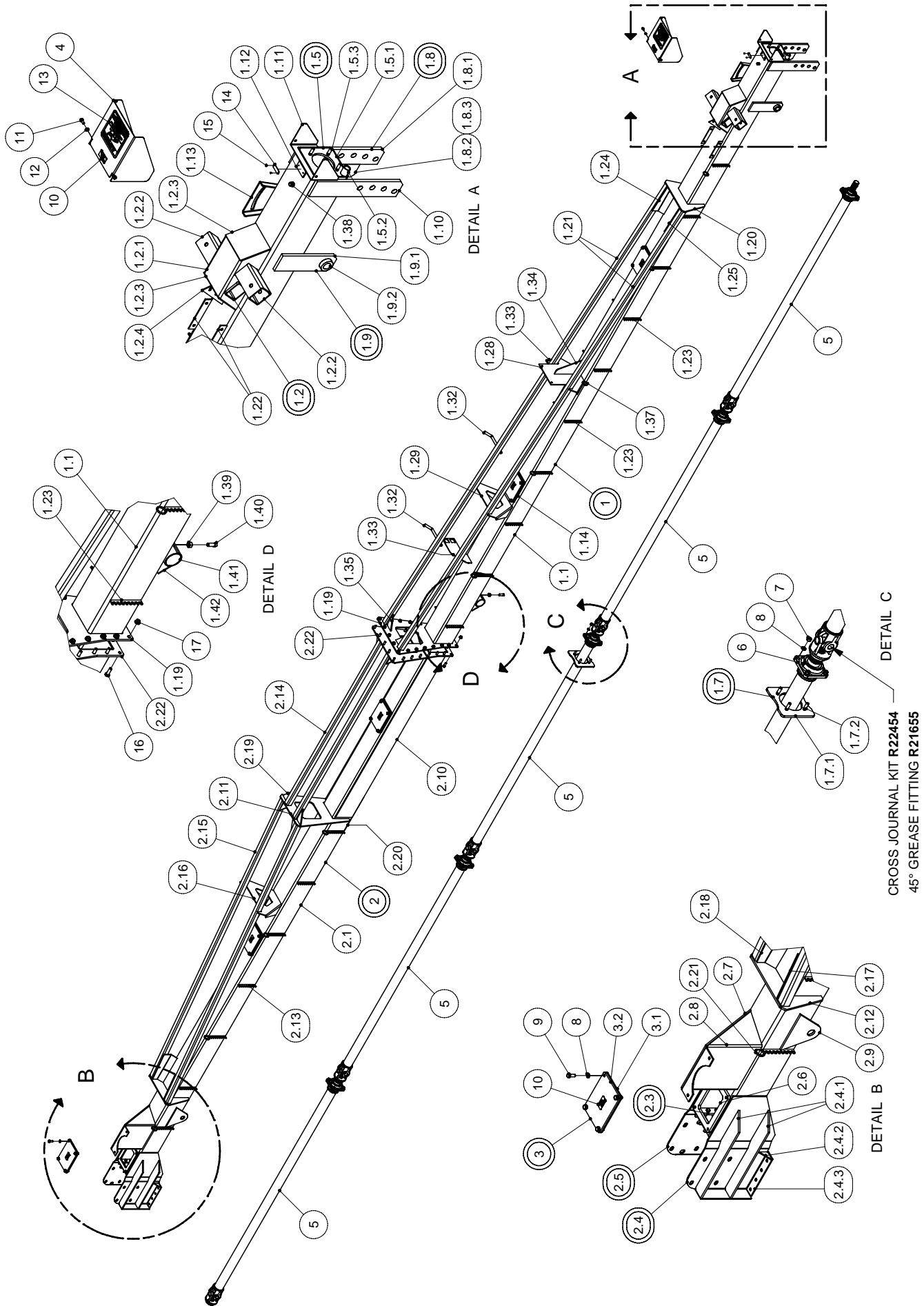
SHAFT TUBE & DRIVE LINE-50ft



SHAFT TUBE & DRIVE LINE-50ft

PARTS LIST				PARTS LIST			
ITEM	PART NUMBER	DESCRIPTION	QTY	ITEM	PART NUMBER	DESCRIPTION	QTY
1	491-01-00-000	50ft SHAFT TUBE ASSY	1	1.19	490-03-00-011	HYDRAULIC HOSE HOLDER	28
1.1	491-01-00-221	SHAFT TUBE-50 FT PUMP	1	1.20	491-01-00-234	UPPER LH SUPPORT PLATE	1
1.2	490-03-03-000	STABILIZE ARM SUPPORT TUBE ASSY	1	1.21	491-01-00-235	RH SUPPORT PLATE	1
1.2.1	490-03-03-135	STABILIZER ARM BRKT	1	1.22	491-01-00-228	CENTER REINF. BAR SUPPORT-A	1
1.2.2	490-03-03-022	STABILIZER ARM SUPPORT TUBE	2	1.23	491-01-00-229	UPPER REINF. BAR SUPPORT-B	2
1.2.3	490-03-03-136	END CAP	2	1.24	490-08-00-177	PTO HOLDER BRKT	2
1.2.4	490-03-03-253	MOUNTING PLATE	1	1.25	491-01-00-236	BIPOD LEG HOLDER	2
1.3	490-03-09-000	TOP BEARING HOLDER ASSY	1	1.26	491-01-00-227	BEARING SUPPORT GUSSET	1
1.3.1	490-03-09-217	TOP FLANGE BEARING HOLDER	1	1.27	491-01-00-247	REINFORCING BAR GUSSET	8
1.3.2	R02060	3/4" PIPE COUPLING	1	1.28	250-00-00-354	1/4 X 1 1/2" RING	16
1.3.3	R07639	1/2 x 2 HEX BOLT	4	1.29	R20685	3/8" NPT VENT PLUG	1
1.4	490-03-06-000	BEARING HOLDER ASSY	4	1.30	490-03-00-131	PIPE SUPPORT CAP	1
1.4.1	490-03-06-018	FLANGE BEARING HOLDER	1	1.31	490-03-00-088	PIPE SUPPORT	1
1.4.2	R07639	1/2 x 2 HEX BOLT	4	1.32	490-03-00-172	SLIDE ATTACHMENT BRKT	2
1.5	490-03-04-000	ADJUSTMENT ARM ASSY	1	1.33	490-03-00-117	SIDE REINFORCING PLATE	2
1.5.1	490-03-00-033	TONGUE ADJUSTMENT ARM	1	1.34	491-01-00-223	CENTER REINFORCING BAR	2
1.5.2	296-01-06-101	JACK BRKT	1	1.35	491-01-00-226	BOTTOM REINFORCING BAR	2
1.5.3	364-35-00-245	TONGUE JACK BRKT	1	1.36	491-01-00-230	LOWER LH SUPPORT PLATE	1
1.6	490-03-05-000	PIVOT ARM ASSY	2	1.37	491-01-00-231	LOWER RH SUPPORT PLATE	1
1.6.1	296-01-01-005	PIVOT ARM	1	1.38	490-03-00-248	REINF. PLATE FOR CARRIAGE LOCK	1
1.6.2	296-01-01-006	PIVOT ARM BUSHING	1	2	490-18-00-000	TUBE COVER PLATE ASSY	5
1.7	490-03-07-000	LOWER INNER FLANGE ASSY	1	2.1	490-18-00-035	RUBBER COVER	1
1.8	490-03-12-000	LH GEARBOX BRKT ASSY	1	2.2	490-18-00-036	COVER PLATE	1
1.9	490-03-11-000	RH GEARBOX BRKT ASSY	1	3	296-00-00-033	PTO GUARD	1
1.9.1	490-03-11-249	GEARBOX REINFORCING BAR	2	4	R22451	#8 UNSHIELDED DRIVELINE - 1 3/4-27	5
1.9.2	490-03-11-250	GEARBOX GUSSET	1	5	R20180	45mm - 4 BOLT FLANGE BEARING	5
1.9.3	490-03-00-019	RH GEARBOX BRKT	1	6	R07785	1/2-13 UNC HEX NUT	20
1.10	490-03-00-033	TONGUE ADJUSTMENT ARM	1	7	R07805	1/2" LOCK WASHER	40
1.11	490-03-00-021	PTO GUARD MOUNT	1	8	R07674	1/2 x 1 1/4 UNC HEX BOLT	20
1.12	340-01-00-498	SERIAL NO. BACK PLATE	1	9	R09582	GREASE SYMBOL DECAL	6
1.13	296-01-00-131	PIVOT PLATE	1	10	R07670	3/8 x 7/8 UNC HEX BOLT	2
1.14	490-03-00-056	MOUNTING PLATE	5	11	R07886	3/8-16 UNC 2-WAY LOCK NUT	2
1.15	491-01-00-222	BRIDGE FLANGE	2	12	R09785	"DANGER ROTATING DRIVELINE"	1
1.16	491-01-00-224	SMALL BRIDGE FLANGE	2			DECAL	
1.17	491-01-00-225	UPPER REINFORCING BAR	2	13	R09071	SERIAL NUMBER PLATE	1
1.18	290-10-00-151	DISCHARGE HOLDER SUPPORT	2	14	R08152	6 x 1/4 PAN HD SOCKET SCREW	2

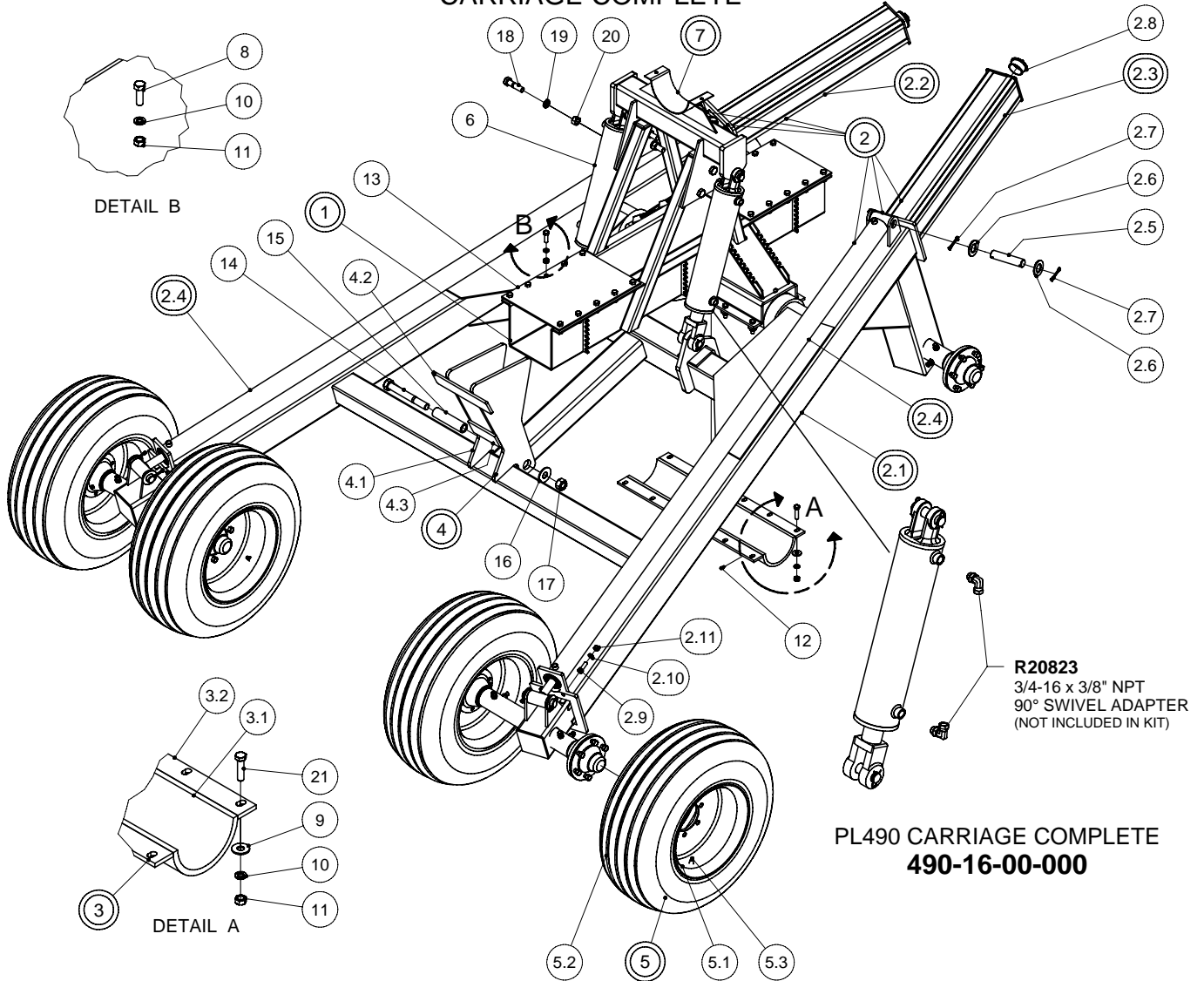
SHAFT TUBE & DRIVE LINE SPLIT MODEL-50ft



SHAFT TUBE & DRIVE LINE SPLIT MODEL-50ft

PARTS LIST				PARTS LIST			
ITEM	PART NUMBER	DESCRIPTION	QTY	ITEM	PART NUMBER	DESCRIPTION	QTY
1	492-02-00-000	UPPER SHAFT TUBE ASSY-50 FT	1	1.42	492-02-00-302	SPINDLE SLEEVE HOLDER GUSSET	2
1.1	492-02-00-282	UPPER SHAFT TUBE-50 FT PUMP	1	2	492-01-00-000	LOWER SHAFT TUBE ASSY-50 FT	1
1.2	490-03-03-000	STABILIZE ARM SUPPORT TUBE ASSY	1	2.1	492-01-00-280	LOWER SHAFT TUBE-50 FT PUMP	1
1.2.1	490-03-03-135	STABILIZER ARM BRKT	1	2.2	490-03-06-000	BEARING HOLDER ASSY	2
1.2.2	490-03-03-022	STABILIZER ARM SUPPORT TUBE	2	2.3	490-03-07-000	LOWER INNER FLANGE ASSY	1
1.2.3	490-03-03-136	END CAP	2	2.4	490-03-11-000	RH GEARBOX BRKT ASSY	1
1.2.4	490-03-03-253	MOUNTING PLATE	1	2.4.1	490-03-11-249	GEARBOX REINFORCING BAR	2
1.5	490-03-09-000	TOP BEARING HOLDER ASSY	1	2.4.2	490-03-11-250	GEARBOX GUSSET	1
1.5.1	490-03-09-217	TOP FLANGE BEARING HOLDER	1	2.4.3	490-03-00-019	RH GEARBOX BRKT	1
1.5.2	R02060	3/4" PIPE COUPLING	1	2.5	490-03-12-000	LH GEARBOX BRKT ASSY	1
1.5.3	R07639	1/2 x 2 HEX BOLT	4	2.6	490-03-00-056	MOUNTING PLATE	3
1.7	490-03-06-000	BEARING HOLDER ASSY	2	2.7	490-03-00-131	PIPE SUPPORT CAP	1
1.7.1	490-03-06-018	FLANGE BEARING HOLDER	1	2.8	490-03-00-088	PIPE SUPPORT	1
1.7.2	R07639	1/2 x 2 HEX BOLT	4	2.9	490-03-00-172	SLIDE ATTACHMENT BRKT	2
1.8	490-03-04-000	ADJUSTMENT ARM ASSY	1	2.10	490-03-00-117	SIDE REINFORCING PLATE	2
1.8.1	490-03-00-033	TONGUE ADJUSTMENT ARM	1	2.11	491-01-00-222	BRIDGE FLANGE	1
1.8.2	296-01-06-101	JACK BRKT	1	2.12	491-01-00-224	SMALL BRIDGE FLANGE	1
1.8.3	364-35-00-245	TONGUE JACK BRKT	1	2.13	490-03-00-011	HYDRAULIC HOSE HOLDER	7
1.9	490-03-05-000	PIVOT ARM ASSY	2	2.14	491-01-00-223	CENTER REINFORCING BAR	2
1.9.1	296-01-01-005	PIVOT ARM	1	2.15	491-01-00-226	BOTTOM REINFORCING BAR	2
1.9.2	296-01-01-006	PIVOT ARM BUSHING	1	2.16	491-01-00-229	UPPER REINF. BAR SUPPORT-B	1
1.10	490-03-00-033	TONGUE ADJUSTMENT ARM	1	2.17	491-01-00-230	LOWER LH SUPPORT PLATE	1
1.11	490-03-00-021	PTO GUARD MOUNT	1	2.18	491-01-00-231	LOWER RH SUPPORT PLATE	1
1.12	340-01-00-498	SERIAL NO. BACK PLATE	1	2.19	491-01-00-247	REINFORCING BAR GUSSET	6
1.13	296-01-00-131	PIVOT PLATE	1	2.20	490-03-00-248	REINF. PLATE FOR CARRIAGE LOCK	1
1.14	490-03-00-056	MOUNTING PLATE	2	2.21	250-00-00-354	1/4 X 1 1/2" RING	4
1.19	492-01-00-281	OVERSIZE BRIDGE FLANGE	1	2.22	492-01-00-281	OVERSIZE BRIDGE FLANGE	1
1.20	491-01-00-224	SMALL BRIDGE FLANGE	1	3	490-18-00-000	TUBE COVER PLATE ASSY	5
1.21	491-01-00-225	UPPER REINFORCING BAR	2	3.1	490-18-00-035	RUBBER COVER	1
1.22	290-10-00-151	DISCHARGE HOLDER SUPPORT	2	3.2	490-18-00-036	COVER PLATE	1
1.23	490-03-00-011	HYDRAULIC HOSE HOLDER	20	4	296-00-00-033	PTO GUARD	1
1.24	491-01-00-234	UPPER LH SUPPORT PLATE	1	5	R22451	#8 UNSHIELDED DRIVELINE - 1 3/4-27	5
1.25	491-01-00-235	RH SUPPORT PLATE	1	6	R20180	45mm - 4 BOLT FLANGE BEARING	5
1.28	491-01-00-228	CENTER REINF. BAR SUPPORT-A	1	7	R07785	1/2-13 UNC HEX NUT	20
1.29	491-01-00-229	UPPER REINF. BAR SUPPORT-B	1	8	R07805	1/2" LOCK WASHER	40
1.32	490-08-00-177	PTO HOLDER BRKT	2	9	R07674	1/2 x 1 1/4 UNC HEX BOLT	20
1.33	491-01-00-236	BIPOD LEG HOLDER	2	10	R09582	GREASE SYMBOL DECAL	6
1.34	491-01-00-227	BEARING SUPPORT GUSSET	1	11	R07670	3/8 x 7/8 UNC HEX BOLT	2
1.35	491-01-00-247	REINFORCING BAR GUSSET	2	12	R07886	3/8-16 UNC 2-WAY LOCK NUT	2
1.37	250-00-00-354	1/4 X 1 1/2" RING	5	13	R09785	"DANGER ROTATING DRIVELINE"	1
1.38	R20685	3/8" NPT VENT PLUG	1			DECAL	
1.39	R07786	5/8-11 UNC HEX NUT	1	14	R09071	SERIAL NUMBER PLATE	1
1.40	R07927	5/8 x 1 1/2 SQ. HD. SET SCREW	1	15	R08152	6 x 1/4 PAN HD SOCKET SCREW	2
1.41	492-02-00-301	SPINDLE SLEEVE HOLDER	1	16	R07638	1/2 x 1 1/2 UNC HEX BOLT	21
				17	R07795	1/2-13 UNC FLANGE NUT	21

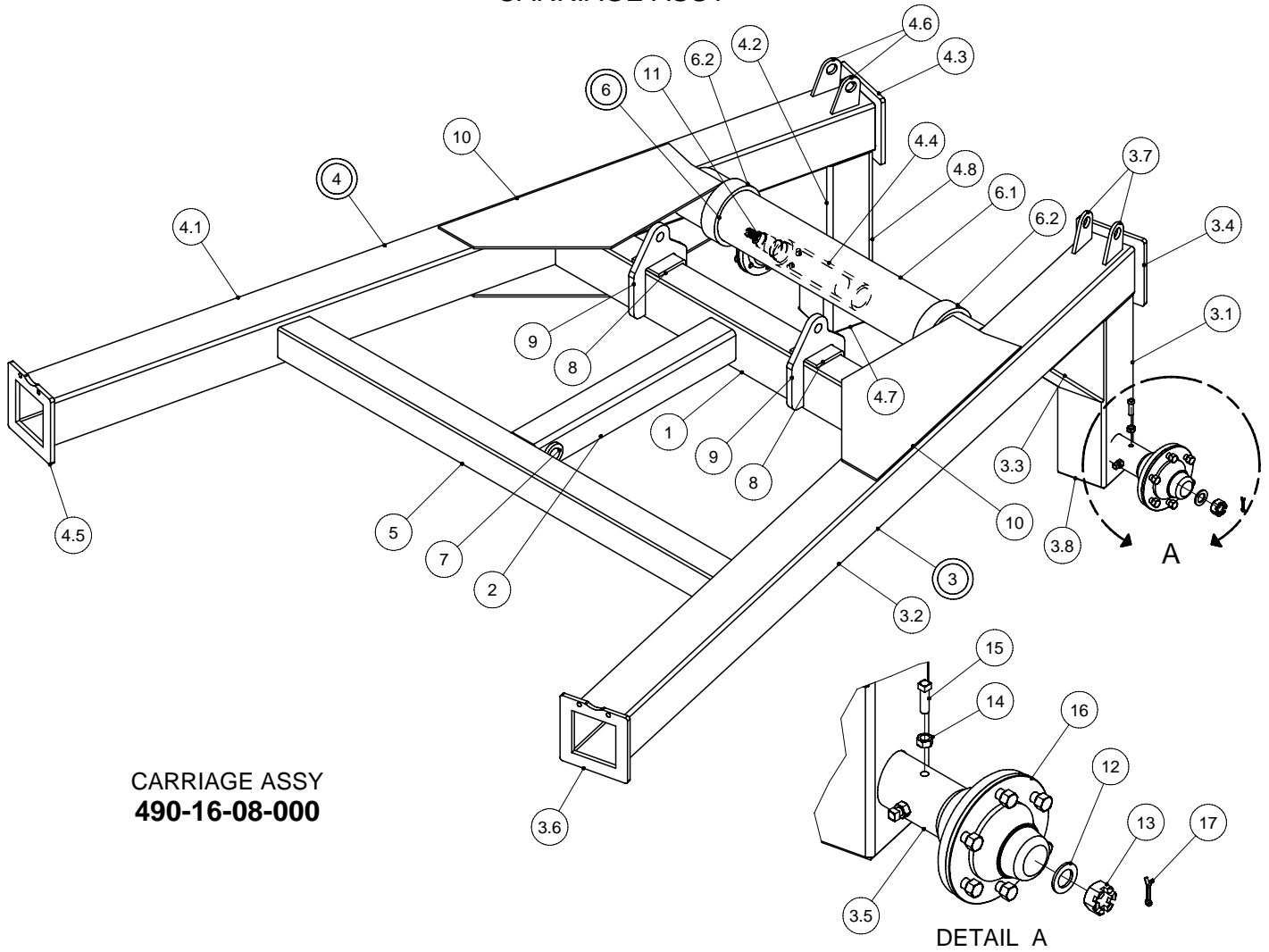
CARRIAGE COMPLETE



PL490 CARRIAGE COMPLETE
490-16-00-000

PARTS LIST				PARTS LIST			
ITEM	PART NUMBER	DESCRIPTION	QTY	ITEM	PART NUMBER	DESCRIPTION	QTY
1	490-16-04-000	SADDLE & CYLINDER BRKT ASSY	1	5	290-31-00-000	11L x 15 TIRE AND WHEEL ASSY	6
2	490-16-01-000	CARRIAGE CYLINDER & LEGS ASSY	1	5.1	R20045	15 x 8 x 6 BOLT WHEEL	1
2.1	490-16-08-000	CARRIAGE ASSY	1	5.2	R20043	11L x 15 RIB IMP 6 PL TIRE	1
2.2	490-16-05-000	LH CARRIAGE INNER LEG ASSY	1	5.3	R20020	VALVE STEM	1
2.3	490-16-02-000	RH CARRIAGE INNER LEG ASSY	1	6	R22340	40WD16-200 HYD CYLINDER	2
2.4	490-23-00-000	8FT HYDRAULIC CYLINDER KIT	2	7	490-16-11-000	TIE BAR AND TUBE HOLDER ASSY	1
2.5	490-16-01-066	CYLINDER PIN	4	8	R07638	1/2 x 1 1/2 HEX BOLT	20
2.6	R07830	1 1/4" FLAT WASHER	8	9	R07825	1/2" FLAT WASHER	12
2.7	R08016	1/4 x 2 COTTER PIN	8	10	R07805	1/2 LOCK WASHER	32
2.8	R02285	2" ABS PLUG	2	11	R07785	1/2 HEX NUT	32
2.9	R07638	1/2 x 1 1/2 HEX BOLT	4	12	R08183	1/4" - 28 STRAIGHT GREASE FITTING	3
2.10	R07805	1/2 LOCK WASHER	4	13	490-16-00-099	AXLE HOLD DOWN PLATE	2
2.11	R07785	1/2 HEX NUT	4	14	R07669	1 x 8" HEX BOLT	1
3	490-04-00-000	LOWER CARRIAGE MOUNT ASSY	1	15	490-16-00-143	CARRIAGE LOCK PIVOT SLEEVE	1
3.1	490-04-00-138	LOWER HALF TUBE	1	16	R07828	1" FLAT WASHER	1
3.2	490-04-00-034	LOWER CARRIAGE STRAP	2	17	R07882	1" - 2 WAY LOCK NUT	1
4	490-28-00-000	CARRIAGE LOCK ASSY	1	18	R08429	3/4 x 3" HEX BOLT-GR 8	6
4.1	490-28-00-140	CARRIAGE LOCK SIDE PLATE	2	19	R07807	3/4" LOCK WASHER	6
4.2	490-28-00-257	UPPER STOP PLATE	1	20	R07787	3/4-10 UNC HEX NUT	6
4.3	490-28-00-141	STOP PLATE	1	21	R07639	1/2 x 2 UNC HEX BOLT	12

CARRIAGE ASSY



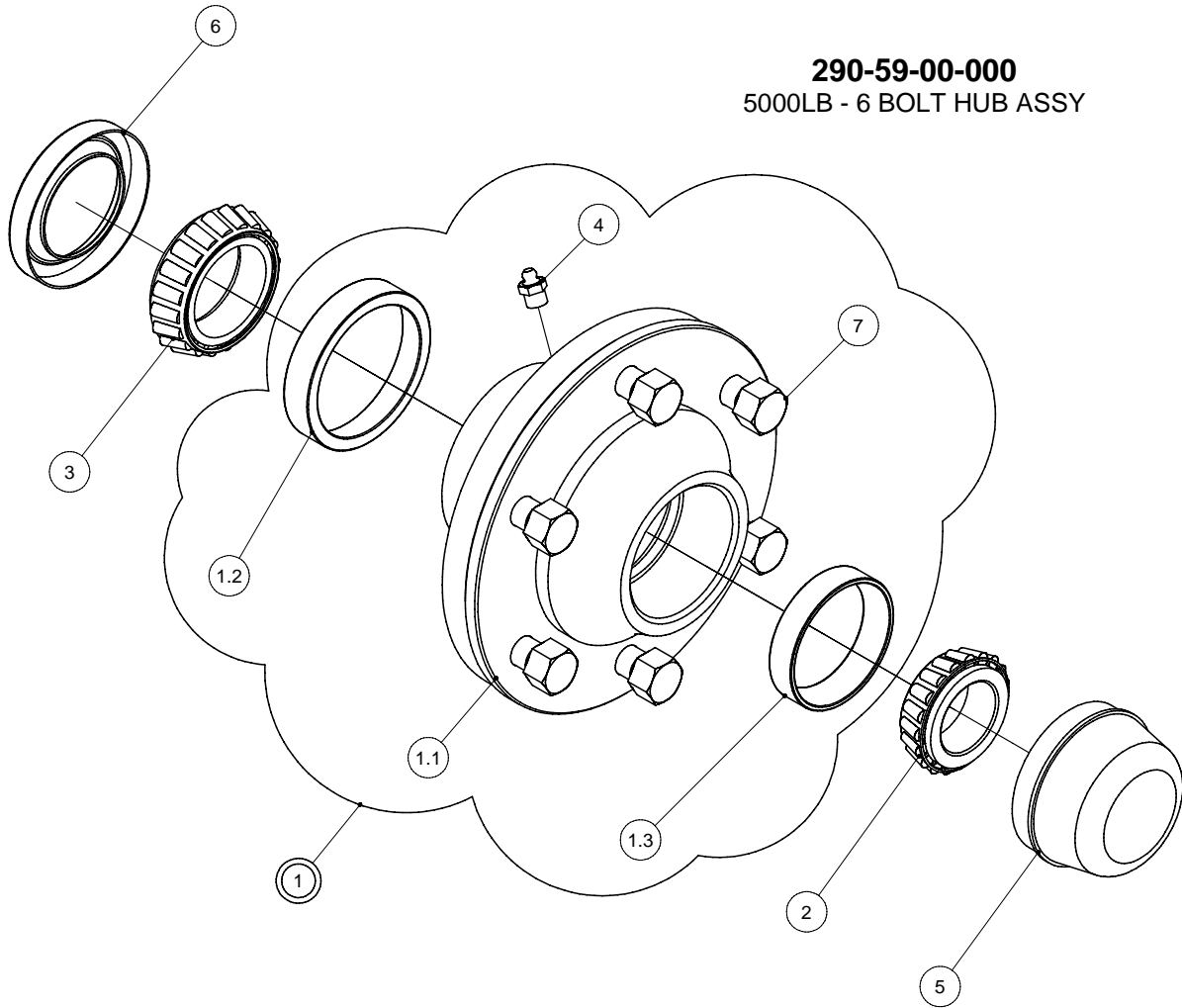
**CARRIAGE ASSY
490-16-08-000**

DETAIL A

PARTS LIST				PARTS LIST			
ITEM	PART NUMBER	DESCRIPTION	QTY	ITEM	PART NUMBER	DESCRIPTION	QTY
1	490-16-08-081	CYLINDER BRKTS CROSS MEMBER	1	4.7	490-16-03-070	END CAP	1
2	490-16-08-085	VERTICAL SUPPORT TUBE	1	4.8	490-16-06-073	RH SPINDLE HOLDER TUBE	1
3	490-16-03-000	RH CARRIAGE OUTER LEG ASSY	1	5	490-16-08-077	CROSS BRACE	1
3.1	490-16-03-067	SPINDLE HOLDER TUBE	1	6	490-16-07-000	CARRIAGE CROSS TUBE ASSY	1
3.2	490-16-03-063	CARRIAGE OUTER LEG	1	6.1	490-16-07-074	CROSS TUBE	1
3.3	490-16-03-068	SPINDLE HOLDER TUBE GUSSET	1	6.2	490-16-07-076	CYLINDER LUG SLEEVE	2
3.4	490-16-03-130	UPPER CLEANER PLATE	1	7	490-16-08-142	CARRIAGE LOCK INNER SLEEVE	1
3.5	490-16-03-069	UPPER SPINDLE SLEEVE	1	8	490-16-08-186	REINFORCING ANGLE	2
3.6	490-16-03-065	CLEANER PLATE	1	9	490-16-08-079	CYLINDER LUG	2
3.7	490-16-08-064	LONG CYLINDER LUG	2	10	490-16-08-080	CARRIAGE GUSSET	4
3.8	490-16-03-070	END CAP	1	11	490-16-00-082	LOWER SPINDLE	2
4	490-16-06-000	LH CARRIAGE OUTER LEG ASSY	1	12	R20154	SPINDLE WASHER	2
4.1	490-16-03-063	CARRIAGE OUTER LEG	1	13	R20117	SPINDLE NUT	2
4.2	490-16-03-068	SPINDLE HOLDER TUBE GUSSET	1	14	R07785	1/2 HEX NUT	4
4.3	490-16-03-130	UPPER CLEANER PLATE	1	15	R07923	1/2 x 1 1/2" SQ HD SET SCREW	4
4.4	490-16-03-069	UPPER SPINDLE SLEEVE	1	16	290-59-00-000	5000LB - 6 BOLT HUB ASSY	2
4.5	490-16-03-065	CLEANER PLATE	1	17	R08015	3/16 x 2 COTTER PIN	2
4.6	490-16-08-064	LONG CYLINDER LUG	2				

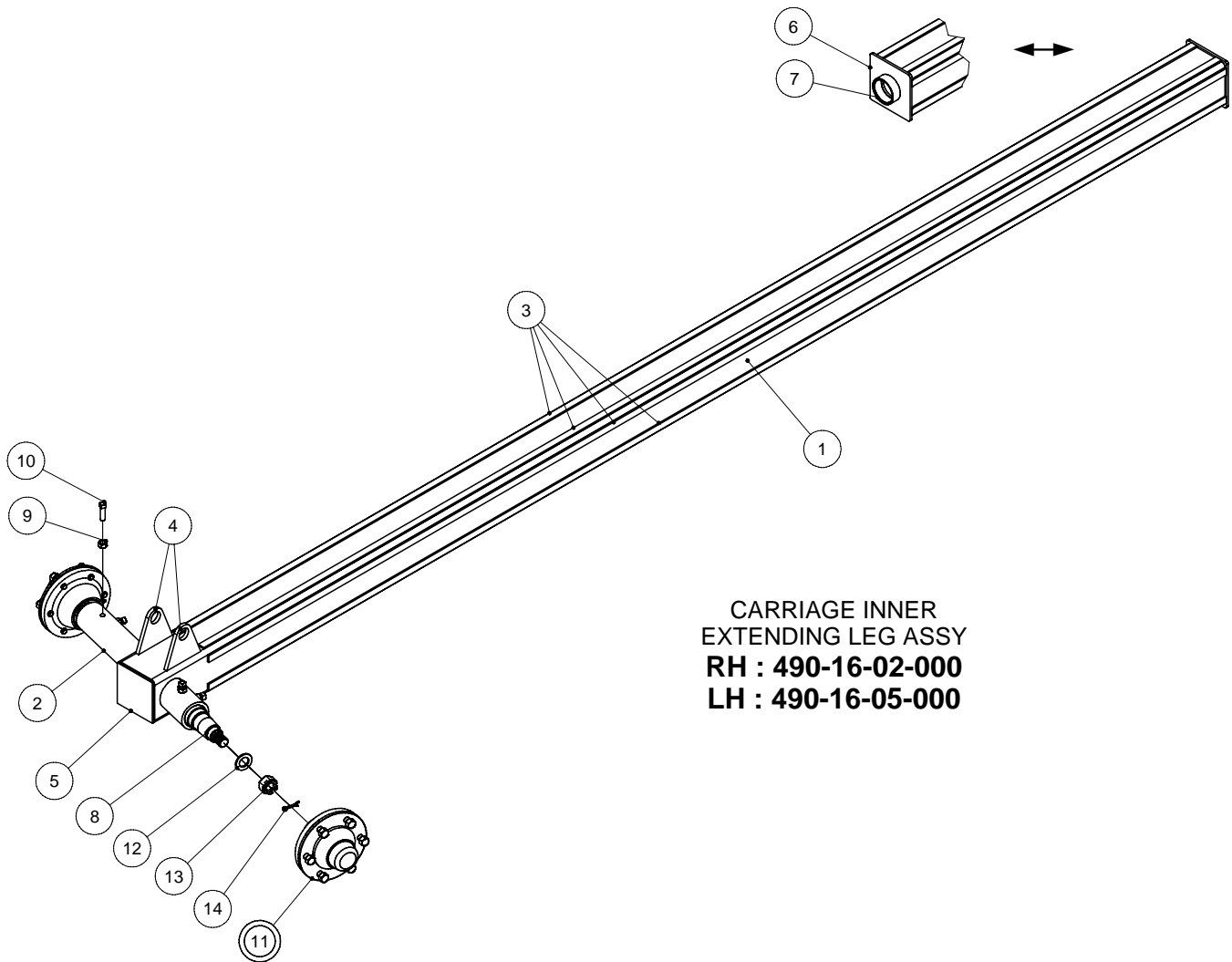
5000LB 6 BOLT HUB ASSY

290-59-00-000
5000LB - 6 BOLT HUB ASSY



PARTS LIST			
ITEM	PART NUMBER	DESCRIPTION	QTY
1	R22055	5000LB HUB w/ CUPS	1
1.1	R22054	5000LB HUB - 6 BOLT	1
1.2	R22058	INNER CUP LM603011	1
1.3	R22060	OUTER CUP LM48510	1
2	R22061	OUTER CONE LM48548	1
3	R22059	INNER CONE LM603049	1
4	R08186	1/8" NPT GREASE FTG	1
5	R22062	DUST CAP	1
6	R22063	SEAL CR2004	1
7	R20110	9/16 UNF WHEEL BOLT	6

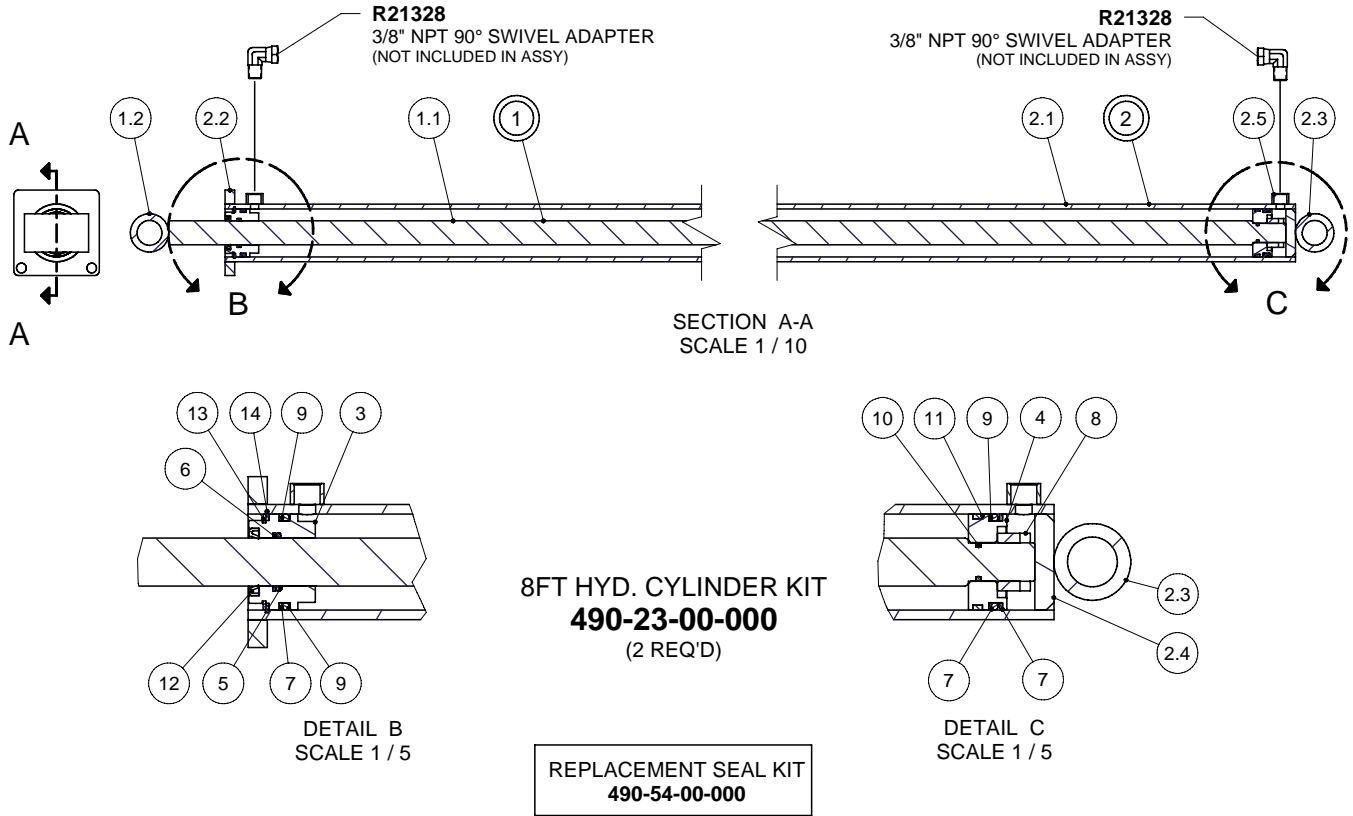
EXTENDING LEG ASSY



**CARRIAGE INNER
 EXTENDING LEG ASSY**
RH : 490-16-02-000
LH : 490-16-05-000

PARTS LIST			
ITEM	PART NUMBER	DESCRIPTION	QTY
1	490-16-02-059	CARRIAGE INNER LEG	1
2	490-16-02-060	SPINDLE SLEEVE	1
3	490-16-02-062	GUIDE BAR	8
4	490-16-02-114	LOWER CYLINDER LUG	2
5	490-16-02-144	LOWER CAP	1
6	490-16-02-145	UPPER CAP	1
7	R02948	2" HALF COULING	1
8	490-16-00-082	LOWER SPINDLE	2
9	R07785	1/2 HEX NUT	4
10	R07923	1/2 x 1 1/2" SQ HD SET SCREW	4
11	290-59-00-000	5000LB - 6 BOLT HUB ASSY	2
12	R20154	SPINDLE WASHER	2
13	R20117	SPINDLE NUT	2
14	R08015	3/16 x 2 COTTER PIN	2

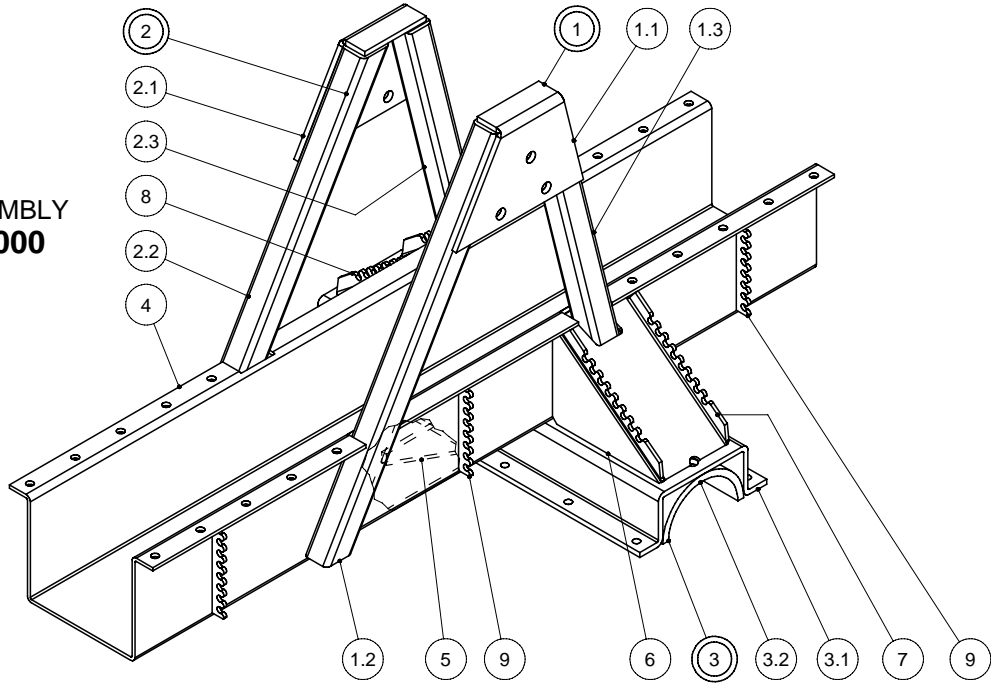
EXTENDING LEG CYLINDER ASSY



PARTS LIST			
ITEM	PART NUMBER	DESCRIPTION	QTY
1	490-23-01-000	8FT CYLINDER SHAFT ASSY	1
1.1	490-23-01-121	CYLINDER SHAFT - 8' CYLINDER	1
1.2	490-17-01-095	LOWER PIN TUBE	1
2	490-23-02-000	8FT HYD. CYLINDER TUBE ASSY	1
2.1	490-23-02-122	OUTER TUBE - 8FT CYLINDER	1
2.2	490-17-02-093	CYLINDER SUPPORT	1
2.3	490-17-01-095	LOWER PIN TUBE	1
2.4	490-17-02-091	END CAP	1
2.5	R02068	3/8" HALF COUPLING	2
3	490-17-00-096	END BLOCK	1
4	490-17-00-097	PISTON	1
5	R20866	O-RING #11-218	1
6	R20867	BACKUP RING #8-218	1
7	R21027	OUTER BACKUP #330	3
8	R08346	1"-14 UNF STOVER LOCK NUT	1
9	R09900	O-RING #330 - 2 1/8" x 2 1/2" x 3/16"	2
10	R20771	O-RING #11-210	1
11	R21028	OUTER WEAR RING - SPLIT-2 1/2 x 1/4 x 1/8	1
12	R21026	ROD WIPER	1
13	R08344	INTERNAL SPIROL RET. RING 2.5"	1
14	R08345	EXTERNAL SPIROL RET. RING 2.5"	1

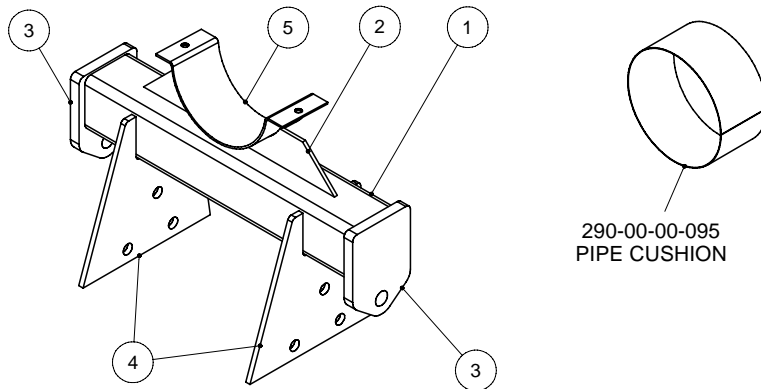
SADDLE & TIE BAR ASSY

SADDLE ASSEMBLY 490-16-04-000



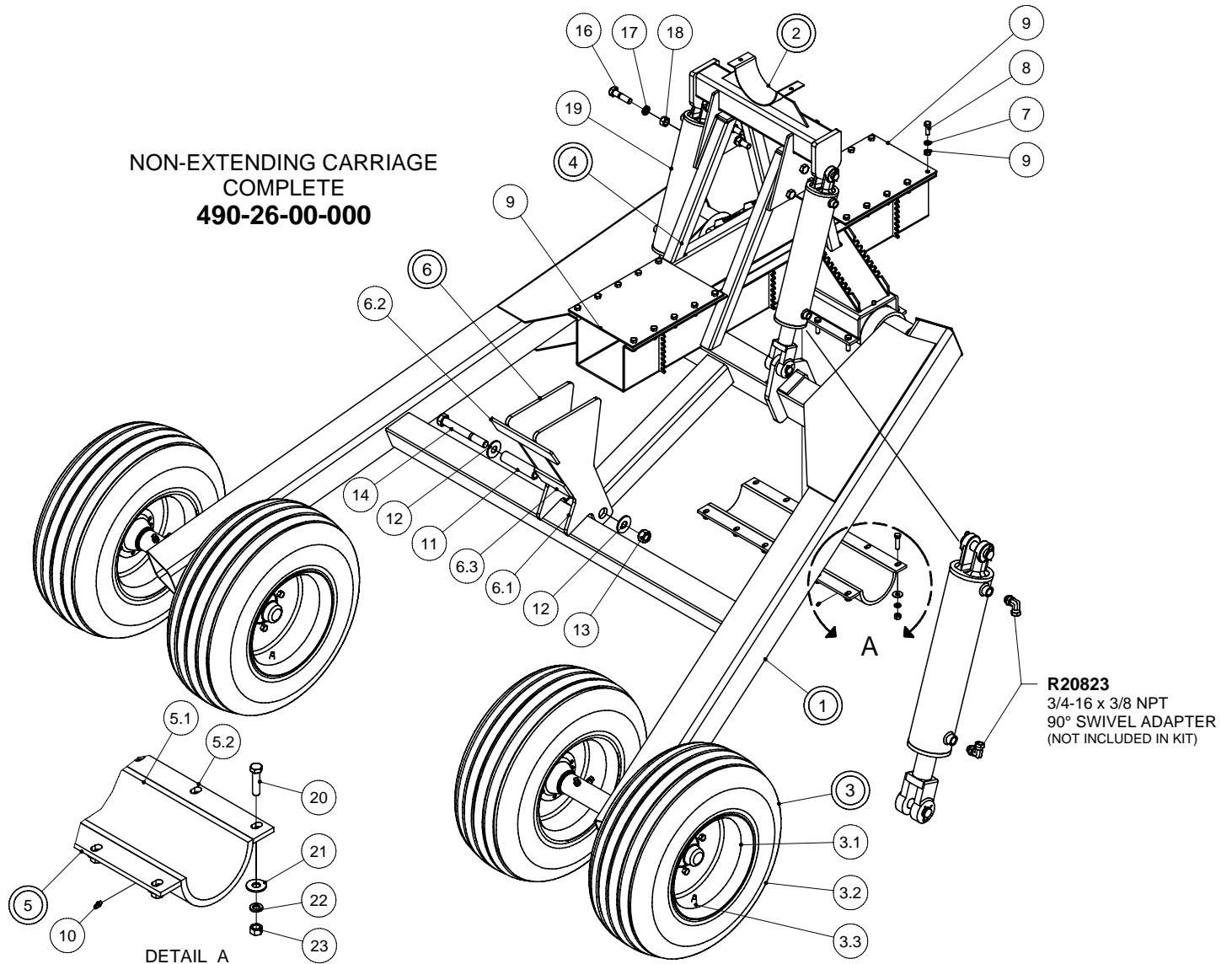
PARTS LIST				PARTS LIST			
ITEM	PART NUMBER	DESCRIPTION	QTY	ITEM	PART NUMBER	DESCRIPTION	QTY
1	490-16-09-000	RH CYLINDER MOUNT ASSY	1	3.1	490-16-04-025	TUBE COVER	1
1.1	490-16-09-183	RH TIE PLATE	1	3.2	490-16-04-024	HALF TUBE	1
1.2	490-16-09-109	LOWER LEG	1	4	490-16-04-023	SADDLE	1
1.3	490-16-09-110	UPPER LEG	1	5	490-16-04-028	LOWER GUSSET	2
2	490-16-10-000	LH CYLINDER MOUNT ASSY	1	6	490-16-04-027	GUSSET	4
2.1	490-16-10-184	LH TIE PLATE	1	7	490-16-04-132	RH CAP w/ HOSE HOLDER	1
2.2	490-16-09-109	LOWER LEG	1	8	490-16-04-133	LH CAP w/ HOSE HOLDER	1
2.3	490-16-09-110	UPPER LEG	1	9	490-03-00-011	HYDRAULIC HOSE HOLDER	6
3	490-16-12-000	UPPER HALF TUBE ASSY	1				

TIE BAR ASSEMBLY-8" 490-16-11-000



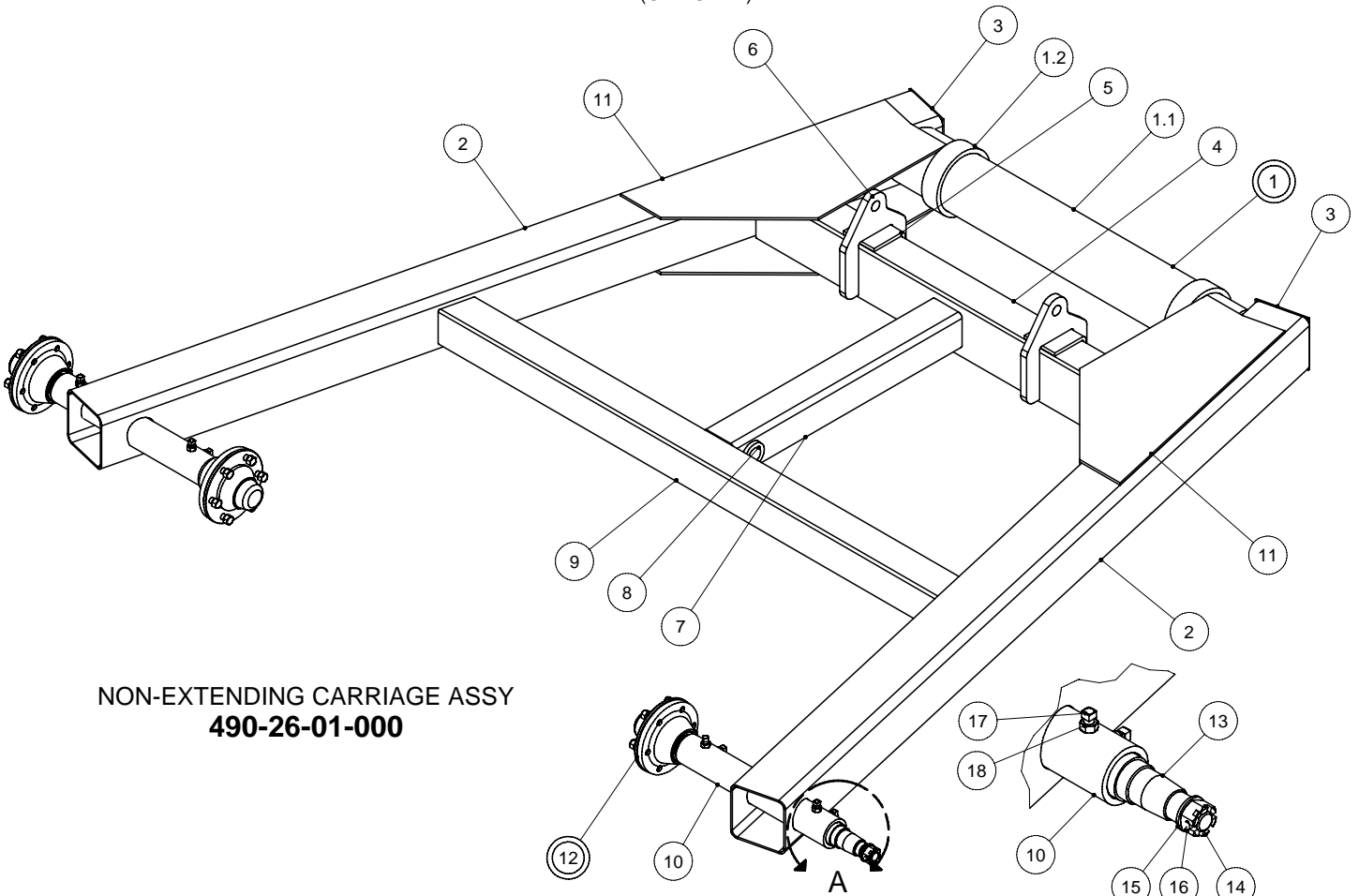
PARTS LIST			
ITEM	PART NUMBER	DESCRIPTION	QTY
1	490-16-11-180	CROSS TUBE	1
2	490-16-11-181	SUPPORT HOLDER	1
3	490-16-11-182	CYLINDER LUG	2
4	490-16-11-185	ATTACHMENT PLATE	2
5	290-23-00-093	DISCHARGE SUPPORT	1

NON-EXTENDING CARRIAGE COMPLETE (OPTIONAL)



PARTS LIST				PARTS LIST			
ITEM	PART NUMBER	DESCRIPTION	QTY	ITEM	PART NUMBER	DESCRIPTION	QTY
1	490-26-01-000	CARRIAGE ASSY-NON EXTENDING	1	9	490-16-00-099	AXLE HOLD DOWN PLATE	2
2	490-16-11-000	TIE BAR AND TUBE HOLDER ASSY	1	10	R08183	1/4" - 28 STRAIGHT GREASE FITTING	3
3	290-31-00-000	11L x 15 TIRE AND WHEEL ASSY	4	11	490-16-00-143	CARRIAGE LOCK PIVOT SLEEVE	1
3.1	R20045	15 x 8 x 6 BOLT WHEEL	1	12	R07828	1" FLAT WASHER	2
3.2	R20043	11L x 15 RIB IMP 6 PL TIRE	1	13	R07882	1" - 2 WAY LOCK NUT	1
3.3	R20020	VALVE STEM	1	14	R07669	1 x 8" HEX BOLT	1
4	490-16-04-000	SADDLE & CYLINDER BRKT ASSY	1	15	R07785	1/2 HEX NUT	20
5	490-04-00-000	LOWER CARRIAGE MOUNT ASSY	1	16	R08429	3/4 x 3" HEX BOLT-GR 8	6
5.1	490-04-00-138	LOWER HALF TUBE	1	17	R07807	3/4" LOCK WASHER	6
5.2	490-04-00-034	LOWER CARRIAGE STRAP	2	18	R07787	3/4-10 UNC HEX NUT	6
6	490-28-00-000	CARRIAGE LOCK ASSY	1	19	R22340	40WD16-200 HYD CYLINDER	2
6.1	490-28-00-140	CARRIAGE LOCK SIDE PLATE	2	20	R07639	1/2 x 2 UNC HEX BOLT	12
6.2	490-28-00-257	UPPER STOP PLATE	1	21	R07825	1/2" FLAT WASHER	12
6.3	490-28-00-141	STOP PLATE	1	22	R07805	1/2" LOCK WASHER	12
7	R07805	1/2 LOCK WASHER	20	23	R07785	1/2-13 UNC HEX NUT	12
8	R07638	1/2 x 1 1/2 HEX BOLT	20				

NON EXTENDING CARRIAGE ASSY
(OPTIONAL)

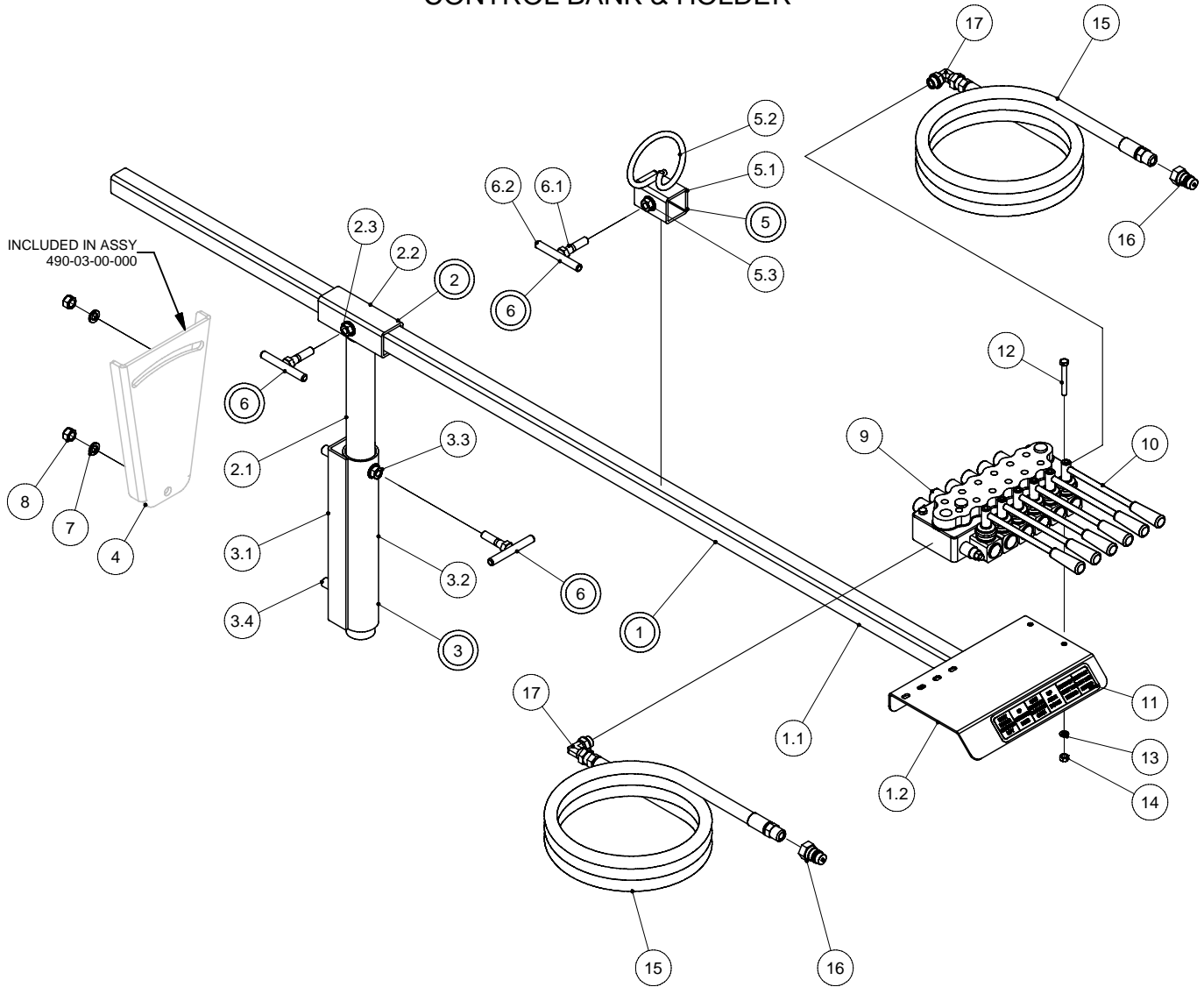


NON-EXTENDING CARRIAGE ASSY
490-26-01-000

DETAIL A

PARTS LIST			
ITEM	PART NUMBER	DESCRIPTION	QTY
1	490-16-07-000	CARRIAGE CROSS TUBE ASSY	1
1.1	490-16-07-074	CROSS TUBE	1
1.2	490-16-07-076	CYLINDER LUG SLEEVE	2
2	490-26-01-128	CARRIAGE LEG	2
3	490-26-01-129	LEG CAP	2
4	490-16-08-081	CYLINDER BRKTS CROSS MEMBER	1
5	490-16-08-186	REINFORCING ANGLE	2
6	490-16-08-079	CYLINDER LUG	2
7	490-16-08-085	VERTICAL SUPPORT TUBE	1
8	490-16-08-142	CARRIAGE LOCK INNER SLEEVE	1
9	490-16-08-077	CROSS BRACE	1
10	490-16-02-060	SPINDLE SLEEVE	2
11	490-16-08-080	CARRIAGE GUSSET	4
12	290-59-00-000	5000LB - 6 BOLT HUB ASSY	4
13	490-16-00-082	LOWER SPINDLE	4
14	R20117	SPINDLE NUT	4
15	R20154	SPINDLE WASHER	4
16	R08015	3/16 x 2 COTTER PIN	4
17	R07923	1/2 x 1 1/2" SQ HD SET SCREW	8
18	R07785	1/2 HEX NUT	8

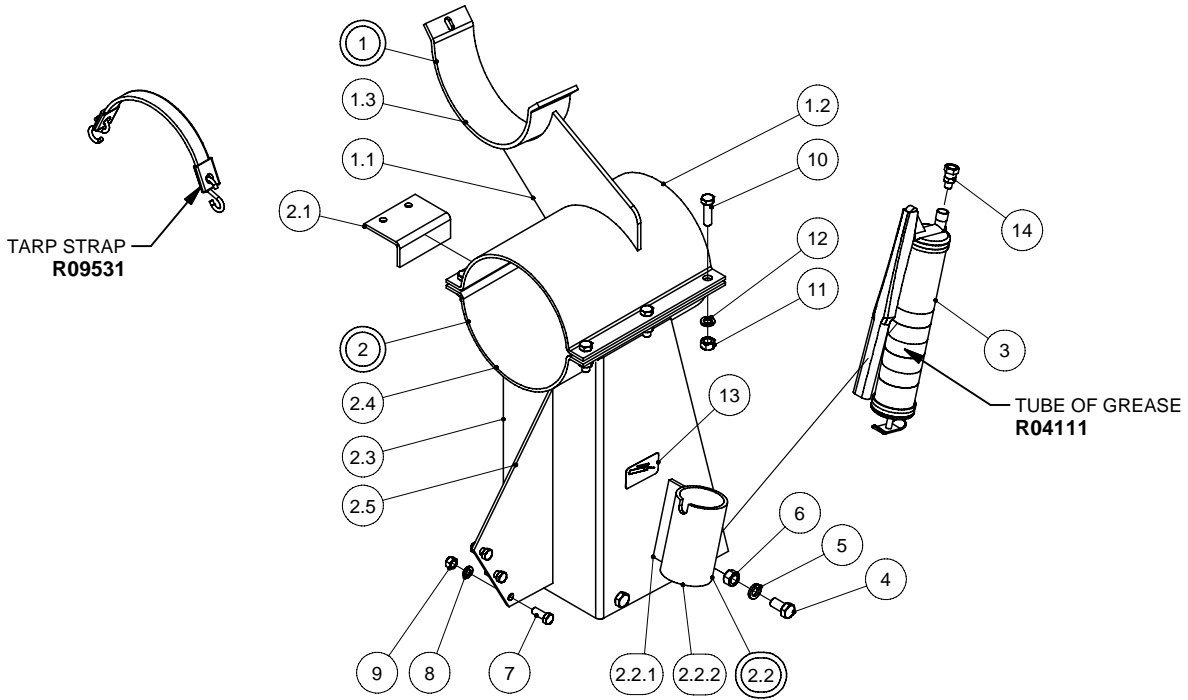
CONTROL BANK & HOLDER



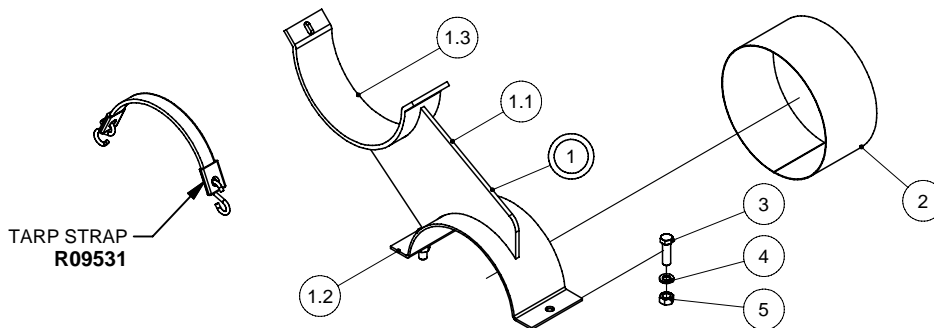
INCLUDED IN ASSY
490-03-00-000

PARTS LIST				PARTS LIST			
ITEM	PART NUMBER	DESCRIPTION	QTY	ITEM	PART NUMBER	DESCRIPTION	QTY
1	490-25-00-000	CONTROL BANK HOLDER ASSY	1	5.3	R07795	1/2" UNC FLANGE NUT	1
1.1	296-24-00-087	CONTROL HOLDER ARM	1	6	296-22-00-000	TEE HANDLE ASSY	3
1.2	490-25-00-123	CONTROL BANK MOUNT PLATE	1	6.1	R07639	1/2 x 2 HEX BOLT	1
2	296-23-00-000	CONTROL BANK HOLDER ADJ. ASSY	1	6.2	296-22-00-084	TEE HANDLE	1
2.1	296-23-00-085	ADJUSTABLE VERTICAL BAR	1	7	R07805	1/2" LOCK WASHER	2
2.2	296-23-00-086	ADJUSTMENT SLEEVE	1	8	R07785	1/2-13 UNC HEX NUT	2
2.3	R07795	1/2" UNC FLANGE NUT	1	9	R22254	6 BANK MONOBLOCK VALVE	1
3	296-48-00-000	PIVOT ASSY-LONG	1	10	R22251	VALVE HANDLE ASSY	6
3.1	296-48-00-132	PIVOT CHANNEL	1	11	R10332	PL490 CONTROL VALVE STICKER	1
3.2	296-48-00-133	PIVOT TUBE	1	12	R07614	5/16 x 2 1/2 UNC HEX BOLT	3
3.3	R07795	1/2" UNC FLANGE NUT	1	13	R07802	5/16" LOCK WASHER	3
3.4	R07673	5/8 x 1 1/4" UNC HEX BOLT	2	14	R07782	5/16-18 UNC HEX NUT	3
4	296-01-00-131	PIVOT PLATE	1	15	290-33-00-000	1/2" HYDRAULIC HOSE ASSY	2
5	296-25-00-000	ADJUSTABLE HYD HOSE HOLDER ASSY	1	16	R21342	1/2" MALE PIONEER TIP	2
5.1	296-25-00-089	HOSE HOLDER SLEEVE	1	17	R20814	3/4 SAE x 1/2 NPT x 90 DEG SW.	2
5.2	296-25-00-090	HYD HOSE HOLDER	1			ADAPTER	

DISCHARGE PIPE HOLDER-8"

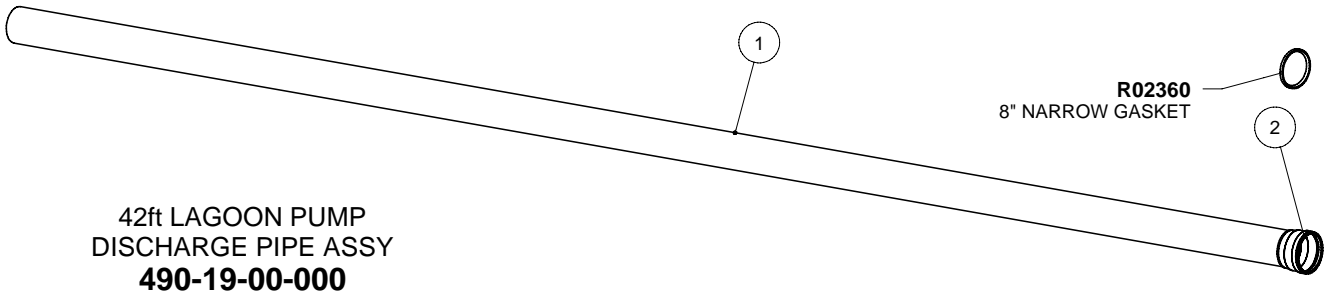


PARTS LIST				PARTS LIST			
ITEM	PART NUMBER	DESCRIPTION	QTY	ITEM	PART NUMBER	DESCRIPTION	QTY
1	490-11-00-000	UPPER DISCH. PIPE HOLDER ASSY	1	3	R10351	GREASE GUN	1
1.1	490-11-00-046	UPPER DISCH. ATTACHMENT PLATE	1	4	R07637	1/2 x 1 UNC HEX BOLT	4
1.2	242-00-00-221	CONE CLAMP ON BRKT	1	5	R07805	1/2" LOCK WASHER	4
1.3	270-01-07-015	CENTER DISCHARGE PIPE HOLDER	1	6	R07785	1/2-13 UNC HEX NUT	4
2	490-47-00-000	UPPER DISCH. PIPE HOLDER ASSY-8"	1	7	R07619	3/8 x 1 UNC HEX BOLT	3
2.1	490-21-00-106	ATTACHMENT BRKT	1	8	R07803	3/8" LOCK WASHER	3
2.2	291-07-08-000	GREASE GUN MOUNT PLATE	1	9	R07783	3/8-16 UNC HEX NUT	3
2.2.1	291-07-08-310	GREASE GUN HOLDER STANDOFF	1	10	R07629	7/16 x 1 1/2 UNC HEX BOLT	6
2.2.2	291-07-08-309	GREASE GUN HOLDER	1	11	R07784	7/16-14 UNC HEX NUT	6
2.3	490-47-00-198	TOP DISCHARGE SUPPORT-8" PIPE	1	12	R07804	7/16" LOCK WASHER	6
2.4	242-00-00-221	CONE CLAMP ON BRKT	1	13	R09661	GREASE DAILY 10 PUMPS - DECAL	1
2.5	490-47-00-252	PIPE HOLDER GUSSET	1	14	R21254	1/8M X 1/4F SWIVEL ADAPTOR	1

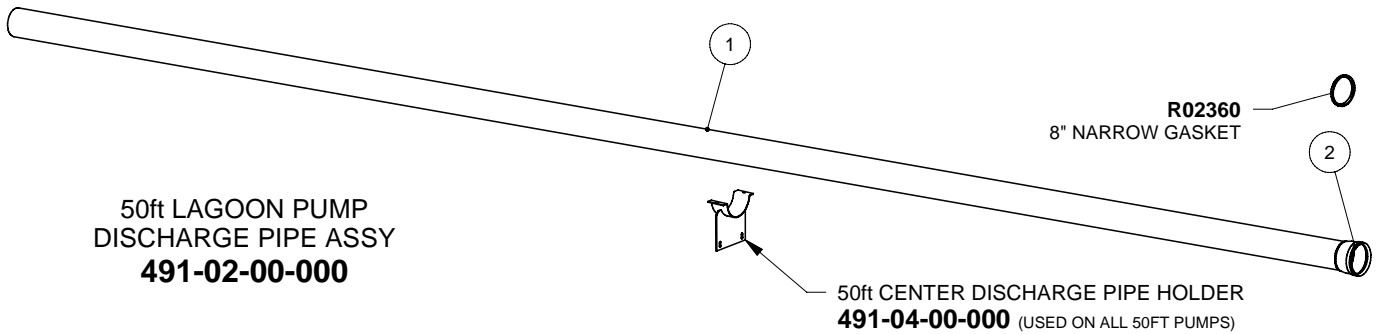


PARTS LIST				PARTS LIST			
ITEM	PART NUMBER	DESCRIPTION	QTY	ITEM	PART NUMBER	DESCRIPTION	QTY
1	490-10-00-000	LOWER DISCH. PIPE HOLDER ASSY	1	2	290-00-00-095	PIPE CUSHION	1
1.1	490-10-00-044	LOWER DISCH. ATTACHMENT PLATE	1	3	R07629	7/16 x 1 1/2 UNC HEX BOLT	2
1.2	290-23-00-093	DISCHARGE SUPPORT	1	4	R07804	7/16" LOCK WASHER	2
1.3	270-01-07-015	CENTER DISCHARGE PIPE HOLDER	1	5	R07784	7/16-14 UNC HEX NUT	2

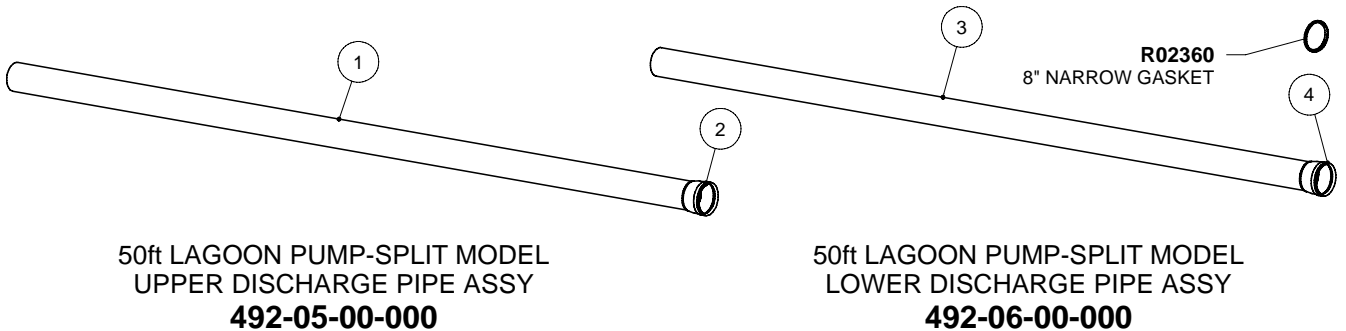
LAGOON PUMP DISCHARGE PIPES-8in



PARTS LIST			
ITEM	PART NUMBER	DESCRIPTION	QTY
1	490-19-00-098	ALUMINUM DISCHARGE PIPE	1
2	R02982	8" RW COUPLER-NARROW	1

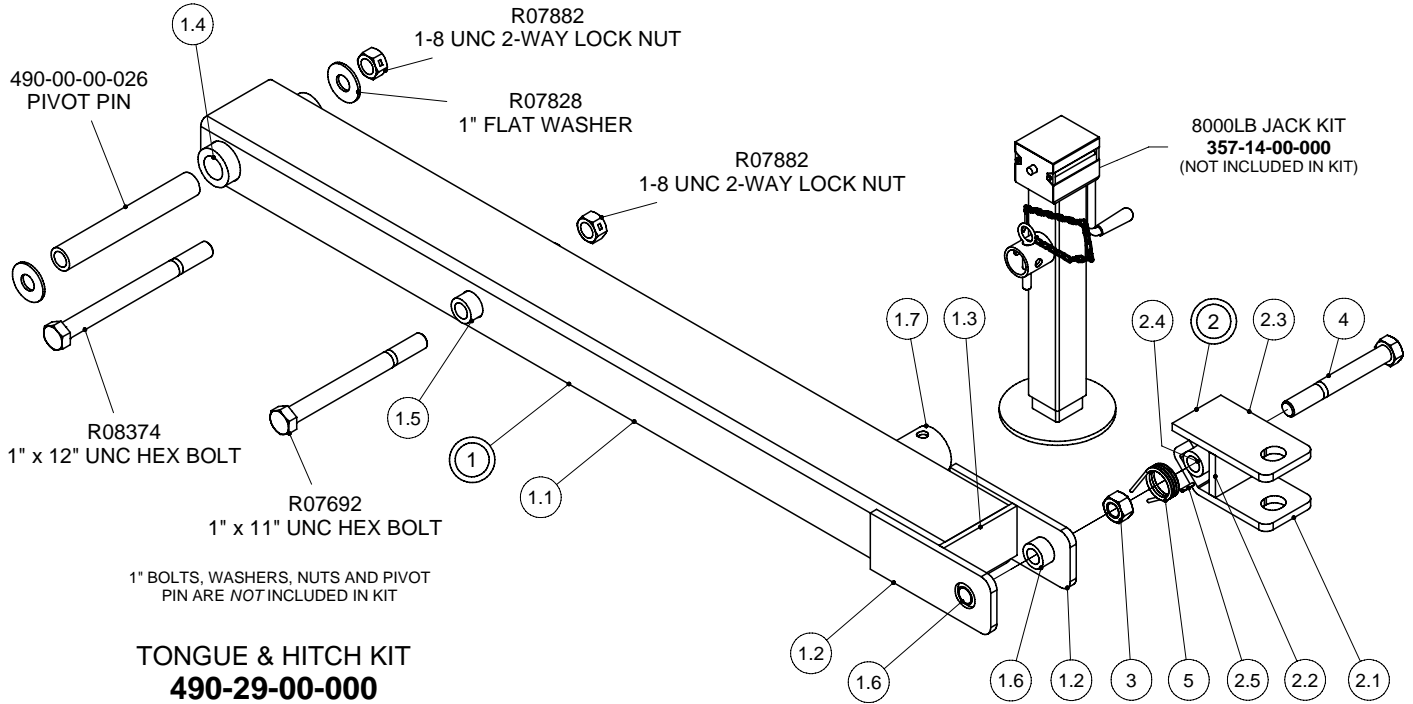


PARTS LIST			
ITEM	PART NUMBER	DESCRIPTION	QTY
1	491-02-00-232	ALUMINUM DISCHARGE PIPE	1
2	R02982	8" RW COUPLER-NARROW	1



PARTS LIST				PARTS LIST			
ITEM	PART NUMBER	DESCRIPTION	QTY	ITEM	PART NUMBER	DESCRIPTION	QTY
1	492-05-00-290	TOP STATIONARY DISCHARGE PIPE	1	3	492-06-00-291	LOWER STATIONARY DISCHRG. PIPE	1
2	R02982	8" RW COUPLER-NARROW	1	4	R02982	8" RW COUPLER-NARROW	1

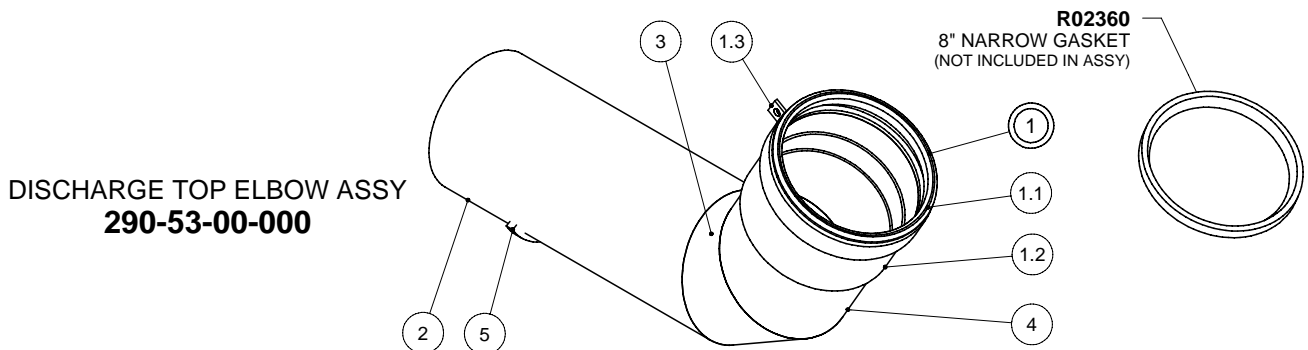
TONGUE KIT & DISCHARGE ELBOW



1" BOLTS, WASHERS, NUTS AND PIVOT PIN ARE NOT INCLUDED IN KIT

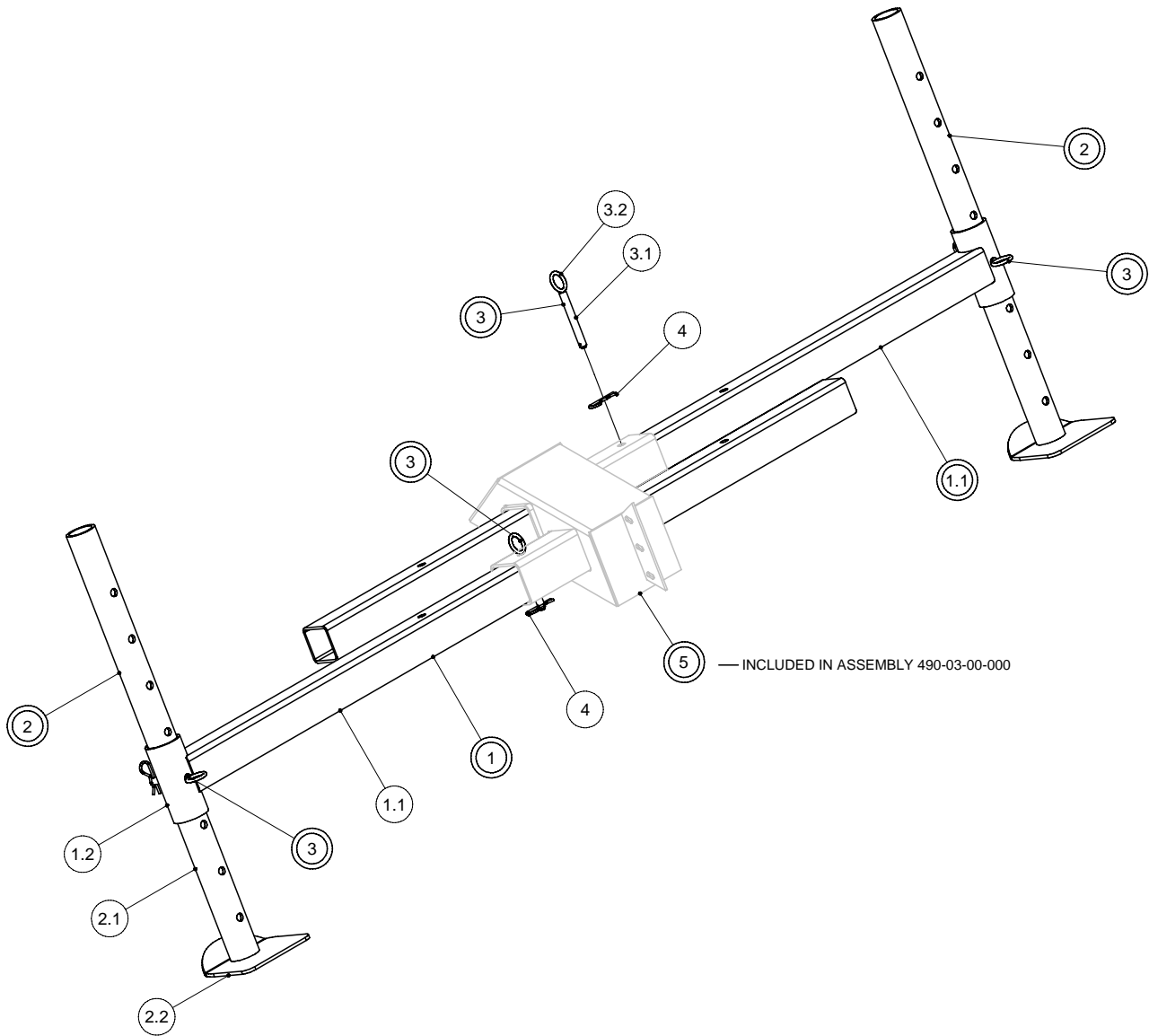
**TONGUE & HITCH KIT
490-29-00-000**

PARTS LIST				PARTS LIST			
ITEM	PART NUMBER	DESCRIPTION	QTY	ITEM	PART NUMBER	DESCRIPTION	QTY
1	490-29-01-000	TONGUE ASSY	1	2.1	490-29-02-153	LOWER HITCH PLATE	1
1.1	490-29-01-146	TONGUE TUBE	1	2.2	490-29-02-152	REINFORCING PLATE	1
1.2	490-29-01-149	SIDE PLATE	2	2.3	490-29-02-154	UPPER HITCH PLATE	1
1.3	490-29-01-150	UPPER END CAP	1	2.4	490-29-02-155	HITCH SLEEVE	1
1.4	490-13-00-052	HD TONGUE SLEEVE	1	2.5	R07950	3/16 x 1 1/4 ROLL PIN	1
1.5	490-13-00-051	TONGUE SLEEVE	1	3	R07882	1" - 2 WAY LOCK NUT	1
1.6	490-29-01-148	SIDE PLATE SLEEVE	2	4	R07669	1 x 8" HEX BOLT	1
1.7	364-35-00-245	TONGUE JACK BRKT	1	5	R08372	TORSION SPRING - 1 3/4 ID x 3/16"	1
2	490-29-02-000	HITCH ASSY	1			WIRE	



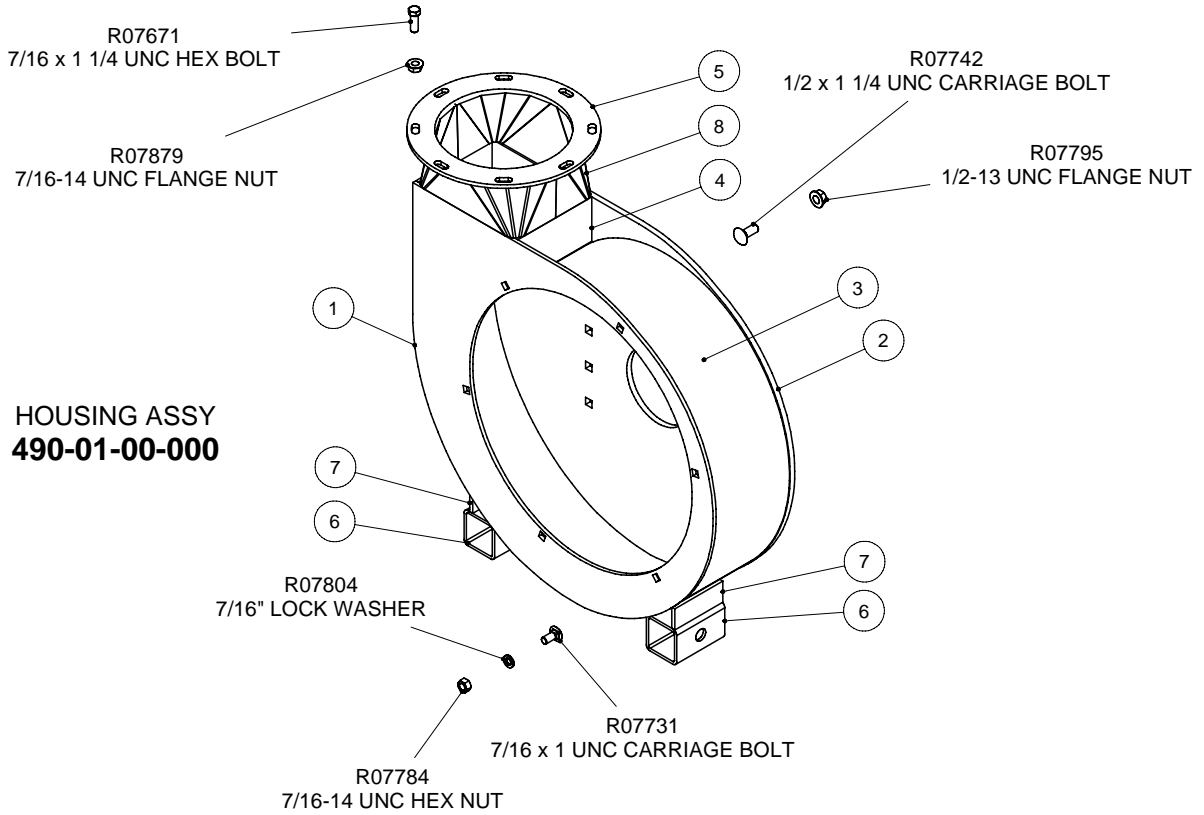
PARTS LIST				PARTS LIST			
ITEM	PART NUMBER	DESCRIPTION	QTY	ITEM	PART NUMBER	DESCRIPTION	QTY
1	290-53-01-000	UPPER EXTENSION PIPE ASSY	1	2	290-26-00-108	ELBOW BOTTOM PC	1
1.1	244-07-01-306	COUPLING BASE	1	3	290-26-00-109	ELBOW MIDDLE PC	1
1.2	242-09-09-048	EXTENSION PIPE	1	4	290-26-00-110	ELBOW TOP PC	1
1.3	250-96-00-298	CHAIN LUG	1	5	290-26-00-111	STOP	1

STABILIZER LEGS



PARTS LIST			
ITEM	PART NUMBER	DESCRIPTION	QTY
1	490-27-00-000	STABILIZER ARM ASSY	2
1.1	490-27-00-137	STABILIZER ARM	1
1.2	270-01-02-005	STAND SLEEVE	1
2	290-16-00-000	STABILIZER LEG ASSY	2
2.1	290-16-00-087	STABILIZER LEG	1
2.2	290-16-00-150	FOOT FOR STABILIZER LEG	1
3	270-05-00-000	STAND PIN ASSY	4
3.1	270-05-00-043	STAND PIN	1
3.2	R07925	1/4 x 1 1/2 PLATED RING	1
4	R07948	5/32 HAIR PIN	4
5	490-03-03-000	STABILIZER ARM SUPPORT TUBE ASSY	1

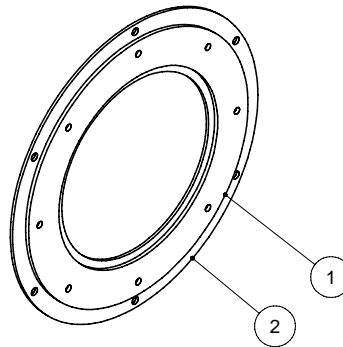
HOUSING & COVER PLATE



**HOUSING ASSY
490-01-00-000**

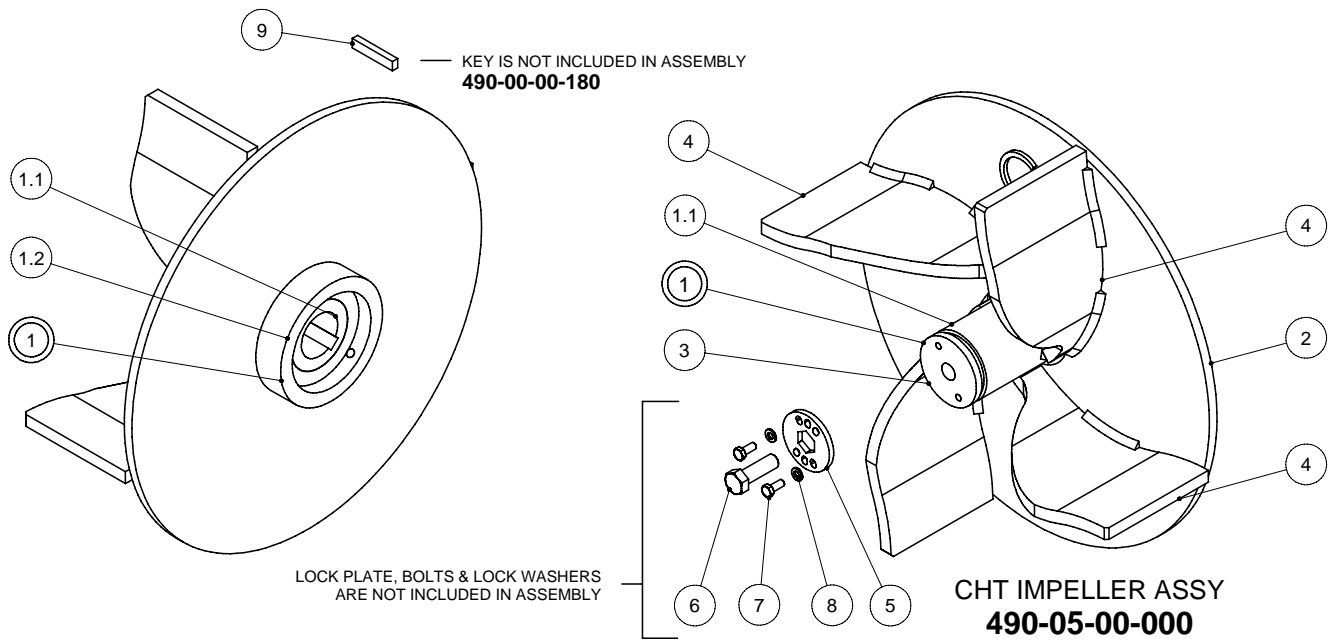
**CHT COVER PLATE ASSY
490-06-00-000**

PARTS LIST			
ITEM	PART NUMBER	DESCRIPTION	QTY
1	490-01-00-001	HOUSING BOTTOM PLATE	1
2	490-01-00-002	HOUSING TOP PLATE	1
3	490-01-00-003	HOUSING BAND	1
4	490-01-00-004	HOUSING FILLER PLATE	1
5	490-01-00-006	HOUSING FLANGE	1
6	490-01-00-173	SLIDE ATTACHMENT TUBE	2
7	490-01-00-174	TUBE REINFORCING PLATE	2
8	490-01-00-005	TRANSITION PC	2

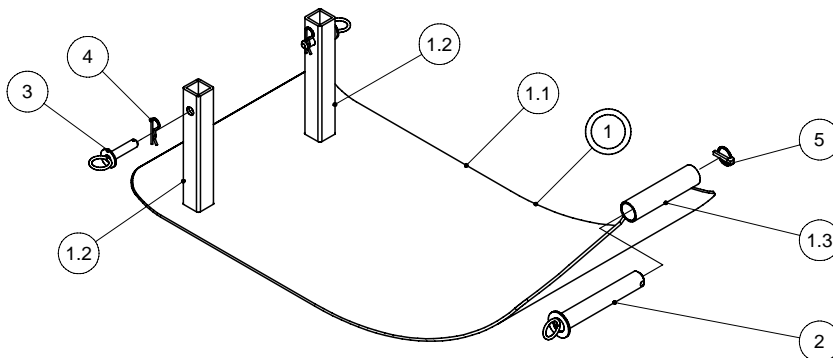


PARTS LIST			
ITEM	PART NUMBER	DESCRIPTION	QTY
1	244-33-00-357	CHT COVER PLATE SUPPORT	1
2	490-06-00-125	CHT COVER PLATE	1

IMPELLER & SLIDE ASSY

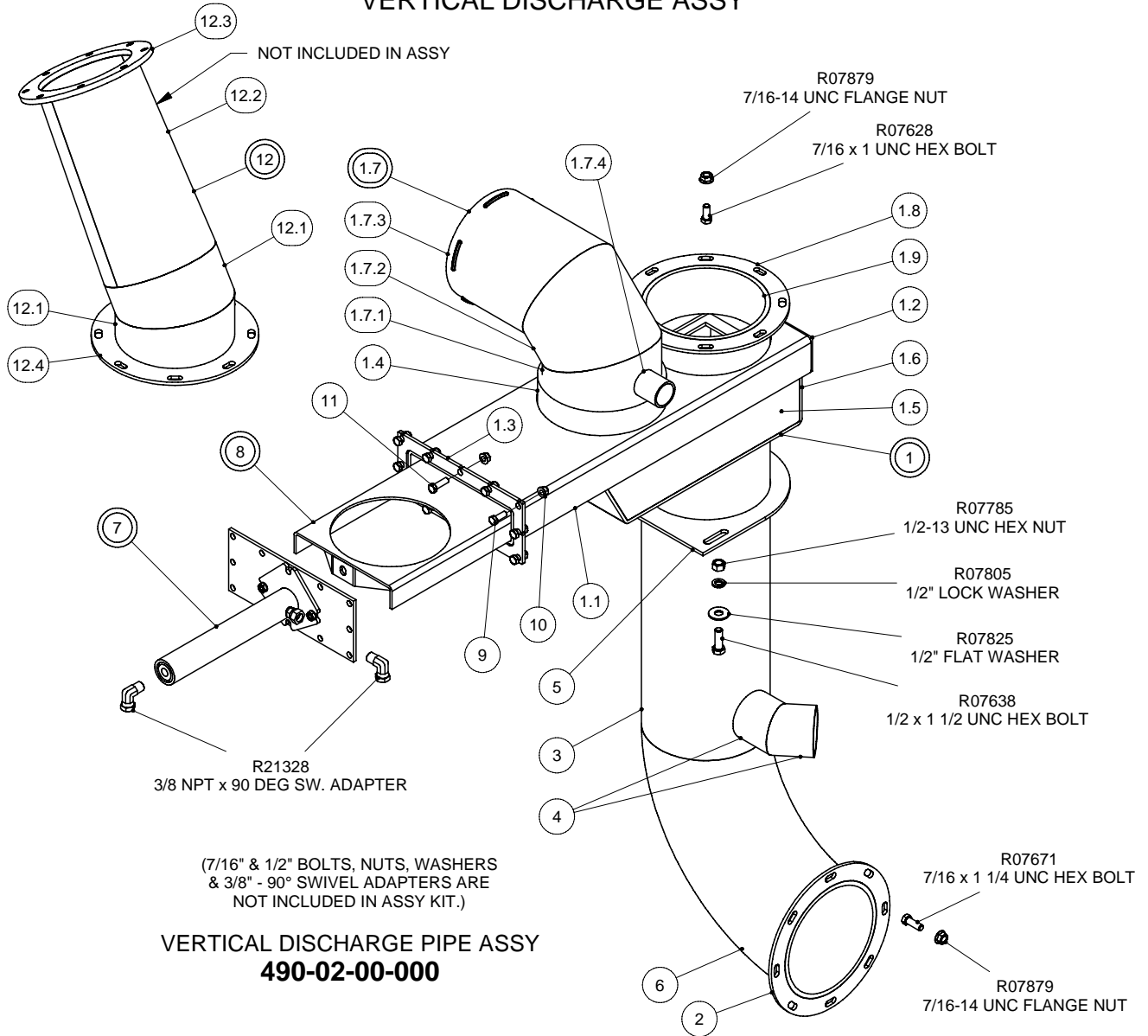


PARTS LIST			
ITEM	PART NUMBER	DESCRIPTION	QTY
1	490-05-01-000	PL490 IMPELLER HUB ASSY	1
1.1	490-05-00-037	IMPELLER HUB	1
1.2	490-05-00-061	IMPELLER BACK SPACER PLATE	1
2	244-34-00-358	CHT IMPELLER BACK PLATE	1
3	490-05-00-038	IMPELLER HUB CAP	1
4	290-94-02-289	CHT IMPELLER BLADE	4
5	490-00-00-187	IMPELLER BOLT LOCK PLATE	1
6	R08357	M16 x 50 METRIC HEX BOLT	1
7	R07676	5/16 x 3/4 HEX BOLT	2
8	R07802	5/16 LOCK WASHER	2
9	490-00-00-188	IMPELLER KEY	1



PARTS LIST				PARTS LIST			
ITEM	PART NUMBER	DESCRIPTION	QTY	ITEM	PART NUMBER	DESCRIPTION	QTY
1	490-09-00-000	SLIDE ASSY	1	2	490-46-00-000	LONG PIN ASSY	1
1.1	490-09-00-042	SLIDE	1	3	490-45-00-000	SMALL PIN ASSY-SLIDE	2
1.2	490-09-00-043	SLIDE LEG	2	4	R07948	5/32 HAIR PIN	2
1.3	490-09-00-168	SLIDE SLEEVE	1	5	R08040	2 - 18 LYNCH PIN	1

VERTICAL DISCHARGE ASSY

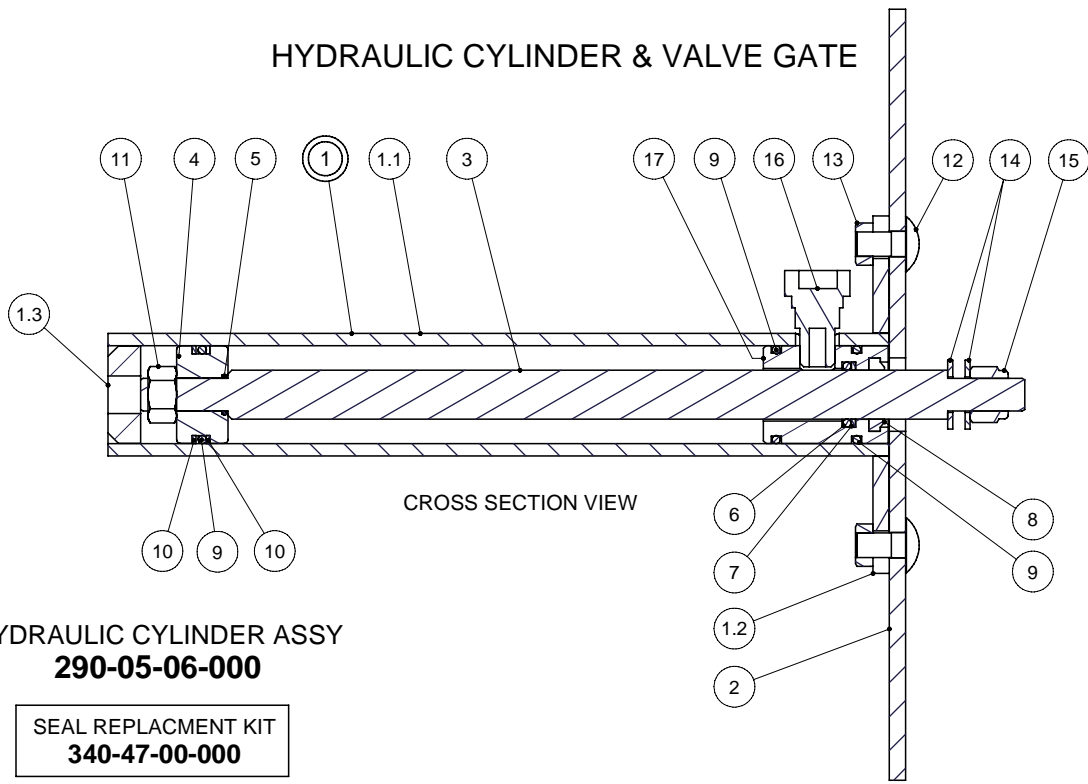


VERTICAL DISCHARGE PIPE ASSY
490-02-00-000

(7/16" & 1/2" BOLTS, NUTS, WASHERS
& 3/8" - 90° SWIVEL ADAPTERS ARE
NOT INCLUDED IN ASSY KIT.)

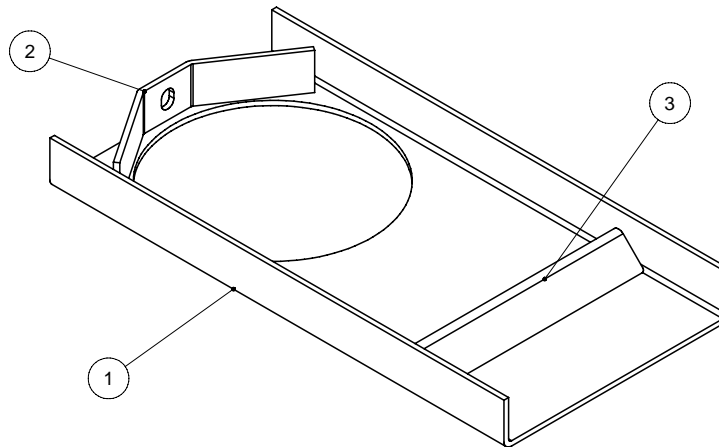
PARTS LIST				PARTS LIST			
ITEM	PART NUMBER	DESCRIPTION	QTY	ITEM	PART NUMBER	DESCRIPTION	QTY
1	490-02-02-000	VALVE BODY ASSY	1	3	490-02-00-007	VERTICAL DISCHARGE PIPE	1
1.1	490-02-02-189	VALVE BODY	1	4	490-02-00-008	3" AGITATOR PIPE	2
1.2	290-05-01-026	END CAP	1	5	490-02-00-015	VERTICAL PIPE HOLDER	1
1.3	290-05-01-027	VALVE BODY FLANGE	1	6	R02935	8" WELD ELBOW	1
1.4	290-05-01-028	VALVE EXTENSION PIPE	1	7	290-05-06-000	HYDRAULIC CYLINDER ASSY	1
1.5	490-02-02-107	INLET SIDE	2	8	290-05-04-000	VALVE GATE ASSY	1
1.6	490-02-02-108	INLET BASE	1	9	R07619	3/8 x 1 UNC HEX BOLT	10
1.7	490-02-03-000	VALVE ELBOW ASSY	1	10	R07794	3/8-16 UNC FLANGE NUT	12
1.7.1	490-02-03-009	ELBOW BASE PC	1	11	R07675	3/8 x 1 1/4 UNC HEX BOLT	2
1.7.2	490-02-03-010	ELBOW MIDDLE PC	1	12	490-02-01-000	AGITATOR EXTENTION PIPE ASSY	1
1.7.3	490-02-03-012	ELBOW TOP PC	1	12.1	490-02-01-013	ELBOW PC	2
1.7.4	490-02-03-256	VALVE ELBOW DRAIN PIPE	1	12.2	490-02-01-014	CONE HALF	2
1.8	490-02-00-197	ELBOW FLANGE	1	12.3	296-06-00-102	FLANGE	1
1.9	490-02-02-309	LONG VALVE EXTENSION PIPE	1	12.4	490-01-00-006	HOUSING FLANGE	1
2	490-02-00-197	ELBOW FLANGE	1				

HYDRAULIC CYLINDER & VALVE GATE



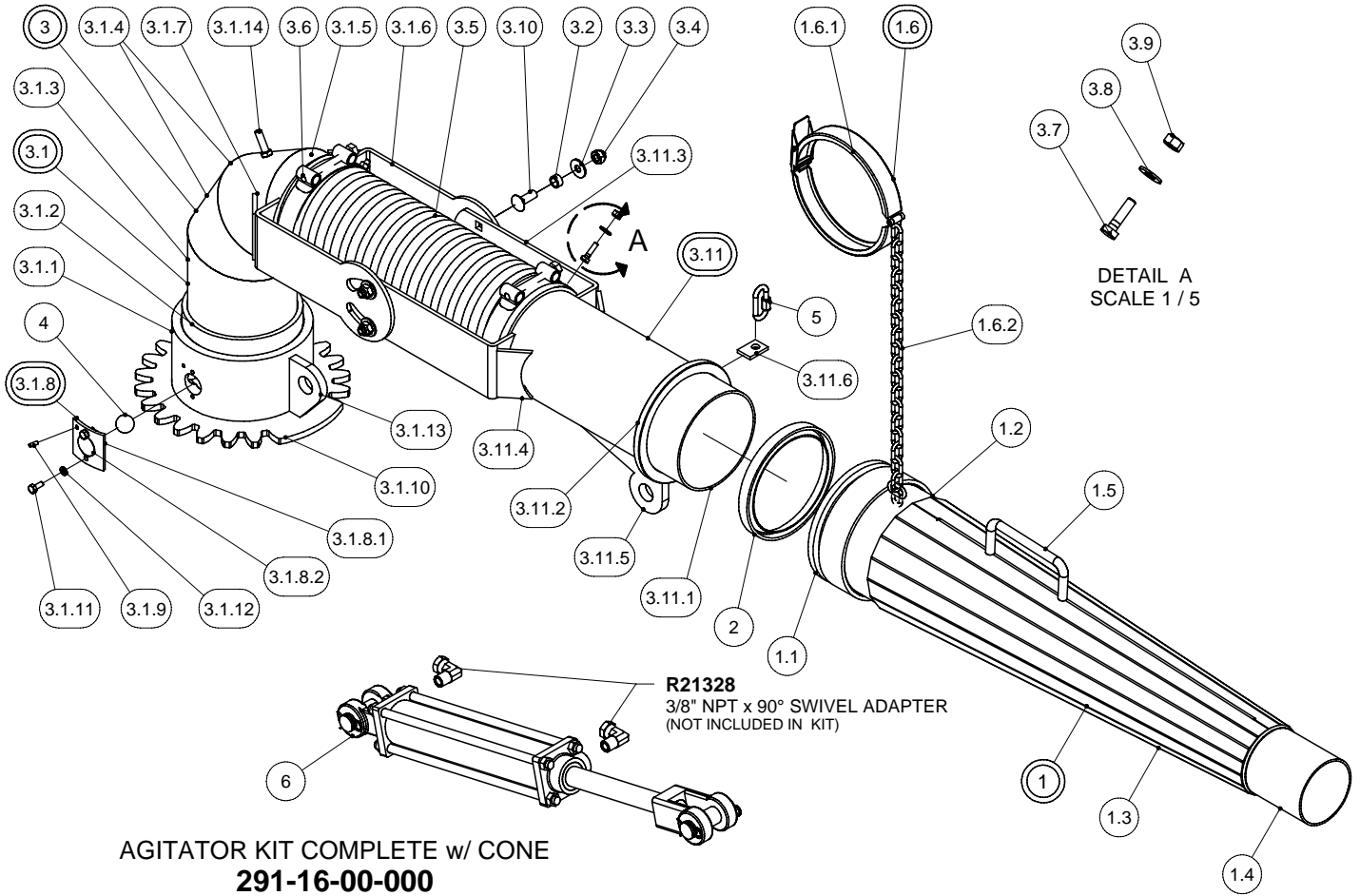
PARTS LIST				PARTS LIST			
ITEM	PART NUMBER	DESCRIPTION	QTY	ITEM	PART NUMBER	DESCRIPTION	QTY
1	290-05-05-000	VALVE CYLINDER TUBE ASSY	1	8	R20774	3/4" HYTREL ROD WIPER 52-750	1
1.1	290-05-05-278	HYD CYLINDER TUBE	1	9	R20866	O-RING #11-218	3
1.2	290-05-05-279	CYLINDER TUBE FLANGE	1	10	R20867	BACKUP RING #8-218	2
1.3	340-36-18-431	END CAP	1	11	R07885	1/2 - 2 WAY LOCK NUT	1
2	290-05-06-280	HYD CYLINDER FLANGE	1	12	R07776	3/8" x 3/4" CARRIAGE BOLT	2
3	290-05-03-031	CYLINDER SHAFT	1	13	R07794	3/8 FLANGE NUT	2
4	340-36-00-435	CYLINDER PLUNGER	1	14	R08222	1/2" SAE S.S. FLAT WASHER	2
5	R20865	O-RING #11-014	1	15	R08229	1/2" S.S. NYLOC HEX NUT	1
6	R20771	O-RING #11-210	1	16	R21287	1/4M x 3/8 SWIVEL ADAPTER	1
7	R20862	3/4" BACKUP #210	1	17	340-36-00-434	WIPER BLOCK	1

VALVE GATE ASSY 290-05-04-000



PARTS LIST			
ITEM	PART NUMBER	DESCRIPTION	QTY
1	290-05-04-032	VALVE GATE	1
2	290-05-04-033	VALVE GATE BRKT	1
3	290-05-04-037	VALVE GATE REINFORCING	1

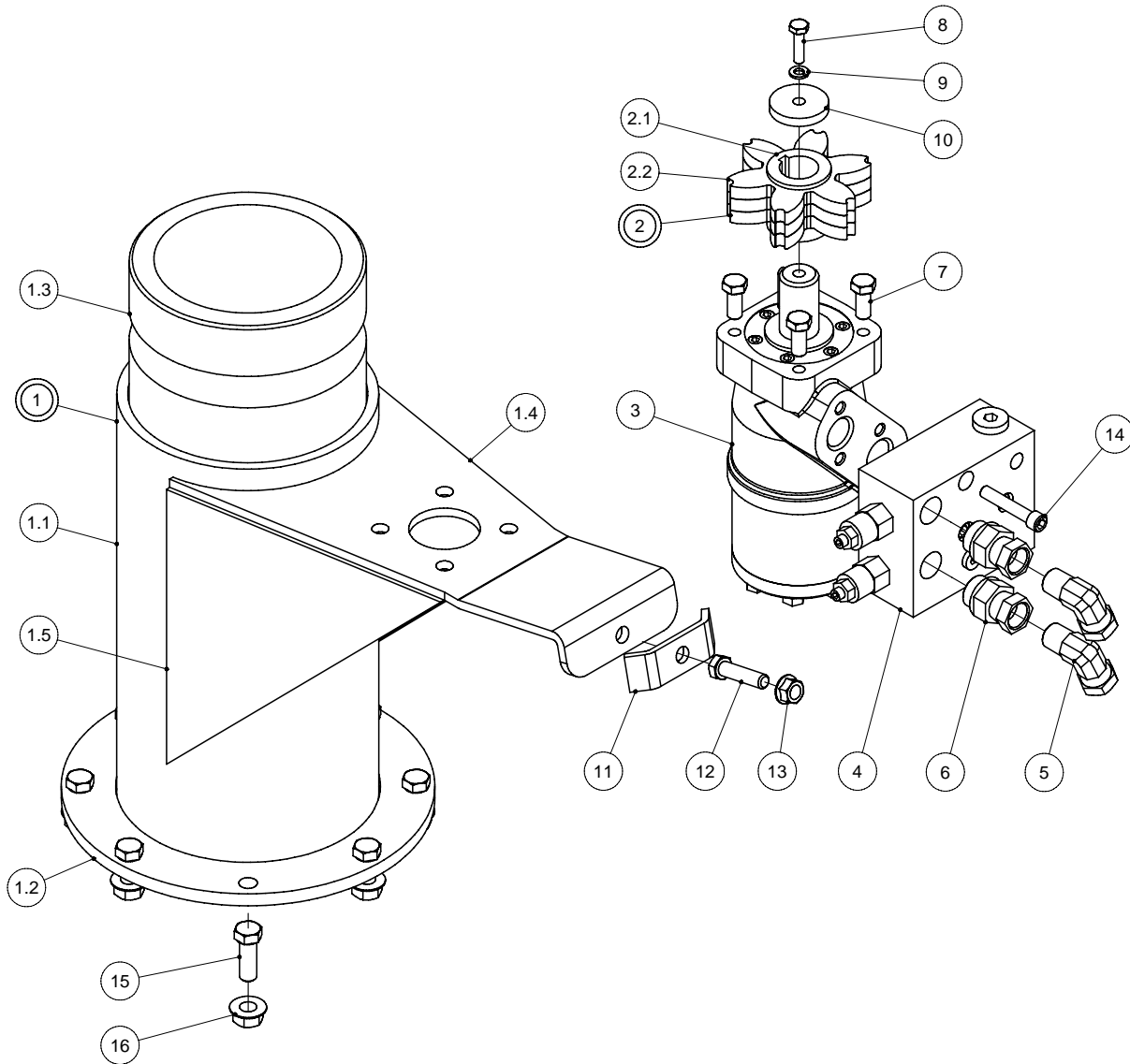
AGITATOR KIT COMPLETE



**AGITATOR KIT COMPLETE w/ CONE
291-16-00-000**

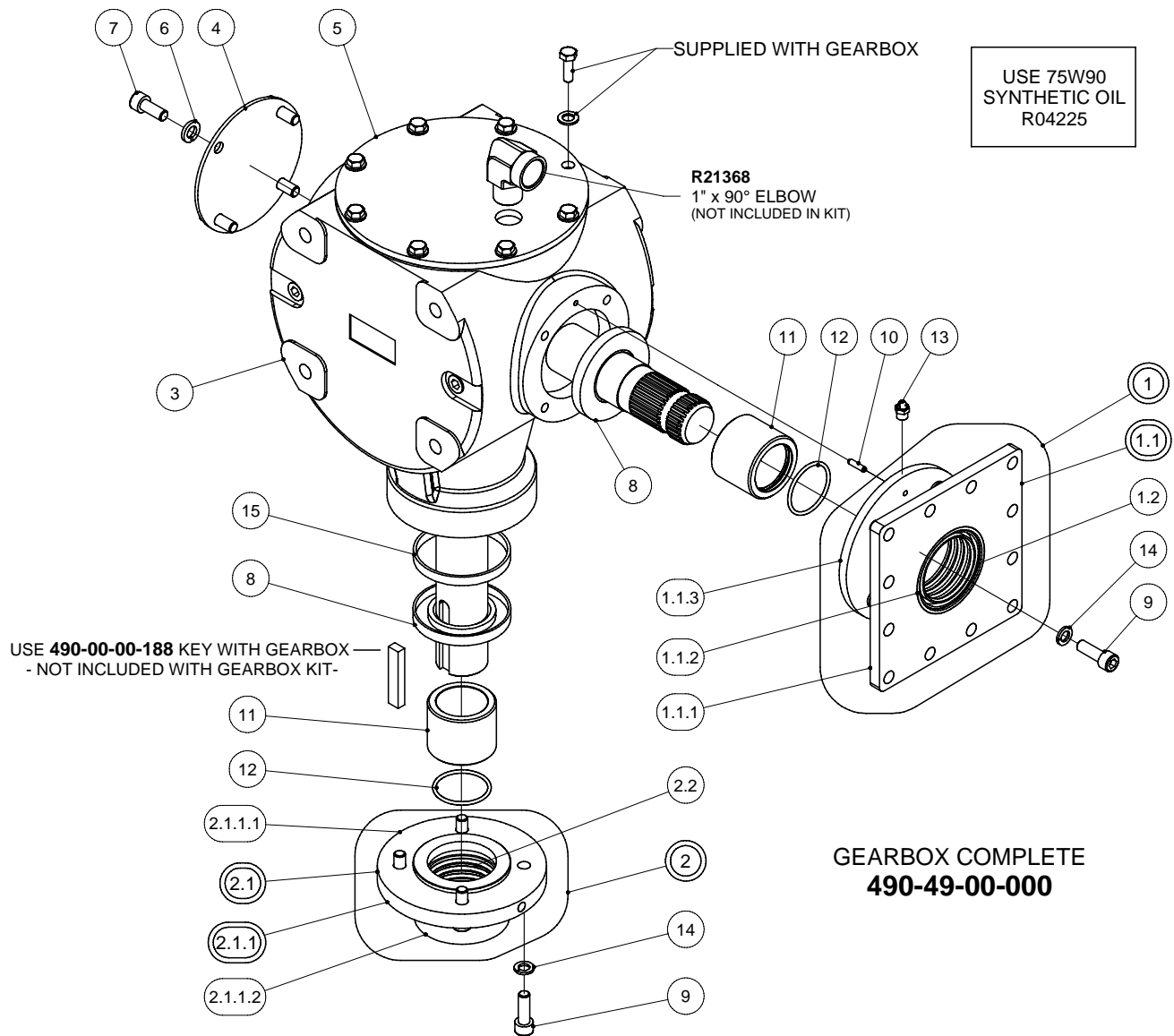
PARTS LIST				PARTS LIST			
ITEM	PART NUMBER	DESCRIPTION	QTY	ITEM	PART NUMBER	DESCRIPTION	QTY
1	244-12-07-000	CONE ASSY	1	3.1.11	R08233	1/4 x 5/8 SS HEX CAP SCREW	2
1.1	250-96-01-296	6" COUPLING BASE TUBE	1	3.1.12	R07801	1/4 LOCK WASHER	2
1.2	244-12-02-311	FILLER PIPE	1	3.1.13	291-16-05-353	INNER CYLINDER BRKT	1
1.3	244-12-03-314	CONE (HALF)	2	3.1.14	R07675	3/8 x 1 1/4 UNC HEX BOLT	1
1.4	244-12-05-319	STUB TUBE	1	3.2	244-05-00-281	SPACER PIPE	4
1.5	244-12-03-341	CONE HANDLE	1	3.3	R07824	7/16 FLAT WASHER	4
1.6	244-99-00-000	CLAMP & CHAIN ASSY	1	3.4	R08178	7/16 NYLOCK HEX NUT	4
1.6.1	R02487	6" RING LOCK CLAMP	1	3.5	270-63-00-187	FLEX HOSE	1
1.6.2	244-99-00-527	CLAMP CHAIN	1	3.6	R02482	6" HOSE CLAMP	2
2	R02366	6" RUBBER GASKET	2	3.7	R07601	1/4 x 1 HEX BOLT	4
3	291-16-03-000	AGITATOR SWIVEL KIT w/ RING	1	3.8	R07821	1/4 FLAT WASHER	4
3.1	291-16-05-000	AGITATOR ELBOW ASSY-2005	1	3.9	R07781	1/4 HEX NUT	4
3.1.1	290-30-00-128	OUTER ROLLER SLEEVE	1	3.10	R07774	7/16 x 1 1/4" GR 5 CARRIAGE BOLT	4
3.1.2	290-30-00-114	FILLER PIPE	1	3.11	291-16-04-000	CONE EXTENSION ASSY w/ RING	1
3.1.3	290-30-00-115	ELBOW BASE PC	1	3.11.1	291-16-04-355	EXTENSION PIPE	1
3.1.4	290-30-00-116	ELBOW MIDDLE PC	2	3.11.2	250-95-00-295	CLAMP RING	1
3.1.5	290-30-00-117	ELBOW TOP PC	1	3.11.3	244-05-46-277	INNER PIVOT BRKT	2
3.1.6	244-05-43-276	MAIN PIVOT BRKT	2	3.11.4	244-05-46-301	GUSSET	2
3.1.7	244-05-46-301	GUSSET	2	3.11.5	291-16-04-356	CYLINDER BRKT	1
3.1.8	275-05-00-000	CAP ASSY	1	3.11.6	250-96-00-298	CHAIN LUG	1
3.1.8.1	275-05-00-032	CAP PLATE	1	4	R20219	1" NYLON BALL	19
3.1.8.2	275-05-00-031	CAP PLUG	1	5	R08435	1/4 Quick Link	1
3.1.9	R08237	3/16 x 1/2 SS ROLL PIN	1	6	R20726	2 x 10 HYDRAULIC CYLINDER	1
3.1.10	290-30-00-118	ROTATOR SPROCKET	1				

ROTATE MOTOR AND PIPE



PARTS LIST				PARTS LIST			
ITEM	PART NUMBER	DESCRIPTION	QTY	ITEM	PART NUMBER	DESCRIPTION	QTY
1	296-06-06-000	VALVE TO ROTATOR PIPE ASSY	1	6	R21278	7/8-14 SAE M x 3/8 NPT F ADAPTER	2
1.1	296-06-06-049	LONG EXTENSION PIPE	1	7	R07670	3/8 x 7/8 UNC HEX BOLT	4
1.2	296-06-00-102	FLANGE	1	8	R07601	1/4 x 1 UNC HEX BOLT	1
1.3	290-18-00-090	INNER ROLLER HOLDER	1	9	R07801	1/4" LOCK WASHER	1
1.4	296-06-07-118	HYDRAULIC MOTOR MOUNT PLATE	1	10	290-00-00-098	SLEEVE CAP	1
1.5	296-06-07-119	MT PLATE SIDES	2	11	290-00-00-167	HYDRAULIC HOSE CLIP	1
2	290-25-00-000	6 TOOTH SPROCKET ASSY	1	12	R07620	3/8 x 1 1/2 UNC HEX BOLT	1
2.1	290-25-00-097	SPROCKET SLEEVE	1	13	R07794	3/8-16 UNC FLANGE NUT	1
2.2	290-25-00-096	6 TOOTH SPROCKET	3	14	R08175	5/16 x 1 3/4 UNC SHCS	4
3	R22255	M&S HYDRAULIC MOTOR	1	15	R07671	7/16 x 1 1/4 UNC HEX BOLT	8
4	R22256	OVER CENTER VALVE - M&S MOTOR	1	16	R07879	7/16-14 UNC FLANGE NUT	8
5	R21328	3/8 NPT x 90 DEG SW. ADAPTER	2				

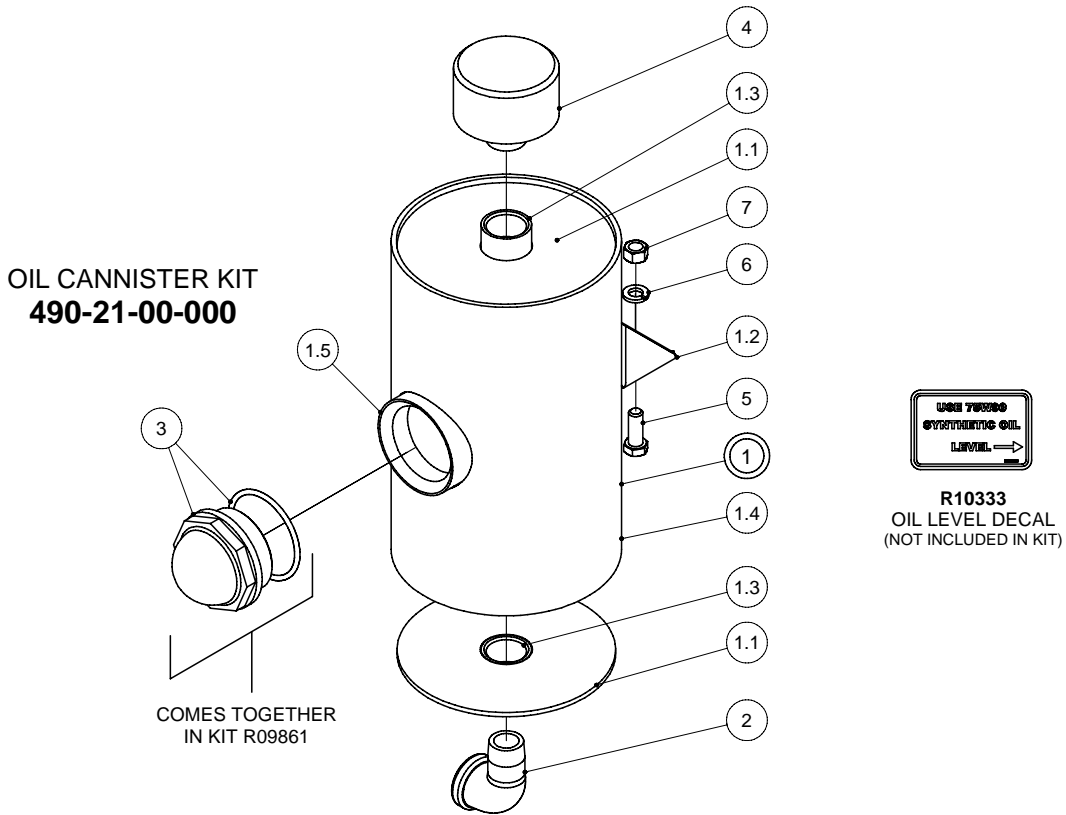
GEARBOX COMPLETE



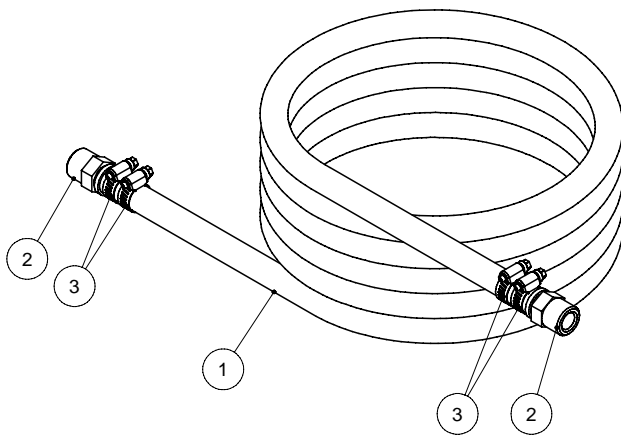
GEARBOX COMPLETE 490-49-00-000

PARTS LIST				PARTS LIST			
ITEM	PART NUMBER	DESCRIPTION	QTY	ITEM	PART NUMBER	DESCRIPTION	QTY
1	490-49-01-000	UPPER SEAL HOLDER COMPLETE	1	4	490-00-00-127	GEARBOX CAP	1
1.1	490-14-00-000	SEAL HOLDER ASSY - UPPER	1	5	490-00-00-134	GEARBOX TOP COVER PLATE	1
1.1.1	490-14-00-054	SEAL FLANGE PUMP	1	6	R07804	7/16 LOCK WASHER	4
1.1.2	490-14-00-055	SEAL SLEEVE	1	7	R08359	M10-1.5 x 25 SHCS	4
1.1.3	490-14-00-053	SEAL FLANGE-GEARBOX	1	8	R22300	45 x 85 x 10 METRIC SEAL	2
1.2	R22524	60 x 75 x 8 METRIC SEAL	4	9	R08358	M10-1.5 x 30	8
2	490-49-02-000	LOWER SEAL HOLDER COMPLETE	1	10	R07954	3/16" x 3/4" ROLL PIN	1
2.1	490-15-00-000	SEAL HOLDER ASSY - LOWER	1	11	R22447	HARDENED SEAL SLEEVE	2
2.1.1	490-15-01-000	SEAL HOLDER SUB ASSY	1	12	R22297	45 ID x 51 OD x 3 O-RING	2
2.1.1.1	490-15-00-071	SEAL FLANGE - LOWER GEARBOX	1	13	R08186	1/8" NPT GREASE FTG	1
2.1.1.2	490-15-00-072	LOWER SEAL SLEEVE	1	14	R08361	M10 LOCKWASHER-ZINC	8
2.2	R22524	60 x 75 x 8 METRIC SEAL	4	15	490-49-00-259	SEAL STOP RING	1
3	R22233	1:1 BONDIOLI GEARBOX - EXT SHAFT	1				

OIL CANNISTER & LINE ASSY



PARTS LIST				PARTS LIST			
ITEM	PART NUMBER	DESCRIPTION	QTY	ITEM	PART NUMBER	DESCRIPTION	QTY
1	490-21-02-000	OIL CANNISTER ASSY-2006	1	2	R02104	3/4" ST ELBOW - 90°	1
1.1	490-21-01-102	CANNISTER LID	2	3	R09861	CLEAR SIGHT EYE w/ O-RING	1
1.2	490-21-01-103	CANNISTER ATTACHMENT BRKT	1	4	R21103	FILLER BREATHER	1
1.3	R02079	3/4" HALF PIPE COUPLING	2	5	R07619	3/8 x 1 UNC HEX BOLT	2
1.4	490-21-02-254	OIL CANNISTER	1	6	R07803	3/8" LOCK WASHER	2
1.5	R10177	2" SIGHT EYE BODY	1	7	R07783	3/8-16 UNC HEX NUT	2

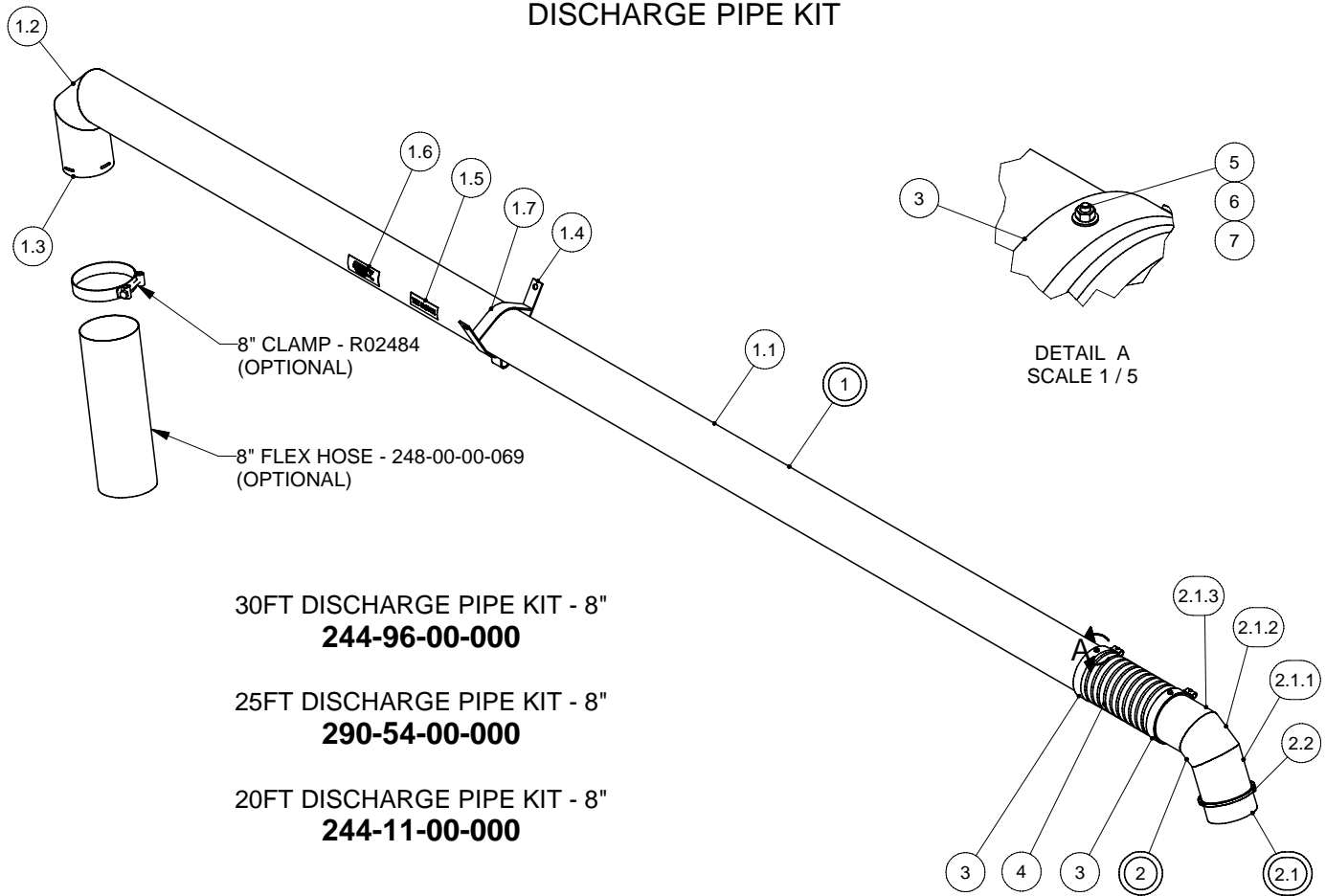


**OIL LINE ASSY - 42ft
490-21-00-000**

**OIL LINE ASSY - 50ft
491-12-00-000**

PARTS LIST			
ITEM	PART NUMBER	DESCRIPTION	QTY
1	490-30-00-156	3/4" CLEAR OIL LINE - 42ft	1
	491-12-00-258	3/4" CLEAR OIL LINE - 50ft	1
2	R21241	3/4" MALE SOLID STEM	2
3	R02230	1" GEAR CLAMP	4

DISCHARGE PIPE KIT



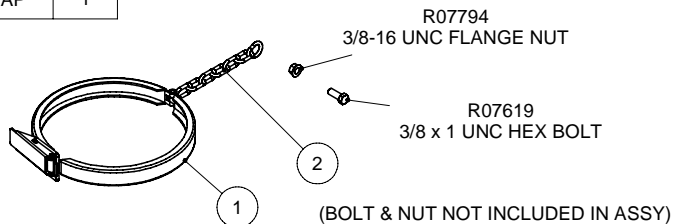
30FT DISCHARGE PIPE KIT - 8"
244-96-00-000

25FT DISCHARGE PIPE KIT - 8"
290-54-00-000

20FT DISCHARGE PIPE KIT - 8"
244-11-00-000

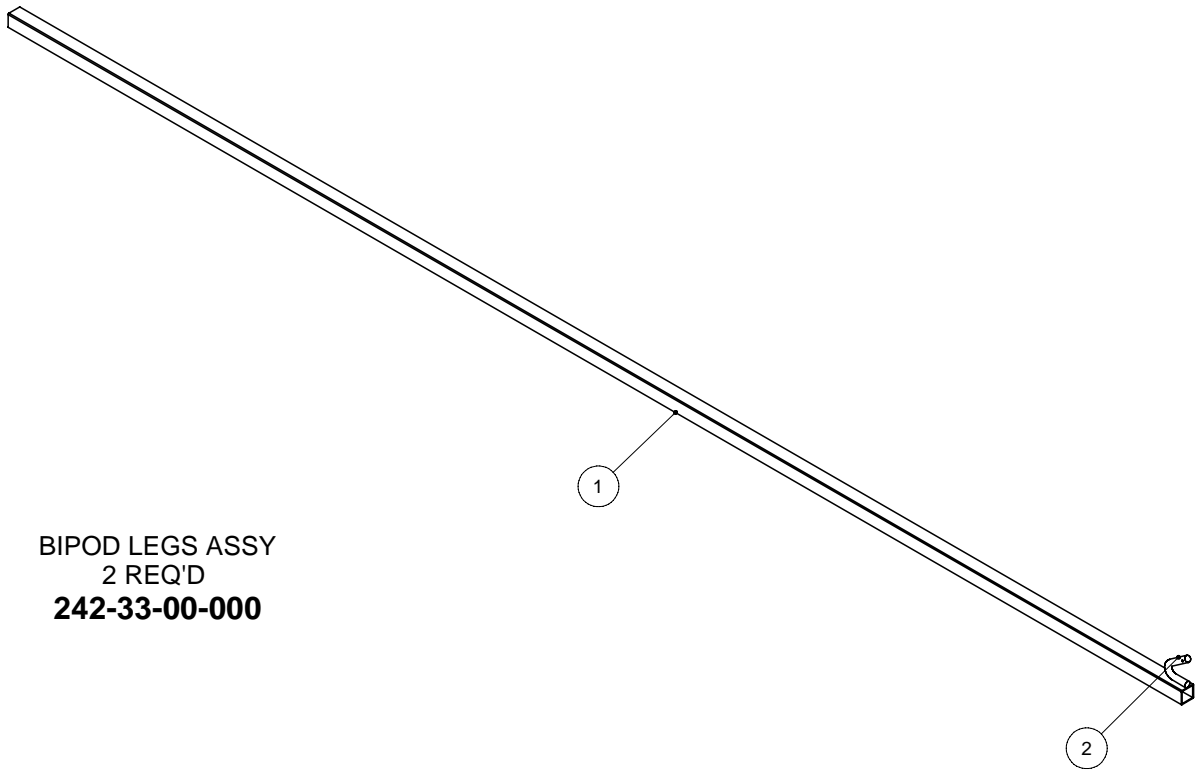
PARTS LIST				PARTS LIST			
ITEM	PART NUMBER	DESCRIPTION	QTY	ITEM	PART NUMBER	DESCRIPTION	QTY
1	244-96-01-000	30 FT DISCHARGE PIPE ASSY	*	2	244-08-00-000	PUMP ELBOW w/ RING ASSY	1
1	270-53-24-000	25 FT DISCHARGE PIPE ASSY	*	2.1	242-28-00-000	PUMP ELBOW ASSY	1
1	270-42-00-000	20 FT DISCHARGE PIPE ASSY	1	2.1.1	242-28-00-138	PUMP ELBOW BASE SECTION	1
1.1	244-96-01-506	30 FT DISCHARGE PIPE	*	2.1.2	242-28-00-139	PUMP ELBOW MIDDLE SECTION	1
1.1	270-53-24-155	25 FT DISCHARGE PIPE	*	2.1.3	242-28-00-140	PUMP ELBOW UPPER SECTION	1
1.1	270-42-00-130	20 FT DISCHARGE PIPE	1	2.2	244-08-00-307	CLAMP RING	1
1.2	242-30-00-146	DISCHARGE ELBOW CENTER PC	1	3	R02484	8" SUCTION HOSE CLAMP	2
1.3	242-30-00-147	DISCHARGE ELBOW END PC	1	4	242-00-00-141	FLEXIBLE HOSE SECTION	1
1.4	242-30-00-148	DISCHARGE PIPE HOOK	1	5	R07601	1/4 x 1 HEX BOLT	4
1.5	R09690	"TIE DOWN" DECAL	1	6	R07781	1/4 HEX NUT	4
1.6	R09502-8INCH	"HUSKY" DECAL	1	7	R07821	1/4 FLAT WASHER	4
1.7	242-30-00-528	8" PIPE HOOK REINFORCING STRAP	1				

8" CLAMP & CHAIN ASSY
244-09-00-000



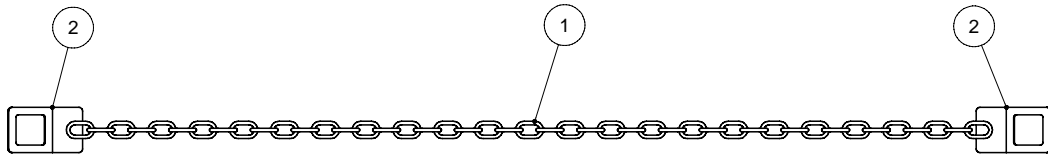
PARTS LIST			
ITEM	PART NUMBER	DESCRIPTION	QTY
1	R02488	8" RINGLOCK CLAMP	1
2	250-97-00-297	CLAMP CHAIN	1

DISCHARGE PIPE KIT CON'T



BIPOD LEGS ASSY
2 REQ'D
242-33-00-000

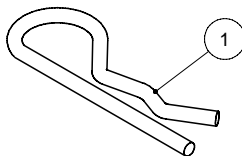
PARTS LIST			
ITEM	PART NUMBER	DESCRIPTION	QTY
1	242-33-00-155	BIPOD LEGS	1
2	242-33-00-156	BIPOD LEG HOOK	1



BIPOD LEG CHAIN ASSY
242-79-00-000

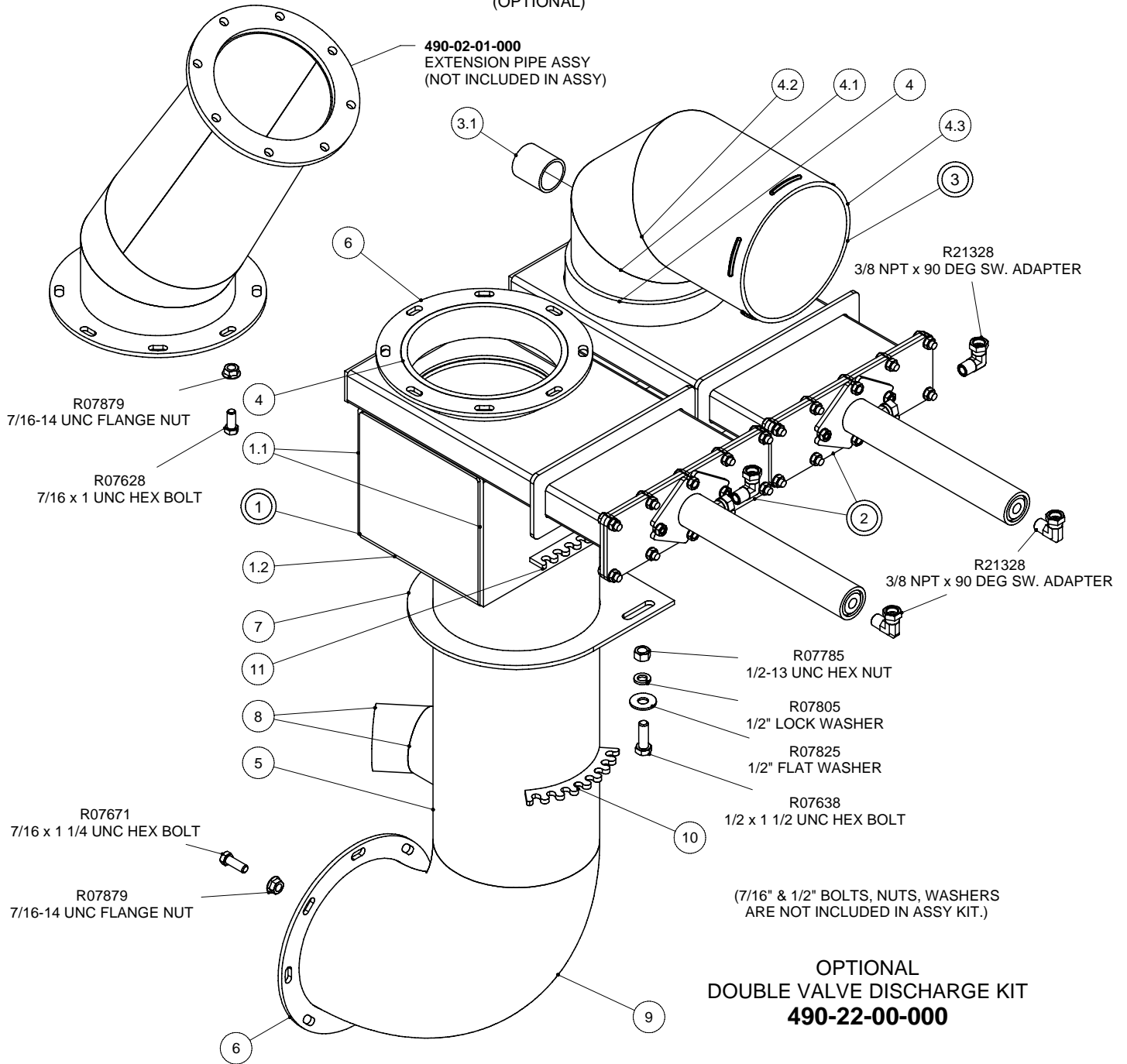
PARTS LIST			
ITEM	PART NUMBER	DESCRIPTION	QTY
1	242-79-00-199	BIPOD LEG CHAIN	1
2	242-79-00-198	BIPOD LEG CLIP	2

HAIR PIN
R07948



PARTS LIST			
ITEM	PART NUMBER	DESCRIPTION	QTY
1	R07948	5/32 HAIR PIN	1

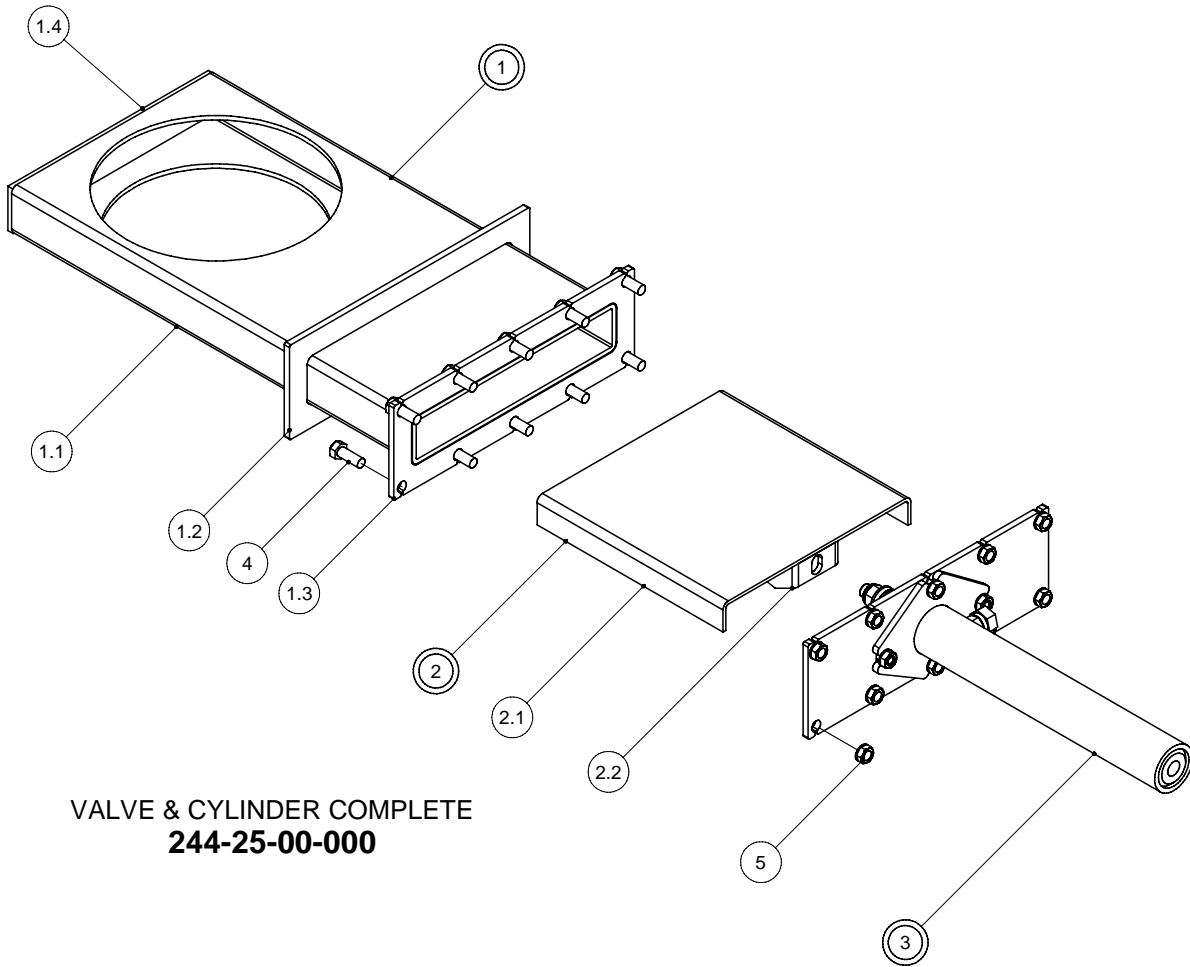
DOUBLE VALVE DISCHARGE KIT (OPTIONAL)



**OPTIONAL
DOUBLE VALVE DISCHARGE KIT
490-22-00-000**

PARTS LIST				PARTS LIST			
ITEM	PART NUMBER	DESCRIPTION	QTY	ITEM	PART NUMBER	DESCRIPTION	QTY
1	490-22-01-000	DISTRIBUTION BOX ASSY	1	4	242-93-23-224	CONE MOUNT	2
1.1	490-22-01-119	DISTRIBUTOR BOX TOP	1	5	490-22-00-118	VERTICAL DISCHARGE PIPE	1
1.2	490-22-01-120	DISTRIBUTOR BOX BOTTOM	1	6	490-02-00-197	ELBOW FLANGE	2
2	244-25-00-000	VALVE AND CYLINDER COMPLETE	2	7	490-02-00-015	VERTICAL PIPE HOLDER	1
3	490-02-03-000	VALVE ELBOW ASSY	1	8	490-02-00-008	3" AGITATOR PIPE	2
3.1	490-02-03-256	VALVE ELBOW DRAIN PIPE	1	9	R02935	8" WELD ELBOW	1
3.2	490-02-03-009	ELBOW BASE PC	1	10	490-22-00-308	CURVED 8 SLOT HYD HOSE HOLDER	1
3.3	490-02-03-010	ELBOW MIDDLE PC	1	11	490-03-00-011	HYDRAULIC HOSE HOLDER	1
3.4	490-02-03-012	ELBOW TOP PC	1				

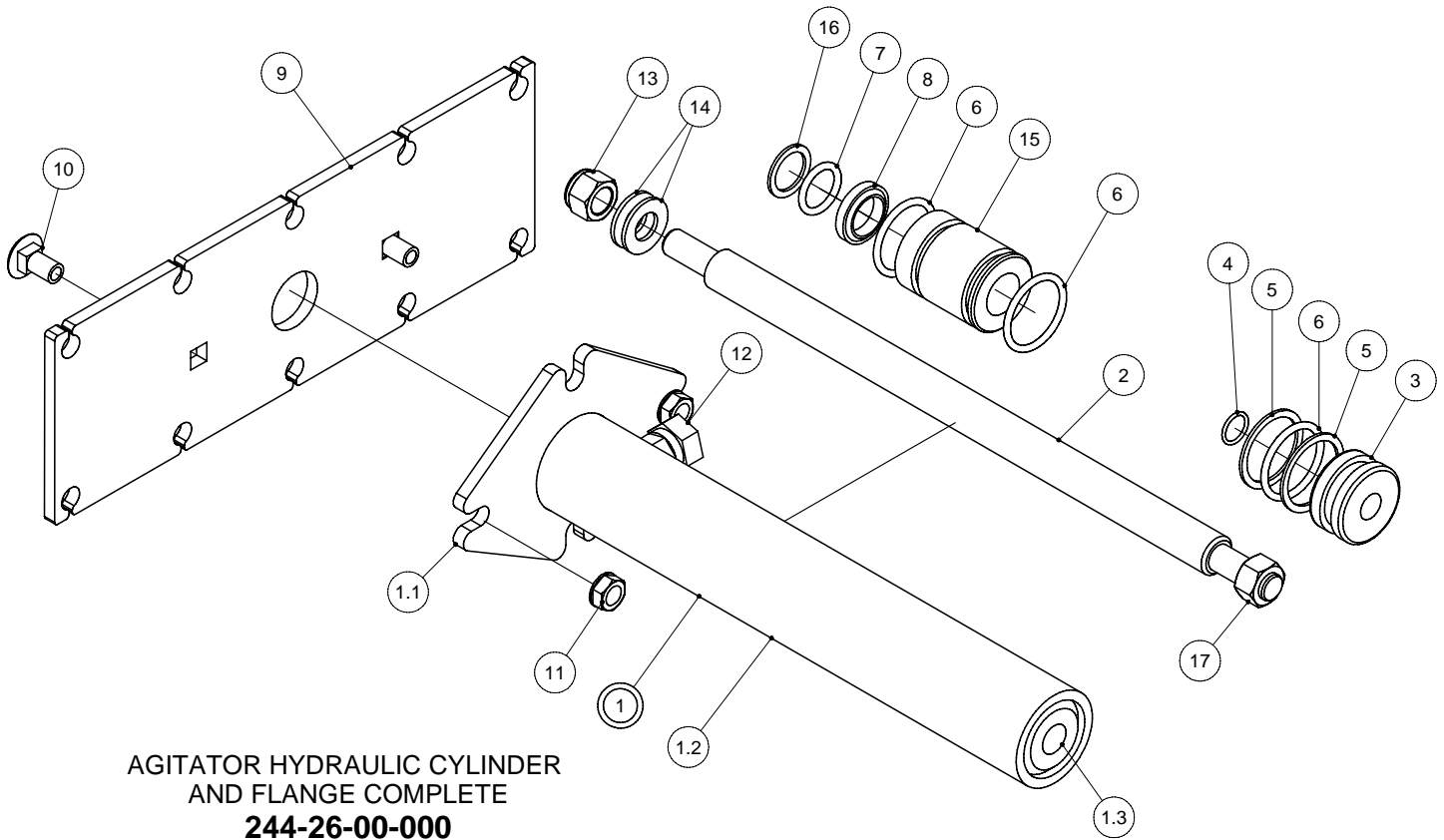
VALVE & CYLINDER COMPLETE



**VALVE & CYLINDER COMPLETE
244-25-00-000**

PARTS LIST			
ITEM	PART NUMBER	DESCRIPTION	QTY
1	244-14-01-000	VALVE BODY ASSY	1
1.1	244-14-01-323	VALVE BODY	1
1.2	244-14-01-324	VALVE BODY SUPPORT	1
1.3	242-97-00-231	VALVE INNER FLANGE	1
1.4	242-97-00-230	VALVE END CAP	1
2	242-36-42-000	VALVE GATE ASSY	1
2.1	242-36-42-268	VALVE GATE	1
2.2	242-36-42-269	VALVE GATE BRKT	1
3	244-26-00-000	HYDRAULIC CYLINDER KIT	1
4	R07619	3/8 x 1 HEX BOLT	10
5	R07794	3/8 FLANGE NUT	10

AGITATOR VALVE CYLINDER COMPLETE

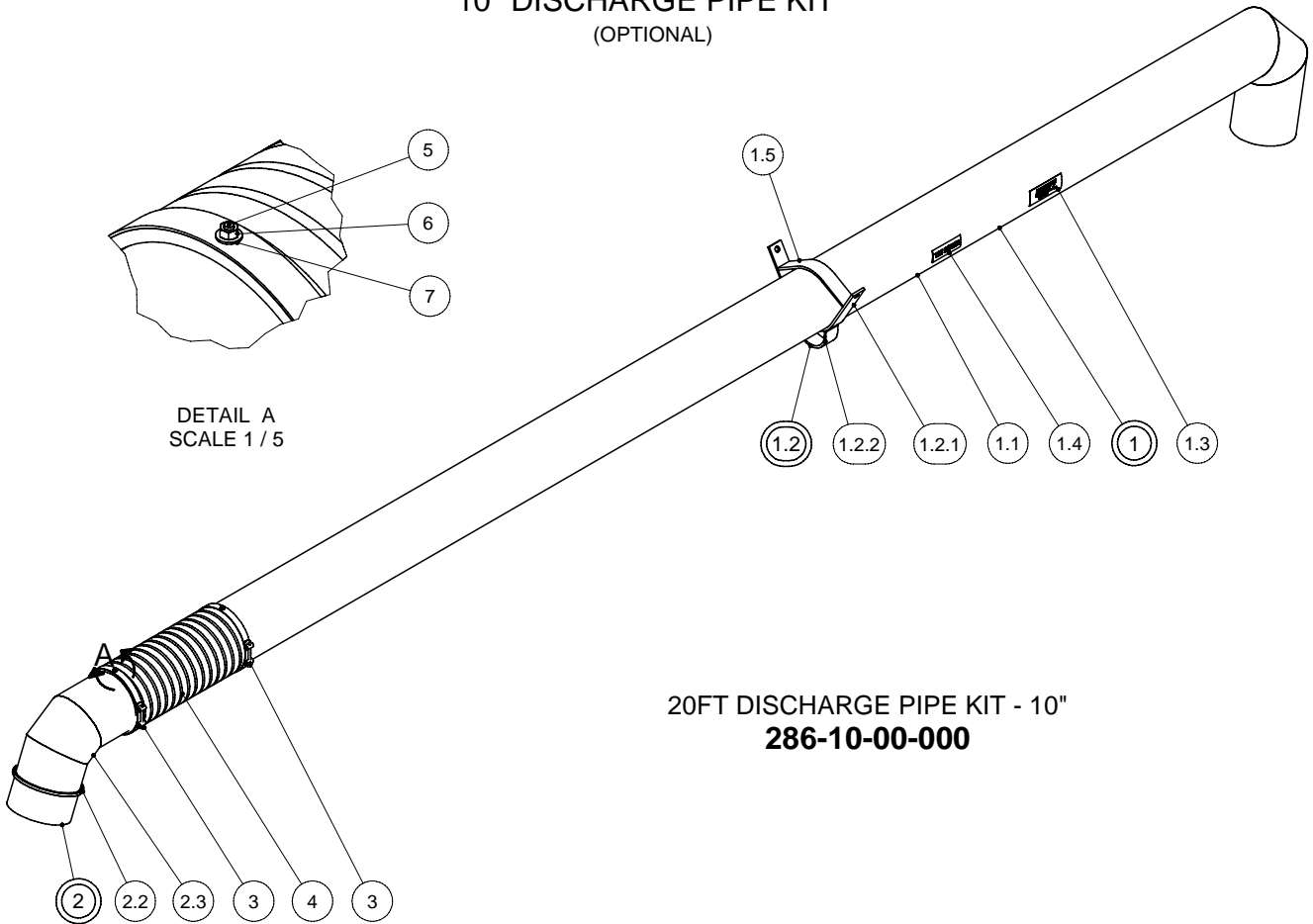


AGITATOR HYDRAULIC CYLINDER
AND FLANGE COMPLETE
244-26-00-000

SEAL REPLACEMENT KIT - **340-47-00-000**

PARTS LIST			
ITEM	PART NUMBER	DESCRIPTION	QTY
1	244-26-01-000	HYDRAULIC CYLINDER TUBE ASSY	1
1.1	244-26-01-344	CYLINDER TUBE FLANGE	1
1.2	244-26-01-343	HYDRAULIC CYLINDER TUBE	1
1.3	340-36-18-431	END CAP	1
2	244-14-02-325	CYLINDER SHAFT	1
3	340-36-00-435	CYLINDER PLUNGER	1
4	R20865	O-RING #11-014	1
5	R20867	BACKUP RING #8-218	2
6	R20866	O-RING #11-218	3
7	R20771	O-RING #11-210	1
8	R20774	3/4" HYTREL ROD WIPER 52-750	1
9	244-26-00-345	FLANGE	1
10	R07776	3/8" x 3/4" CARRIAGE BOLT	2
11	R07794	3/8 FLANGE NUT	2
12	R21287	1/4M x 3/8 SWIVEL ADAPTER	1
13	R08229	1/2" S.S. NYLOC HEX NUT	1
14	R08222	1/2" SAE S.S. FLAT WASHER	2
15	340-36-00-434	WIPER BLOCK	1
16	R20862	3/4" BACKUP #210	1
17	R07885	1/2 - 2 WAY LOCK NUT	1

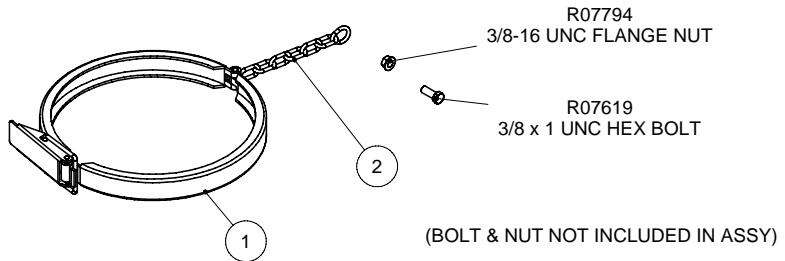
**10" DISCHARGE PIPE KIT
(OPTIONAL)**



**20FT DISCHARGE PIPE KIT - 10"
286-10-00-000**

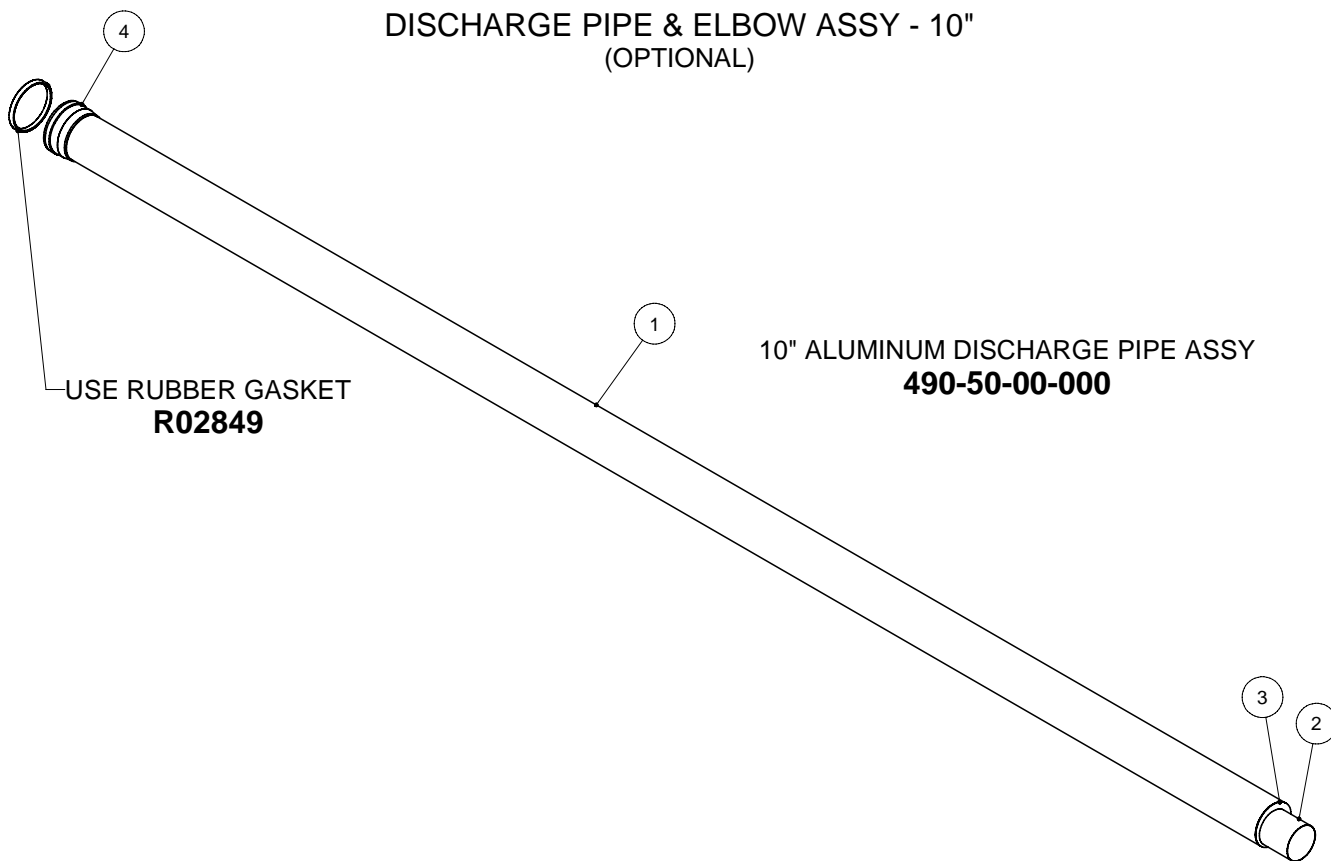
PARTS LIST				PARTS LIST			
ITEM	PART NUMBER	DESCRIPTION	QTY	ITEM	PART NUMBER	DESCRIPTION	QTY
1	286-10-01-000	20 FT DISCHARGE PIPE ASSY - 10"	1	2	286-10-02-000	10" ALUMINUM PUMP ELBOW ASSY	1
1.1	286-10-01-045	DISCHARGE PIPE	1	2.2	R02504	10 ALUM. BANDLOCK RING	1
1.2	286-10-03-000	DISCHARGE PIPE HOOK ASSY	1	2.3	286-10-02-044	10" ALUMINUM PIPE ELBOW	1
1.2.1	286-10-03-060	DISCHARGE PIPE HOOK	1	3	R02492	10" SUPER CLAMP	2
1.2.2	286-10-03-061	LOWER DISCHARGE HOOK	1	4	286-10-00-047	10" FLEX HOSE	1
1.3	R09502	"HUSKY" DECAL	1	5	R07677	1/4 x 3/4 HEX BOLT	4
1.4	R09690	"TIE DOWN" DECAL	1	6	R07781	1/4 HEX NUT	4
1.5	286-10-01-090	10" PIPE HOOK REINFORCING STRAP	1	7	R07821	1/4 FLAT WASHER	4

**10" BANDLOC CLAMP ASSY
286-13-00-000**



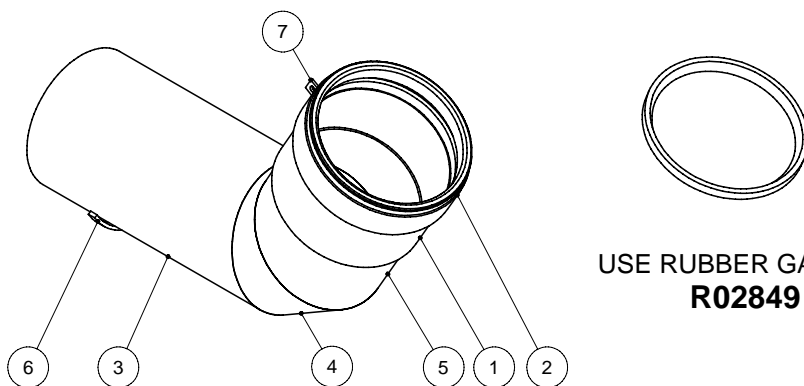
PARTS LIST			
ITEM	PART NUMBER	DESCRIPTION	QTY
1	R02500	10" BANDLOC CLAMP	1
2	250-97-00-297	CLAMP CHAIN	1

DISCHARGE PIPE & ELBOW ASSY - 10"
(OPTIONAL)



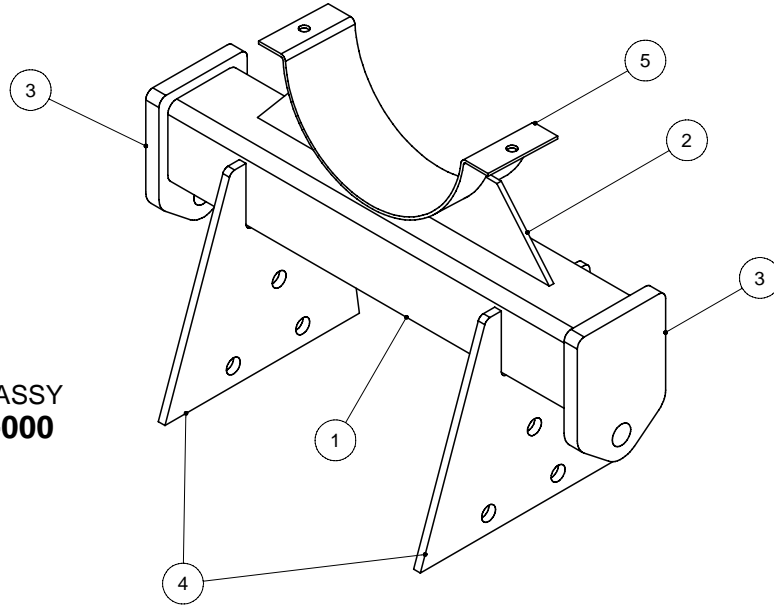
PARTS LIST			
ITEM	PART NUMBER	DESCRIPTION	QTY
1	490-50-00-191	10" ALUMINUM DISCHARGE PIPE	1
2	490-50-00-192	8" ALUMINUM ADAPTER PC	1
3	290-00-00-313	10" TO 8" REDUCER PLATE	1
4	R02983	10" RW COUPLER-NARROW	1

**10" UPPER DISCHARGE
PIPE ELBOW ASSY**
490-51-00-000



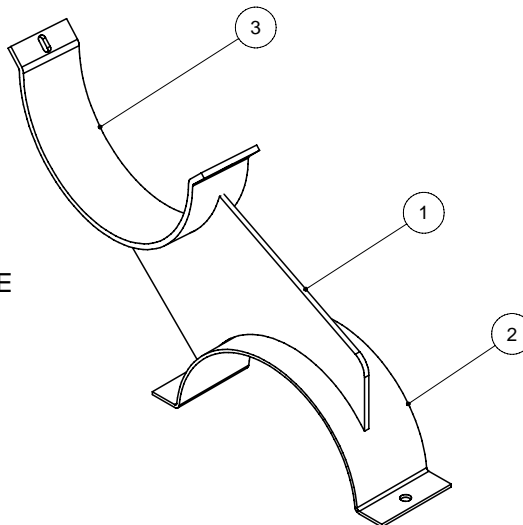
PARTS LIST			
ITEM	PART NUMBER	DESCRIPTION	QTY
1	286-04-00-030	OUTER EXTENSION PIPE	1
2	286-04-00-029	UPPER COUPLING BASE	1
3	490-51-00-193	ELBOW BOTTOM PC	1
4	490-51-00-194	ELBOW MIDDLE PC	1
5	490-51-00-195	ELBOW TOP PC	1
6	490-51-00-196	10" STOP	1
7	250-96-00-298	CHAIN LUG	1

**10" TIE BAR & PIPE HOLDER ASSY
(OPTIONAL)**



**10" TIE BAR ASSY
490-42-00-000**

PARTS LIST			
ITEM	PART NUMBER	DESCRIPTION	QTY
1	490-16-11-180	CROSS TUBE	1
2	490-42-00-169	10" SUPPORT HOLDER	1
3	490-16-11-182	CYLINDER LUG	2
4	490-16-11-185	ATTACHMENT PLATE	2
5	291-09-00-317	10" SHORT DISCHARGE SUPPORT	1

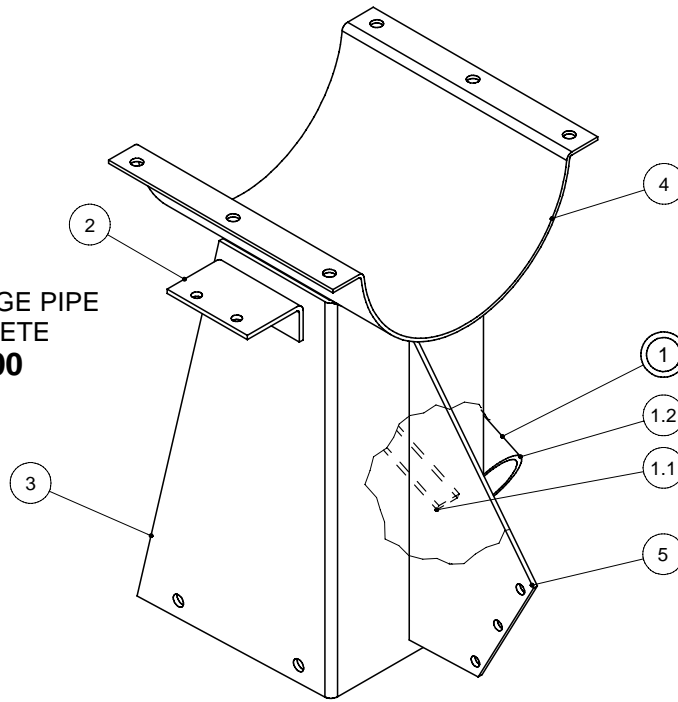


**10" LOWER DISCHARGE
PIPE HOLDER ASSY
490-43-00-000**

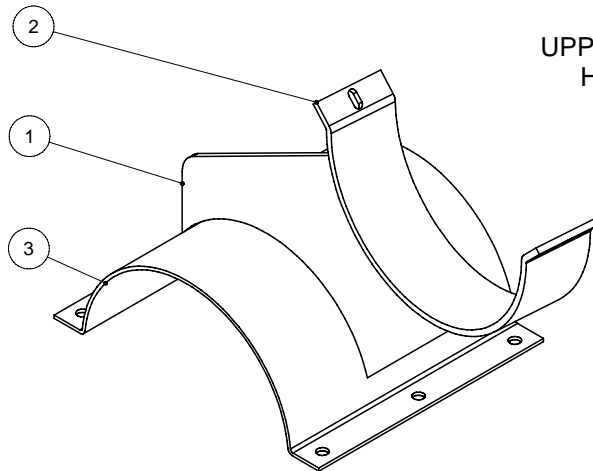
PARTS LIST			
ITEM	PART NUMBER	DESCRIPTION	QTY
1	490-43-00-170	ATTACHMENT PLATE - 10" PIPE	1
2	291-09-00-317	10" SHORT DISCHARGE SUPPORT	1
3	291-10-00-319	10" CENTER DISCHARGE PIPE HOLDER	1

**10" UPPER DISCHARGE PIPE HOLDER ASSY
(OPTIONAL)**

**10" UPPER DISCHARGE PIPE
HOLDER COMPLETE
490-48-00-000**



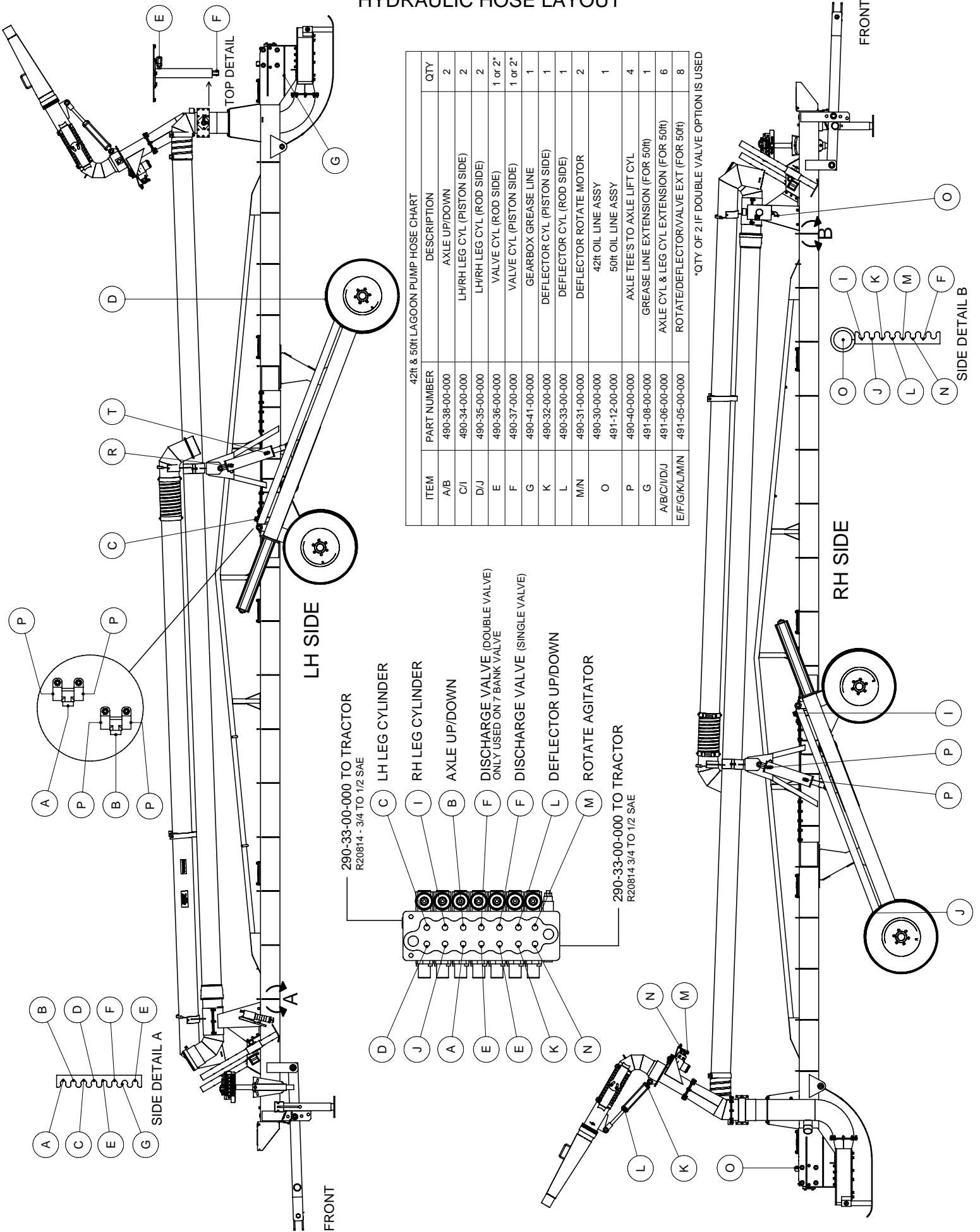
PARTS LIST			
ITEM	PART NUMBER	DESCRIPTION	QTY
1	291-07-08-000	GREASE GUN MOUNT PLATE	1
1.1	291-07-08-310	GREASE GUN HOLDER STANDOFF	1
1.2	291-07-08-309	GREASE GUN HOLDER	1
2	490-21-00-106	ATTACHMENT BRKT	1
3	490-48-00-199	TOP DISCHARGE SUPPORT-10" PIPE	1
4	291-08-00-315	10" CLAMP BRKT	1
5	490-47-00-252	PIPE HOLDER GUSSET	1



**UPPER DISCHARGE PIPE
HOLDER ASSY - 10"
490-44-00-000**

PARTS LIST			
ITEM	PART NUMBER	DESCRIPTION	QTY
1	490-43-00-170	ATTACHMENT PLATE - 10" PIPE	1
2	291-10-00-319	10" CENTER DISCHARGE PIPE HOLDER	1
3	291-08-00-315	10" CLAMP BRKT	1

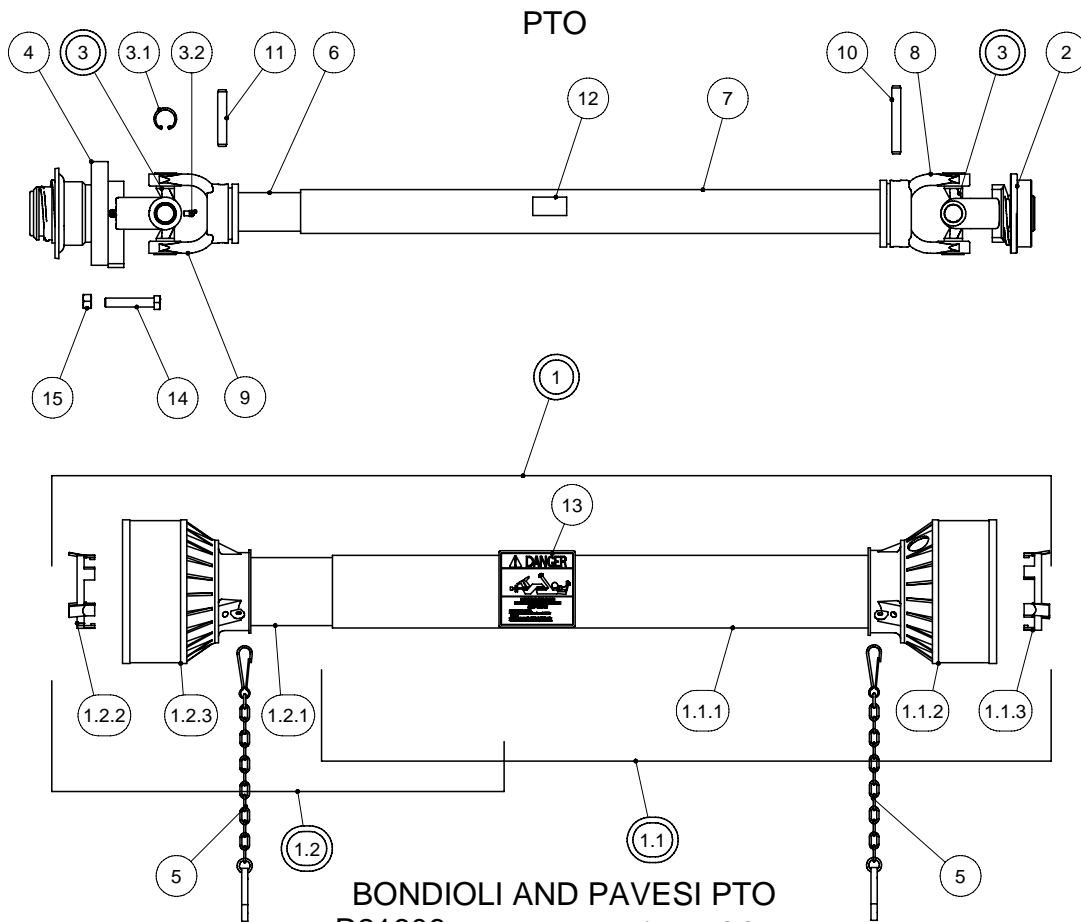
HYDRAULIC HOSE LAYOUT



42ft & 50ft LAGOON PUMP HOSE CHART

ITEM	PART NUMBER	DESCRIPTION	QTY
A/B	490-38-00-000	AXLE UP/DOWN	2
C/I	490-34-00-000	LH/RH LEG CYL (PISTON SIDE)	2
D/J	490-35-00-000	LH/RH LEG CYL (ROD SIDE)	2
E	490-36-00-000	VALVE CYL (ROD SIDE)	1 or 2*
F	490-37-00-000	VALVE CYL (PISTON SIDE)	1 or 2*
G	490-41-00-000	GEARBOX GREASE LINE	1
K	490-32-00-000	DEFLECTOR CYL (PISTON SIDE)	1
L	490-33-00-000	DEFLECTOR CYL (ROD SIDE)	1
M/N	490-31-00-000	DEFLECTOR ROTATE MOTOR	2
O	490-30-00-000	42ft OIL LINE ASSY	1
P	491-12-00-000	50ft OIL LINE ASSY	1
G	490-40-00-000	AXLE TEE'S TO AXLE LIFT CYL	4
A/B/C/I/D/J	491-08-00-000	GREASE LINE EXTENSION (FOR 50ft)	1
E/F/G/K/L/M/N	491-06-00-000	AXLE CYL & LEG CYL EXTENSION (FOR 50ft)	6
E/F/G/K/L/M/N	491-05-00-000	ROTATE/DEFLECTOR VALVE EXT (FOR 50ft)	8

*QTY OF 2 IF DOUBLE VALVE OPTION IS USED



BONDIOLI AND PAVESI PTO
~~R21606 - 540 RPM - 1 3/8" 6 TOOTH~~
R21607 - 1000 RPM - 1 3/8" 21 TOOTH
R21649 - 1000 RPM - 1 3/4" 20 TOOTH

PARTS LIST					
ITEM	MFG NUMBER	PART NUMBER	DESCRIPTION	QTY	
1	5F08101FFFX	R21629	SAFETY GUARD COMPLETE	1	
1.1	5FE8101FFFX	R21627	HALF SAFETY GUARD - OUTER	1	
1.1.1	236850732	R21618	CM SAFETY TUBE	1	
1.1.2	517080130	R21610	OUTER CONE SETS N8-9	1	
1.1.3	255080005R02	R21609	I. BEARING 3-4	1	
1.2	5F18101FFFX	R21628	HALF SAFETY GUARD - INNER	1	
1.2.1	236840732	R21617	CM SAFETY TUBE	1	
1.2.2	255080006R02	R21608	SHIELD SUPPORT8-9-0	1	
1.2.3	517080120	R21611	INNER CONE SETS N8-9	1	
2	5720M0376	R22330	1 3/8 - 6 TOOTH QD YOKE w/ SLEEVES 540 RPM	1	
2	572S93752	R22332	1 3/8 - 21 TOOTH QD YOKE w/SLEEVES 1000 RPM	1	
2		R22333	1 3/4 - 20 TOOTH QD YOKE w/SLEEVES 1000 RPM	1	
3	41208	R21614	CROSS JOURNAL ASSY	2	
3.1	338023000	R21621	CIRCLIP	8	
3.2	348004000	R21655	GREASE NIPPLE 45 DEG	2	
4	6060M3901R	R22331	1 3/4" - 27 TOOTH TORQUE LIMITER w/ SLIDE COLLAR	1	
5	252000005	R21738	SHIELD TIE CHAIN	2	
6	225690803	R21615	CARDAN TUBE - INNER	1	
7	225730803	R21616	CARDAN TUBE - OUTER	1	
8	204086860	R21620	OUTER TUBE YOKE	1	
9	204086861	R21619	INNER TUBE YOKE	1	
10	341054000	R21613	FLEXIBLE PIN	1	
11	341055000R10	R21612	FLEXIBLE PIN	1	
12	383334	R21523	"SHIELD MISSING" DECAL	1	
13	383333	R21521	"ROTATING DRIVE LINE" DECAL	1	
14		R21602	M12 - 1.75 x 65 HEX BOLT	1	
15		R21604	M12 - 1.75 LOCK NUT	1	

GUARANTEE

All Husky Farm Equipment manufactured by Husky Farm Equipment Limited is guaranteed. Guarantee covers all the replacement cost or repair of all parts said to be defective from manufacture. Guarantee also covers labour installing said parts, if installed at Husky Manufacturing plant. Time and use is the essence of the guarantee. If equipment is used on a private property for an individual's use, guarantee will be in effect for twelve months from date of invoice. If equipment is used for commercial use to do custom work for money then guarantee will be in effect for three months only from date of invoice.

EXEMPTIONS FROM GUARANTEE

Cost of transportation of equipment to or from Husky Farm Equipment Limited either by customer or by Husky's service staff or cost of mail or public transportation is not covered. Tires and electric or hydraulic motors are covered by manufacturer's warranty and although Husky may assist to get warranty, Husky will not be responsible other than that allowed by manufacturer's warranty. Items subject to normal wear from use not covered by guarantee if faulty part is simply worn.