

Date Purchased _____ Machine Serial No. _____

Size of Agitator _____ Options _____

The key number system in this parts book is arranged as follows:

- ⊙ - Key numbers with two circles denotes main assemblies.
- - Key numbers with one circle are individual parts

Please order parts by number



RACEWAY AGITATOR

485-00-00-000 – 24' RACEWAY AGITATOR

484-00-00-000 – 22' RACEWAY AGITATOR

482-00-00-000 – 20' RACEWAY AGITATOR

OPERATING INSTRUCTIONS:

We welcome you as an owner of a Husky Raceway Agitator. To ensure this machine reaches its maximum life span and operates at an optimum level, we recommend the following:

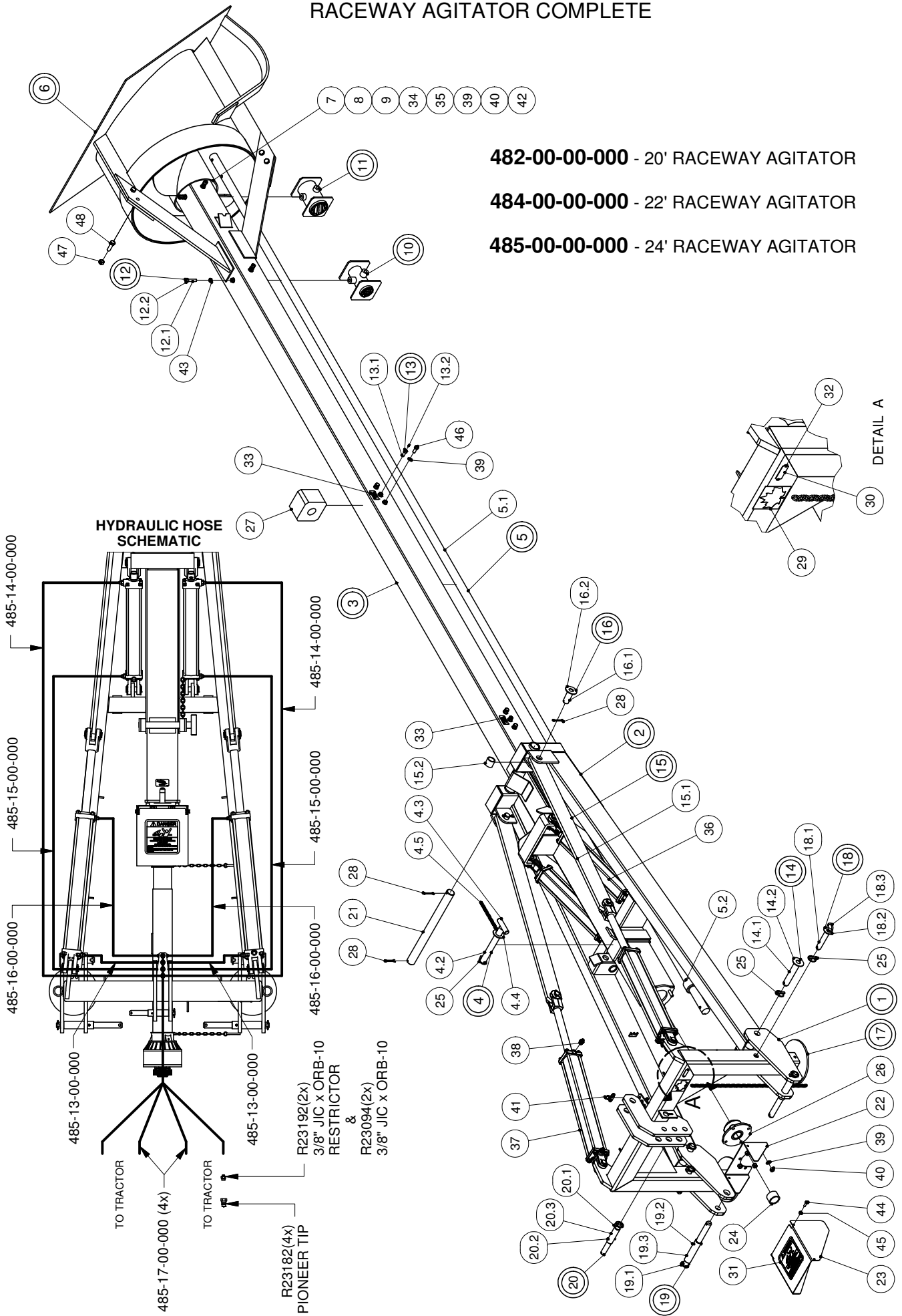
1. Do not leave propeller in manure pit – remove agitator from pit – wash off and coat with old oil or diesel fuel.
2. Grease top thrust bearing five to ten shots daily.
3. Grease the wood bearings five shots daily.
4. Grease the PTO knuckles daily and oil the slide tube.
5. Make sure when in use that the PTO knuckles are both taking equal amount of bend otherwise agitator might vibrate.
6. **EXTREME DANGER** – Never enter a dirty manure spreader or storage tank – one breath of hydrogen sulphide gas is enough to kill. Have a ladder in your pit, so that if by accident you should fall in, you can get out.

RACEWAY AGITATOR COMPLETE

482-00-00-000 - 20' RACEWAY AGITATOR

484-00-00-000 - 22' RACEWAY AGITATOR

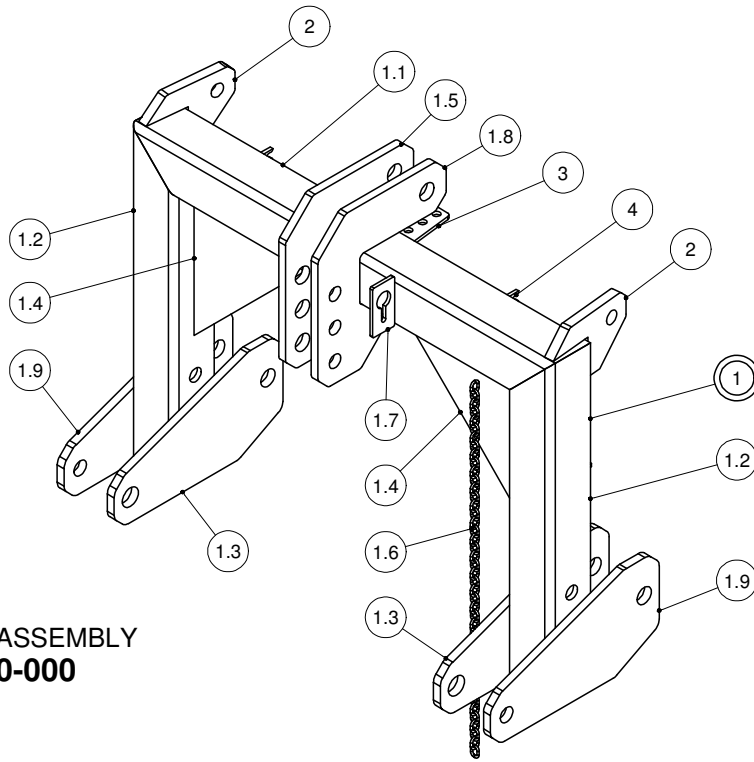
485-00-00-000 - 24' RACEWAY AGITATOR



RACEWAY AGITATOR COMPLETE

PARTS LIST				PARTS LIST			
ITEM	PART NUMBER	DESCRIPTION	QTY	ITEM	PART NUMBER	DESCRIPTION	QTY
1	485-01-00-000	HITCH FRAME ASSY	1	18	480-15-00-000	LEG PIN ASSY	2
2	485-02-00-000	CARRIAGE FRAME ASSY	1	18.1	480-15-00-068	LEG PIN	1
3	485-08-00-000	24' DRIVE SHAFT TUBE ASSY	1	18.2	R07827	3/4" FLAT WASHER	1
	484-02-00-000	22' DRIVE SHAFT TUBE ASSY	1	18.3	250-00-00-354	1/4 X 1 1/2" RING	1
	482-02-00-000	20' DRIVE SHAFT TUBE ASSY	1	19	480-24-00-000	CAT 11 & 111 HITCH PIN KIT	2
4	485-02-01-000	LOCK PIN & CHAIN ASSY	1	19.1	R08040	2 - 18 LYNCH PIN	1
4.2	485-02-01-015	LOCK PIN	1	19.2	R07990	3/8 x 2 1/2" ROLL PIN	1
4.3	485-02-01-017	PIN HANDLE	1	19.3	480-24-00-092	CAT 11 & 111 HITCH PIN	1
4.4	R07830	1 1/4" FLAT WASHER	1	20	480-25-00-000	CAT 11 & 111 TOP LINK PIN KIT	1
4.5	480-10-03-062	CHAIN	1	20.1	R08041	1/4" LYNCH PIN	1
5	485-07-00-000	24' DRIVE SHAFT ASSY	1	20.2	R07942	1/4 x 2" ROLL PIN	1
	484-01-00-000	22' DRIVE SHAFT ASSY	1	20.3	480-25-00-094	CAT 11 & 111 TOP LINK PIN	1
	482-01-00-000	20' DRIVE SHAFT ASSY	1	21	485-00-00-021	PIVOT PIN	1
5.1	485-07-00-034	DRIVE SHAFT - 24ft PROP	1	22	485-00-00-047	PTO GUARD BRKT	1
	484-01-00-001	DRIVE SHAFT - 22ft PROP	1	23	296-00-00-033	PTO GUARD	1
	482-01-00-001	DRIVE SHAFT - 20ft PROP	1	24	280-00-00-052	SPACER PIPE	1
5.2	280-05-00-031	THRUST BEARING BLOCK	1	25	R08040	2 - 18 LYNCH PIN	5
6	485-06-00-000	SHROUD ASSY	1	26	R20206	1 3/4" THRUST BEARING	1
7	485-05-00-000	AUGER ASSY	1	27	R20235	5.58" SQ WOOD BEARING	2
8	485-04-00-000	AUGER HUB ASSY	1	28	R08016	1/4 x 2 COTTER PIN	4
9	485-19-00-000	REINFORCING HUB ASSY	1	29	R09509	"MADE IN CANADA" DECAL - LARGE	1
10	242-22-00-000	1 3/4" MARINE BRG HOLDER COMPLETE	1	30	R09071	SERIAL NUMBER PLATE	1
				31	R09785	"DANGER ROTATING DRIVELINE" DECAL	1
11	244-13-00-000	2 3/4" MARINE BRG HOLDER COMPLETE	1	32	R08152	6 x 1/4 PAN HD SOCKET SCREW	2
12	250-59-00-000	SET SCREW ASSY	4	33	R09582	GREASE SYMBOL DECAL	3
12.1	250-59-00-141	SS SET SCREW REDDI ROD	1	34	R08219	1/2 UNC NYLOCK NUT	6
12.2	R08235	1/2-13 SS UNC HEX NUT	1	35	R07639	1/2 x 2 UNC HEX BOLT	6
13	244-88-00-000	WOOD BEARING GREASE BOLT KIT	2	36	R23281	25TH16 HYD CYL-ORB	2
13.1	244-88-00-451	WOOD BEARING GREASE BOLT	1	37	R23294	30TH24 HYD CYL-ORB	2
13.2	R08183	1/4" - 28 STRAIGHT GREASE FITTING	1	38	R23091	ORB-8 X 3/8" JIC M ADAPTOR	8
14	480-08-00-000	PIVOT PIN ASSY	2	39	R07805	1/2" LOCK WASHER	8
14.1	480-08-00-048	PIVOT PIN	1	40	R07785	1/2-13 UNC HEX NUT	4
14.2	R07828	1" FLAT WASHER	1	41	R23222	3/8" JIC BULKHEAD TEE	4
15	485-03-00-000	CYLINDER BAR ASSY	2	42	R07642	1/2 x 3 1/2 UNC HEX BOLT	2
15.1	485-03-00-019	CYLINDER BAR	1	43	R08046	1/2-13 UNC JAM NUT	4
15.2	485-03-00-020	CYLINDER BAR BUSHING	1	44	R07619	3/8 x 1 UNC HEX BOLT	2
16	485-10-00-000	LIFT BAR PIN ASSY	2	45	R07886	3/8-16 UNC 2-WAY LOCK NUT	2
16.1	485-10-00-054	LIFT BAR PIN	1	46	R07674	1/2 x 1 1/4 UNC HEX BOLT	4
16.2	R07828	1" FLAT WASHER	1	47	R07887	5/8-11 UNC 2-WAY LOCK NUT	6
17	480-06-00-000	STAND ASSY	2	48	R07647	5/8 x 2 UNC HEX BOLT	6
				49	R07885	1/2-13 UNC 2-WAY LOCK NUT	2

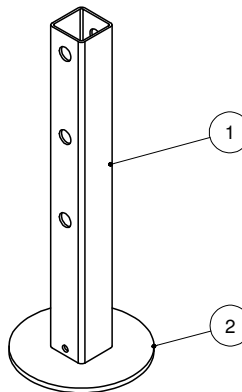
RACEWAY AGITATOR HITCH FRAME ASSY



**HITCH FRAME ASSEMBLY
485-01-00-000**

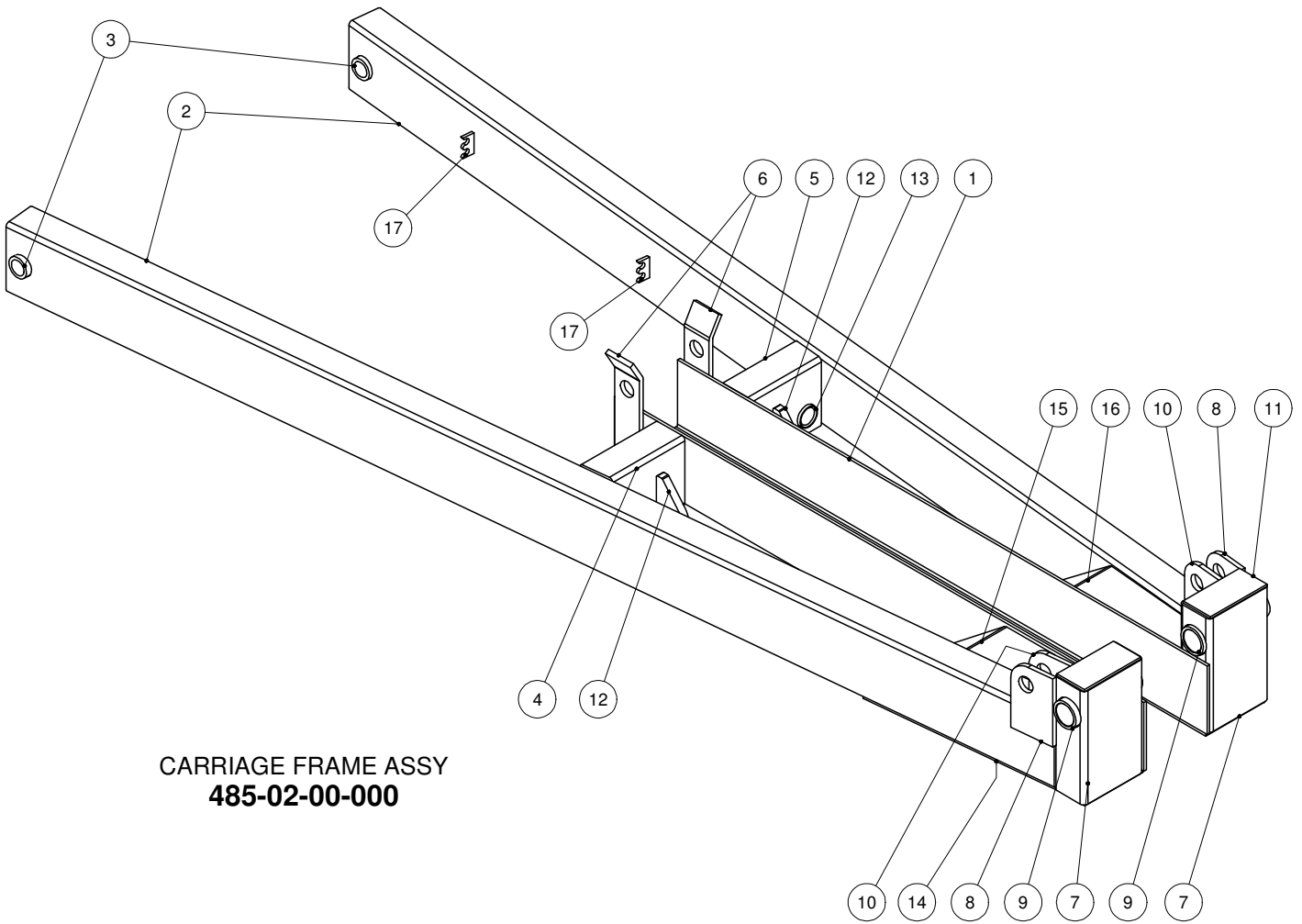
PARTS LIST				PARTS LIST			
ITEM	PART NUMBER	DESCRIPTION	QTY	ITEM	PART NUMBER	DESCRIPTION	QTY
1	480-01-00-000	HITCH FRAME ASSY	1	1.7	480-01-00-008	CHAIN BRKT	1
1.1	480-01-00-002	HITCH FRAME TOP PC	1	1.8	480-01-00-093	OUTER UPPER LINK CONN PLATE	1
1.2	480-01-00-001	HITCH FRAME SIDE	2	1.9	480-01-00-091	HITCH PLATE	2
1.3	480-01-00-005	HITCH PLATE	2	2	480-01-00-009	CYLINDER BRKT	2
1.4	480-01-00-004	GUSSET	2	3	485-01-00-083	BULKHEAD MOUNT PLATE-4 HOLE	1
1.5	480-01-00-003	UPPER LINK CONN PLATE	1	4	490-03-00-190	HYDRAULIC HOSE HOLDER-DB HOSE	6
1.6	480-01-00-044	PTO RETAINING CHAIN	1				

**STAND ASSEMBLY
480-06-00-000
(2 REQ'D)**



PARTS LIST			
ITEM	PART NUMBER	DESCRIPTION	QTY
1	480-06-00-045	STAND LEG	1
2	480-06-00-046	STAND FOOT	1

CARRIAGE FRAME ASSY



**CARRIAGE FRAME ASSY
485-02-00-000**

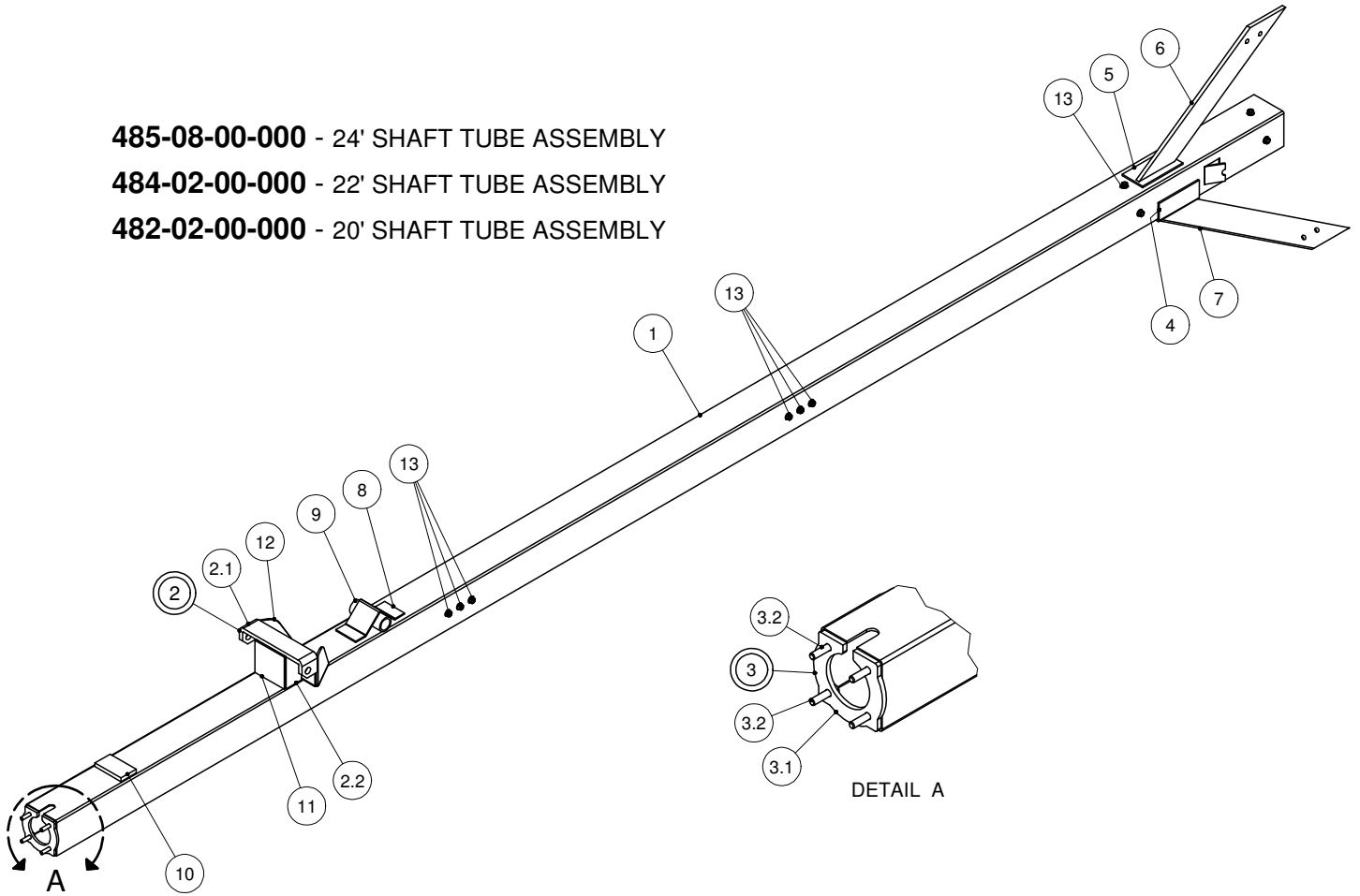
PARTS LIST			
ITEM	PART NUMBER	DESCRIPTION	QTY
1	485-02-00-003	CRADDLE	1
2	485-02-00-001	LIFT ARM	2
3	485-02-00-002	LIFT ARM BUSHING	2
4	485-02-00-055	LH SUPPORT TUBE w/ HOLE	1
5	485-02-00-004	RH SUPPORT TUBE w/ HOLE	1
6	485-02-00-005	HOLD DOWN BRKT	2
7	485-02-00-009	VERTICAL TUBE	2
8	485-02-00-011	OUTER BRKT	2
9	485-02-00-014	VERTICAL TUBE PIN SLEEVE	2
10	485-02-00-048	INSIDE CYL. BRKT	2
11	485-02-00-049	CAP	2
12	485-02-00-013	CYLINDER LUG	2
13	485-02-00-056	HOSE TUBE	2
14	485-02-00-007	LOWER GUSSET	1
15	485-02-00-006	UPPER GUSSET - LEFT	1
16	485-02-00-057	UPPER GUSSET - RIGHT	1
17	490-03-00-190	HYDRAULIC HOSE HOLDER-DB HOSE	4

RACEWAY SHAFT TUBE ASSY

485-08-00-000 - 24' SHAFT TUBE ASSEMBLY

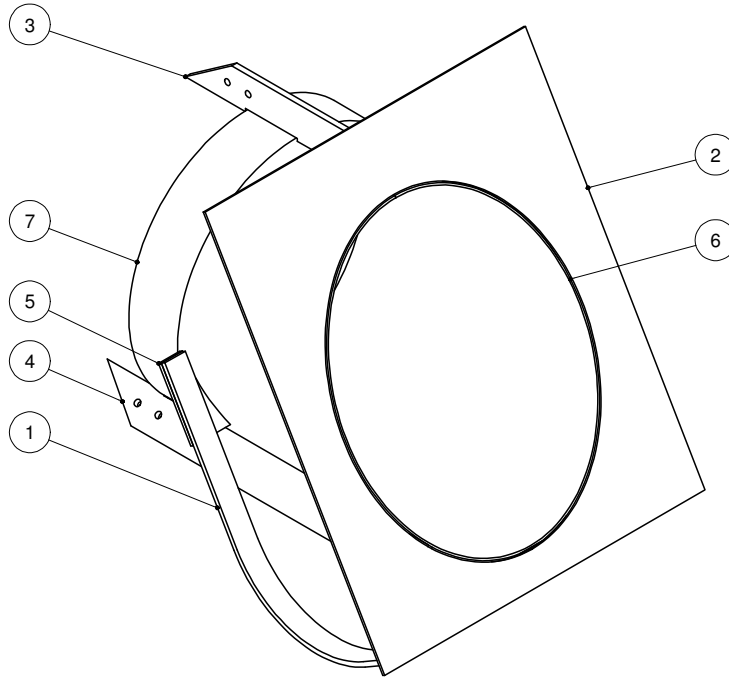
484-02-00-000 - 22' SHAFT TUBE ASSEMBLY

482-02-00-000 - 20' SHAFT TUBE ASSEMBLY



PARTS LIST			
ITEM	PART NUMBER	DESCRIPTION	QTY
1	485-08-00-035	24' DRIVE SHAFT TUBE	1
	484-02-00-002	22' DRIVE SHAFT TUBE	1
	482-02-00-002	20' DRIVE SHAFT TUBE	1
2	485-08-02-000	CYL BRACKET ASSY	1
2.1	485-08-02-050	CYLINDER U-BRKT	1
2.2	485-08-02-051	U - BRACKET LEG	2
3	480-03-03-000	BEARING FLANGE ASSY	1
3.1	480-03-00-012	BEARING FLANGE	1
3.2	R07639	1/2 x 2 UNC HEX BOLT	4
4	485-08-00-043	BRACE REINFORCING BRKT	1
5	485-08-00-038	TOP BRACE PLATE	1
6	485-08-00-037	TOP BRACE	1
7	485-08-00-039	SIDE BRACE	2
8	485-08-00-041	PIVOT SLEEVE REINF PLATE	1
9	485-08-00-036	PIVOT SLEEVE	1
10	485-08-00-040	SPACER PLATE	1
11	485-08-00-053	CYL BRKT CAP	1
12	485-08-00-052	CYL BRKT GUSSET	1
13	R08304	1/2-13 UNC SS FLANGE NUT	10

RACEWAY SHROUD ASSY

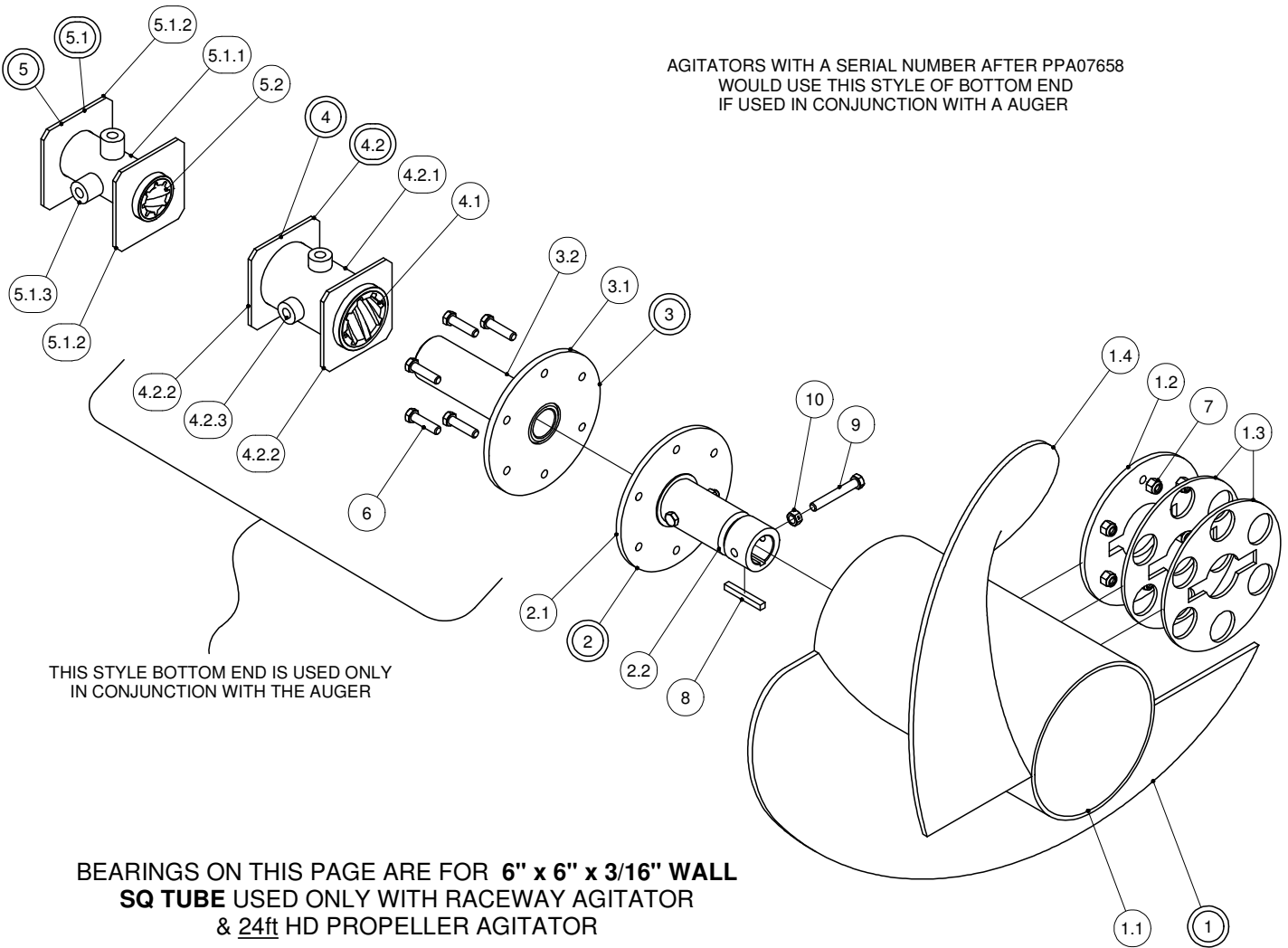


AUGER SHROUD ASSEMBLY 485-06-00-000

PARTS LIST			
ITEM	PART NUMBER	DESCRIPTION	QTY
1	485-06-00-030	SHROUD RUNNER	2
2	485-06-00-029	SHROUD WALL PLATE	1
3	485-06-00-031	SHROUD TOP BRACE	1
4	485-06-00-032	SHROUD SIDE BRACE	2
5	485-06-00-033	RUNNER SUPPORT	2
6	485-06-00-028	AUGER SHROUD	1
7	485-06-00-059	SHROUD REINFORCING RING	1

BOTTOM END DETAIL 485 - AFTER 2007

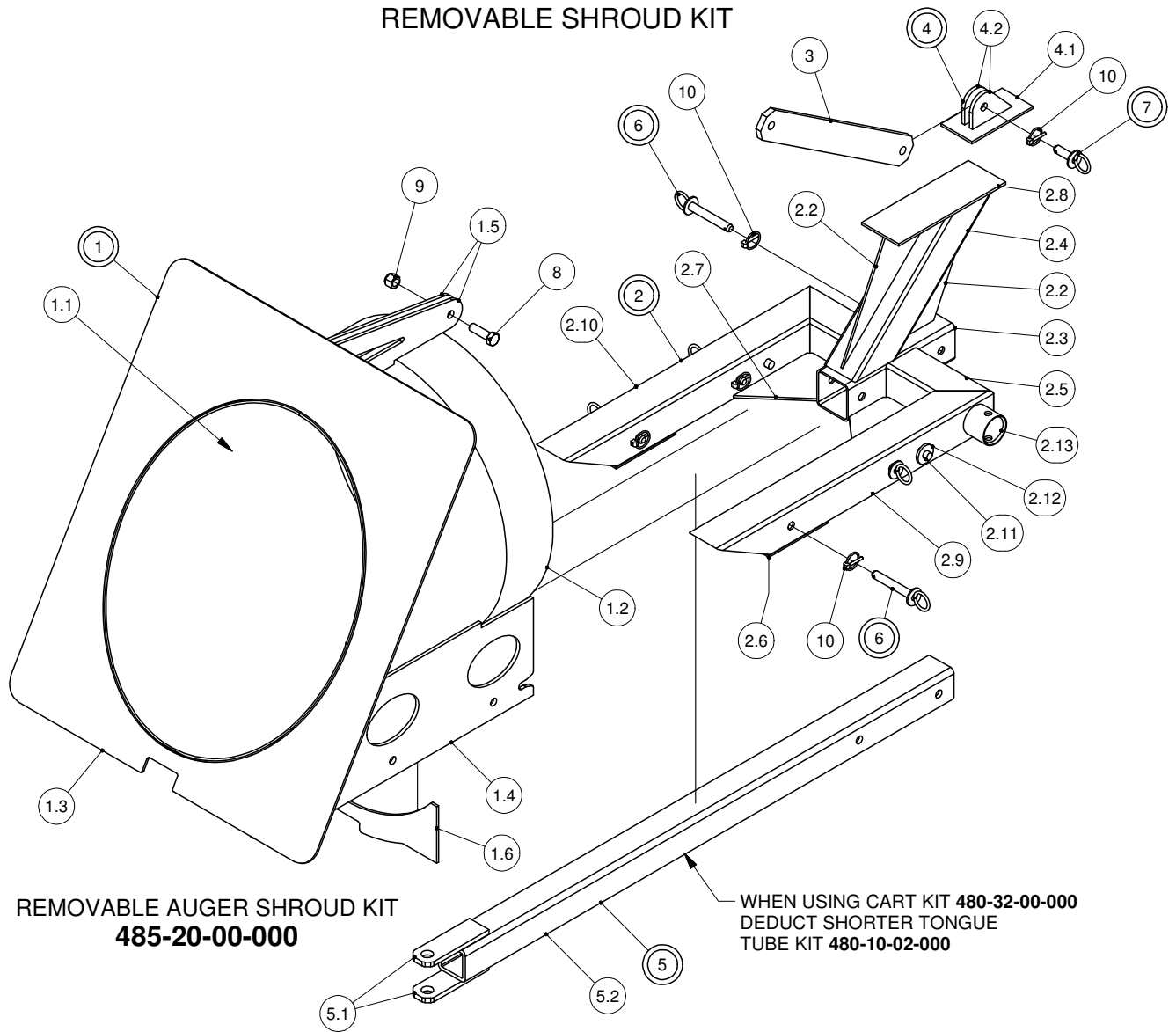
AGITATORS WITH A SERIAL NUMBER AFTER PPA07658
WOULD USE THIS STYLE OF BOTTOM END
IF USED IN CONJUNCTION WITH A AUGER



**BEARINGS ON THIS PAGE ARE FOR 6" x 6" x 3/16" WALL
SQ TUBE USED ONLY WITH RACEWAY AGITATOR
& 24ft HD PROPELLER AGITATOR**

PARTS LIST				PARTS LIST			
ITEM	PART NUMBER	DESCRIPTION	QTY	ITEM	PART NUMBER	DESCRIPTION	QTY
1	485-05-00-000	AUGER ASSY	1	4.2.1	244-13-01-320	HOLDER TUBE	1
1.1	485-05-00-024	AUGER TUBE	1	4.2.2	244-13-01-321	BEARING HOLDER PLATE	2
1.2	485-05-00-025	END FLANGE	1	4.2.3	244-13-01-322	SET SCREW SEAT	2
1.3	485-05-00-026	MIDDLE FLANGE	2	5	242-22-00-000	1 3/4" MARINE BRG HOLDER COMPLETE	1
1.4	485-05-00-027	RH AUGER FLITE	2				
2	485-04-00-000	AUGER HUB ASSY	1	5.1	242-22-27-000	MARINE BEARING HOLDER ASSY	1
2.1	485-04-00-023	HUB FLANGE	1	5.1.1	250-76-34-180	URETHANE BRG SLEEVE	1
2.2	485-04-00-022	AUGER HUB	1	5.1.2	242-22-27-235	BEARING HOLDING PLATE	2
3	485-19-00-000	REINFORCING HUB ASSY	1	5.1.3	242-22-27-236	SET SCREW SLEEVE	2
3.1	485-04-00-023	HUB FLANGE	1	5.2	R20280	URETHANE	1
3.2	485-19-00-067	REINFORCING HUB	1	6	R07639	1/2 x 2 UNC HEX BOLT	6
4	244-13-00-000	2 3/4" MARINE BRG HOLDER COMPLETE	1	7	R08219	1/2 UNC NYLOCK NUT	6
				8	480-00-00-075	3/8 x 75mm KEY	1
4.1	R20224	H5000 2 3/4" URETHENE FOR BRG	1	9	R07642	1/2 x 3 1/2 UNC HEX BOLT	2
4.2	244-13-01-000	2 3/4" MARINE BEARING HOLDER	1	10	R07885	1/2-13 UNC 2-WAY LOCK NUT	2

REMOVABLE SHROUD KIT

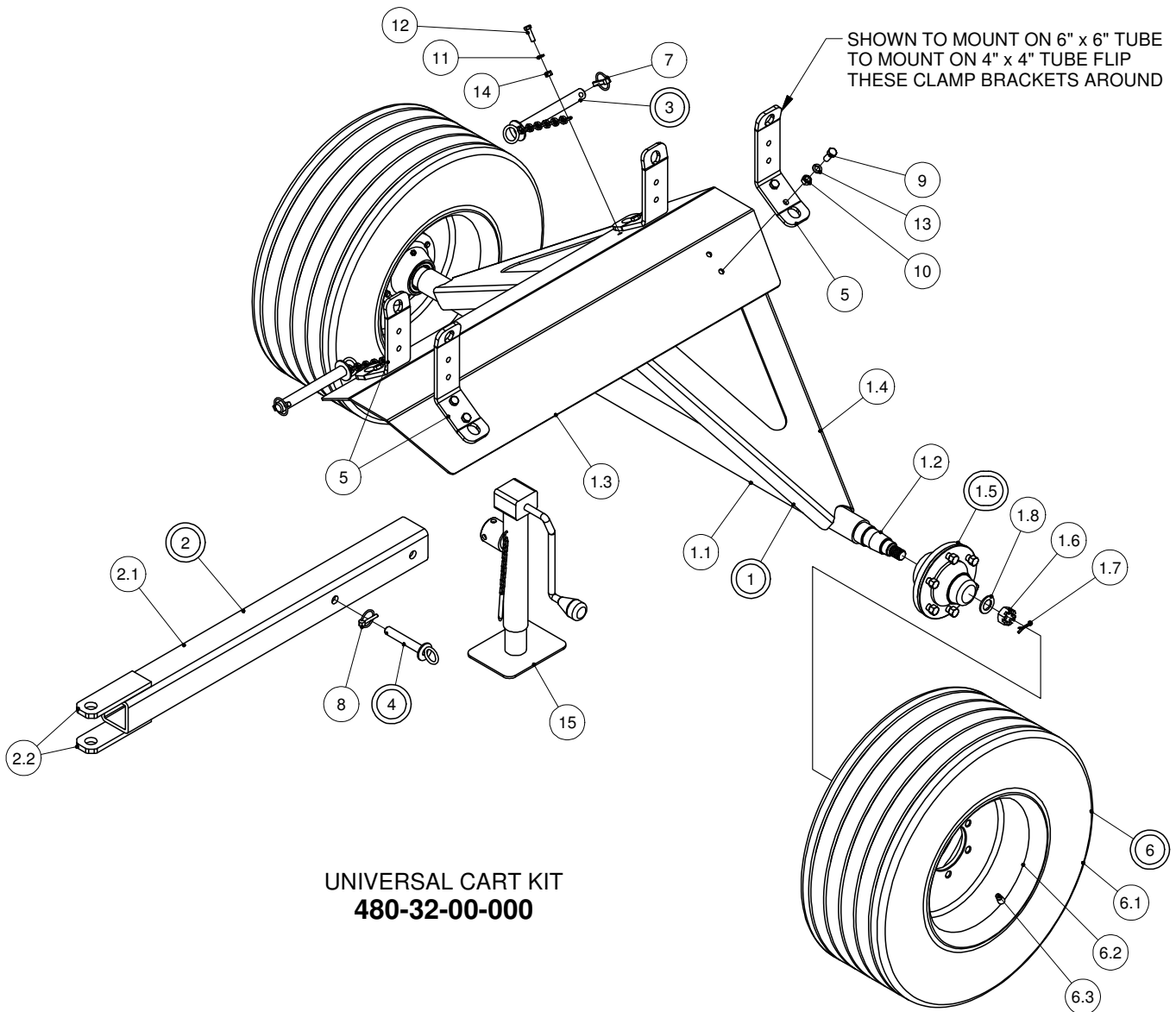


REMOVABLE AUGER SHROUD KIT 485-20-00-000

WHEN USING CART KIT 480-32-00-000
DEDUCT SHORTER TONGUE
TUBE KIT 480-10-02-000

PARTS LIST				PARTS LIST			
ITEM	PART NUMBER	DESCRIPTION	QTY	ITEM	PART NUMBER	DESCRIPTION	QTY
1	485-20-02-000	SHROUD ASSY	1	2.10	485-20-01-070	LH FOOT TUBE	1
1.1	485-06-00-028	AUGER SHROUD	1	2.11	485-20-01-071	SHROUD ALIGN PIN	2
1.2	485-06-00-059	SHROUD REINFORCING RING	1	2.12	485-20-01-072	PIN WASHER	2
1.3	485-20-02-073	SHROUD WALL PLATE	1	2.13	364-35-00-245	TONGUE JACK BRKT	1
1.4	485-20-02-074	SHROUD CLAMP PLATE	2	3	485-20-00-068	TOP CONNECTOR BAR	1
1.5	485-20-02-075	SHROUD SIDE PLATE	2	4	485-20-03-000	TOP CONN BRKT ASSY	1
1.6	485-20-02-076	SHROUD GUSSET	1	4.1	485-08-00-038	TOP BRACE PLATE	1
2	485-20-01-000	ATTACHMENT FRAME ASSY	1	4.2	485-20-03-077	SIDE PLATE	2
2.2	480-04-00-040	LEG GUSSET	2	5	485-20-04-000	TONGUE TUBE ASSY	1
2.3	480-04-00-026	TONGUE MOUNTING TUBE	1	5.1	480-10-02-064	HITCH PLATE	2
2.4	480-04-00-038	LEG	1	5.2	485-20-04-078	TONGUE TUBE	1
2.5	284-01-00-008	FOOT SPACER TUBE	2	6	485-20-05-000	SHROUD PIN ASSY	5
2.6	284-01-00-009	FOOT CAP	2	7	485-20-06-000	TOP LINK PIN ASSY	1
2.7	284-01-00-010	FOOT GUSSET	2	8	R07655	3/4 x 2 1/2 UNC HEX BOLT	1
2.8	284-01-00-011	TUBE REINFORCING PLATE	1	9	R07878	3/4 UNC NYLOCK NUT	1
2.9	485-20-01-069	RH FOOT TUBE	1	10	R08041	1/4" LYNCH PIN	6

UNIVERSAL CART KIT

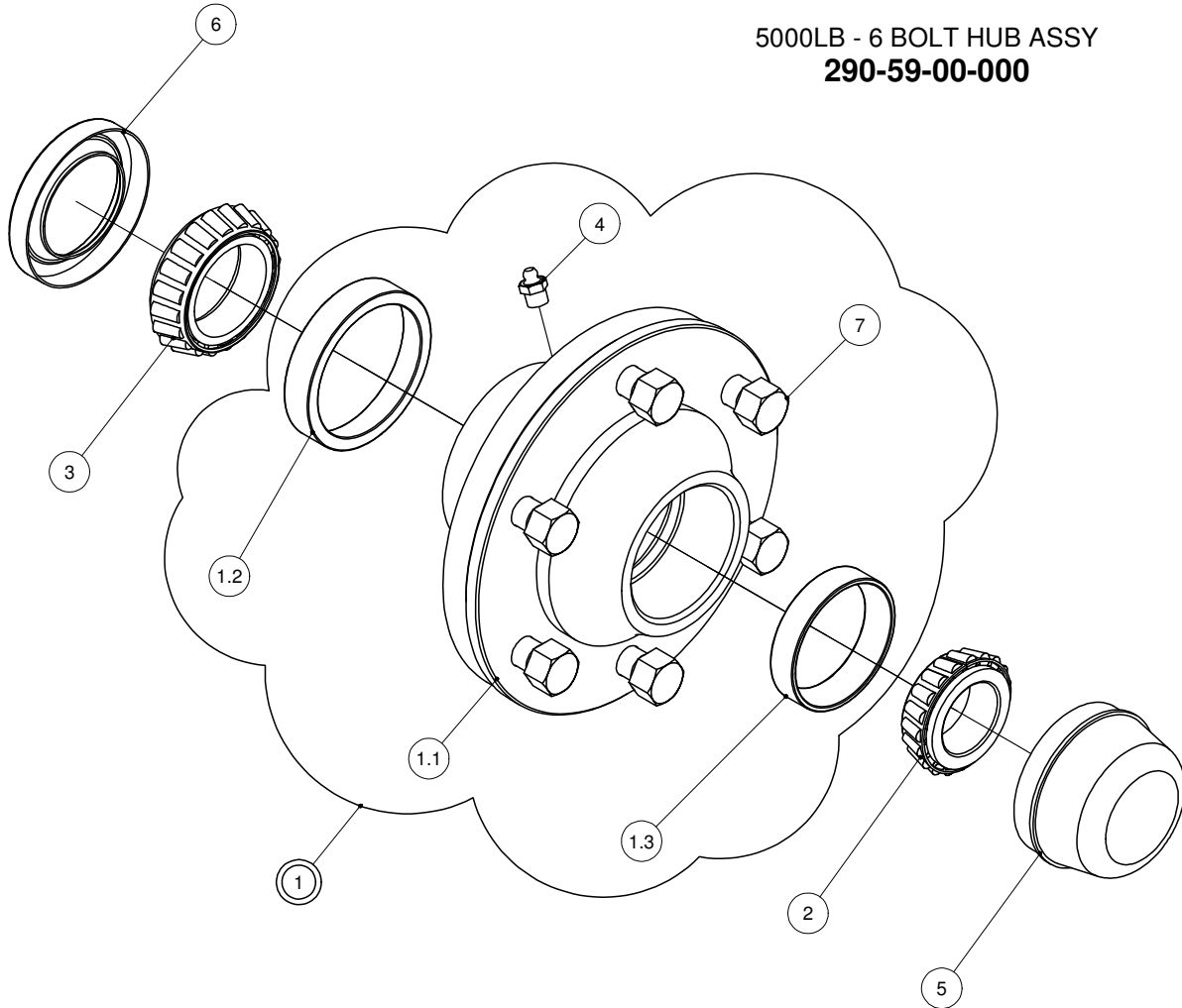


**UNIVERSAL CART KIT
480-32-00-000**

PARTS LIST				PARTS LIST			
ITEM	PART NUMBER	DESCRIPTION	QTY	ITEM	PART NUMBER	DESCRIPTION	QTY
1	480-32-01-000	AGITATOR FRAME ASSY	1	5	480-32-00-112	UNIVERSAL CLAMP BRKLT	4
1.1	480-10-01-054	TRAILER CROSS TUBE	1	6	247-07-00-000	TIRE & WHEEL ASSY P275/60R15	2
1.2	247-01-01-033	SPINDLE	2	6.1	R22560	P275 60R15 PASSENGER TIRE	1
1.3	480-32-01-110	AGITATOR CART BASE PLATE	1	6.2	R20045	15 x 8 x 6 BOLT WHEEL	1
1.4	480-32-01-111	AGITATOR CART "V" FRAME	2	6.3	R20020	VALVE STEM	1
1.5	290-59-00-000	5000LB - 6 BOLT HUB ASSY	2	7	R08040	2 - 18 LYNCH PIN	2
1.6	R20117	SPINDLE NUT	2	8	R08041	1/4" LYNCH PIN	1
1.7	R08015	3/16 x 2 COTTER PIN	2	9	R08217	1/2 x 1 1/4 SS UNC HEX BOLT	8
1.8	R20154	SPINDLE WASHER	2	10	R08235	1/2-13 SS UNC HEX NUT	8
2	480-10-02-000	TONGUE TUBE ASSY	1	11	R08319	3/8" SS LOCK WASHER	2
2.1	480-10-02-063	TONGUE TUBE	1	12	R08410	3/8 x 1 1/4 SS UNC HEX BOLT	2
2.2	480-10-02-064	HITCH PLATE	2	13	R08414	1/2" SS LOCK WASHER	8
3	480-10-03-000	PIN & CHAIN ASSY	2	14	R08440	3/8-16 SS UNC HEX NUT	2
4	480-10-04-000	TONGUE PIN ASSY	1	15	R09751	7000LB SIDE WIND JACK	1

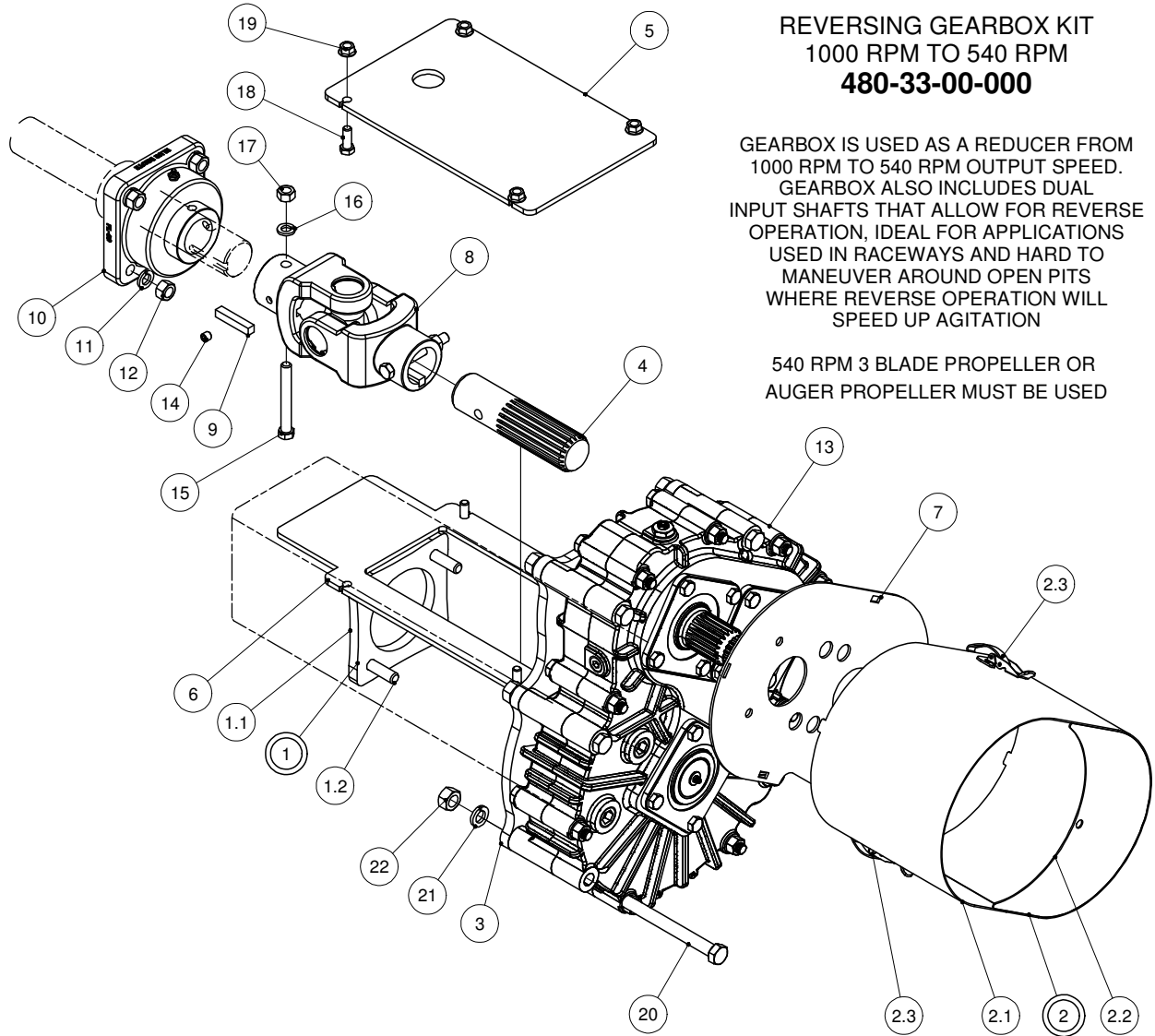
5000LB 6 BOLT HUB ASSY

5000LB - 6 BOLT HUB ASSY
290-59-00-000



PARTS LIST			
ITEM	PART NUMBER	DESCRIPTION	QTY
1	R22055	5000LB HUB w/ CUPS	1
1.1	R22054	5000LB HUB - 6 BOLT	1
1.2	R22058	INNER CUP LM603011	1
1.3	R22060	OUTER CUP LM48510	1
2	R22061	OUTER CONE LM48548	1
3	R22059	INNER CONE LM603049	1
4	R08186	1/8" NPT GREASE FTG	1
5	R22062	DUST CAP	1
6	R22063	SEAL CR2004	1
7	R20110	9/16 UNF WHEEL BOLT	6

REVERSING GEARBOX KIT



REVERSING GEARBOX KIT 1000 RPM TO 540 RPM **480-33-00-000**

GEARBOX IS USED AS A REDUCER FROM 1000 RPM TO 540 RPM OUTPUT SPEED. GEARBOX ALSO INCLUDES DUAL INPUT SHAFTS THAT ALLOW FOR REVERSE OPERATION, IDEAL FOR APPLICATIONS USED IN RACEWAYS AND HARD TO MANEUVER AROUND OPEN PITS WHERE REVERSE OPERATION WILL SPEED UP AGITATION

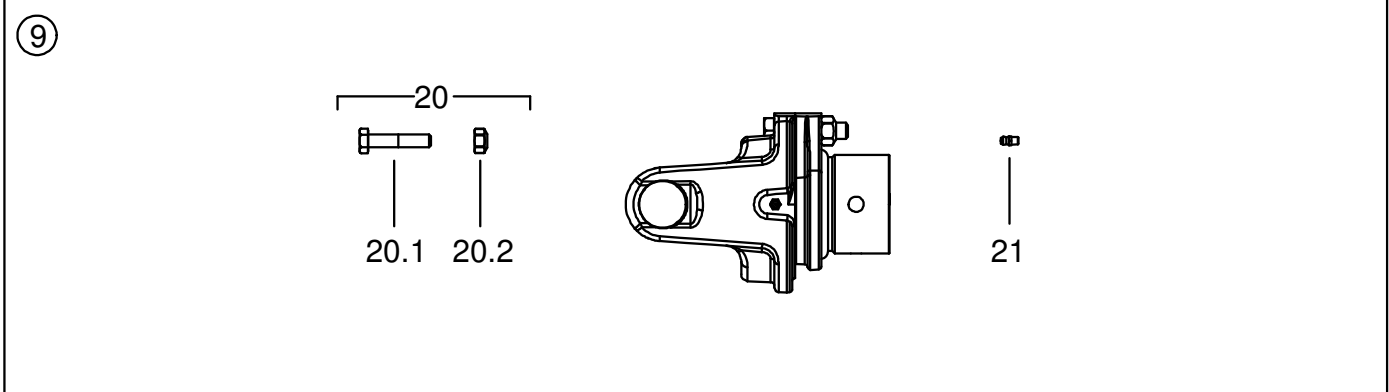
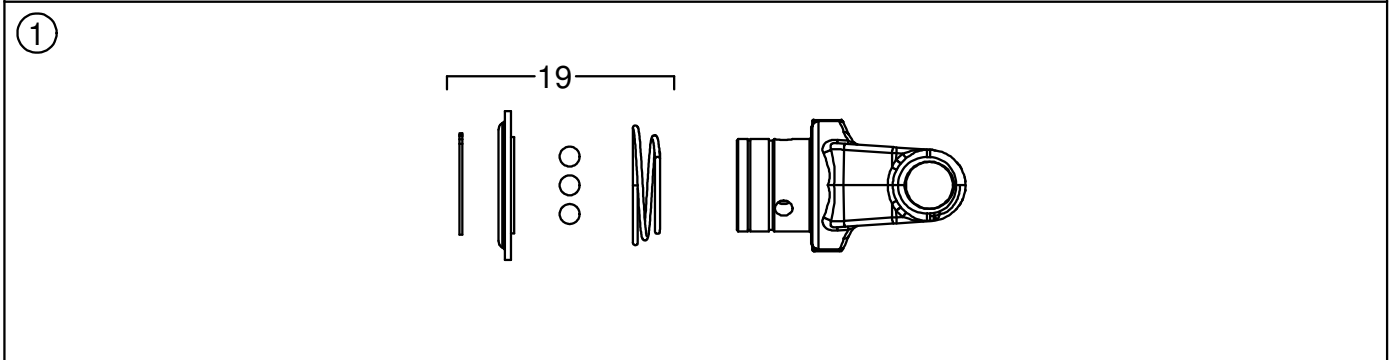
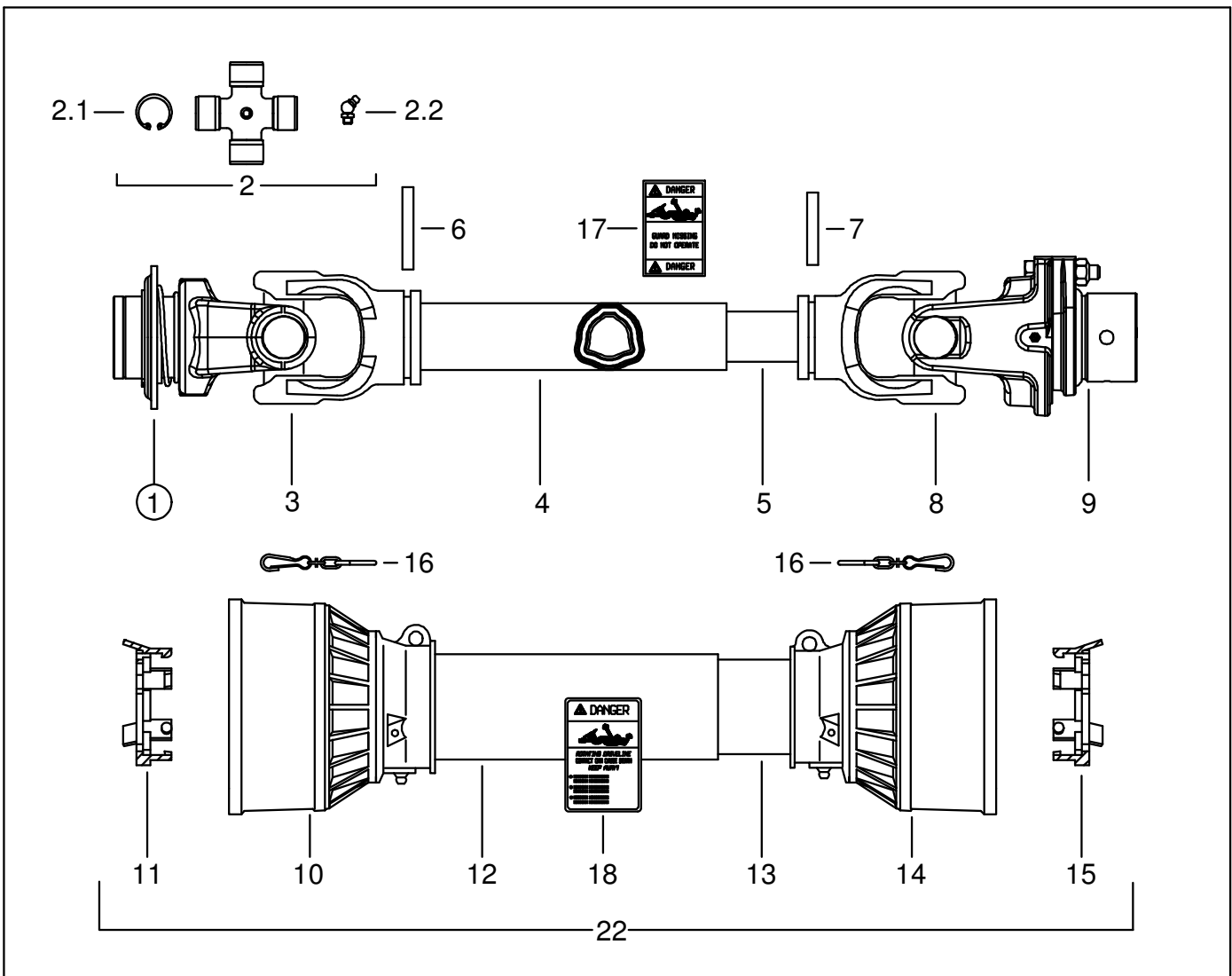
540 RPM 3 BLADE PROPELLER OR AUGER PROPELLER MUST BE USED

USE R04225 - SYNTHETIC LUBE/SHC 75W90 - 54oz/1.6L

PARTS LIST				PARTS LIST			
ITEM	PART NUMBER	DESCRIPTION	QTY	ITEM	PART NUMBER	DESCRIPTION	QTY
1	480-33-01-000	BRG BOLT PLATE ASSY	1	10	R20205	1 3/4" SQ FLANGE BEARING	1
1.1	480-33-01-114	BRG BOLT PLATE	1	11	R07805	1/2" LOCK WASHER	4
1.2	R07639	1/2 x 2 UNC HEX BOLT	4	12	R07785	1/2-13 UNC HEX NUT	4
2	480-33-02-000	PTO GUARD ASSY	1	13	R22497	REVERSING GEARBOX 1000 to 540rpm	1
2.1	480-33-02-119	PTO SHIELD	1	14	R07865	3/8 x 3/8 UNF SET SCREW	2
2.2	480-33-02-120	SHIELD CAP	1	15	R07633	7/16 x 3 1/2 UNC HEX BOLT	2
2.3	R10513	DRAW LATCH - 3 5/8" LONG	2	16	R07804	7/16" LOCK WASHER	2
3	480-33-00-113	REVERSING GEARBOX FLANGE	1	17	R07784	7/16-14 UNC HEX NUT	2
4	480-33-00-115	STUB SHAFT 1-3/4 Z20	1	18	R07619	3/8 x 1 UNC HEX BOLT	4
5	480-33-00-116	TUBE INSPECTION COVER	1	19	R07794	3/8-16 UNC FLANGE NUT	4
6	480-33-00-117	TUBE INSPECTION BASE PLATE	1	20	R07609	9/16 x 5 1/2 UNC HEX BOLT	6
7	480-33-00-118	PTO GUARD MOUNT PLATE	1	21	R07858	9/16" LOCK WASHER	6
8	270-32-00-000	KNUCKLE ASSY	1	22	R07818	9/16-12 UNC HEX NUT	6
9	270-00-00-075	3/8 KEY - 50mm LONG	2				

This Page is Intentionally Left Blank

PROPELLER AGITATOR PTO



PROPELLER AGITATOR PTO

R22200 - 1 3/8" 6 TOOTH - 540 RPM (STANDARD)

R22201 - 1 3/8" 21 TOOTH - 1000 RPM

R22202 - 1 3/4" 20 TOOTH - 1000 RPM

PARTS LIST				
ITEM	MFG NUMBER	PART NUMBER	DESCRIPTION	QTY
1	5720M0355	R22330	1 3/8 - 6 TOOTH QD YOKE w/ SLEEVES 540 rpm	1
	5720M3755	R22332	1 3/8 - 21 TOOTH QD YOKE w/ SLEEVES 1000 rpm	1
	5720M3855	R22333	1 3/4 - 20 TOOTH QD YOKE w/ SLEEVES 1000 rpm	1
2	4120M0011R20	R21614	CROSS KIT - S9 34.9x106	2
2.1	338023000	R21621	CIRCLIP	4
2.2	348004000	R21655	GREASE NIPPLE 45°	1
3	204086860	R21620	YOKE #8 OUTER TUBE	1
4	225730803	R21616	CARDAN DRIVE TUBE - OUTER	1
5	225690803	R21615	CARDAN DRIVE TUBE - INNER	1
6	341054000R10	R21613	FLEXIBLE PIN - OUTER 12x90mm	1
7	341055000R10	R21612	FLEXIBLE PIN - INNER 12x75mm	1
8	204086861	R21619	YOKE #8 INNER TUBE	1
9	6060M8801	R21648	1 3/4" RD HOLE SHEAR YOKE	1
10	517080130	R21610	OUTER SHIELD CONE	1
11	255080005R02	R21609	OUTER SHIELD SUPPORT	1
12	236850752	R21618	CM SAFETY TUBE-OUTER	1
13	236840752	R21617	CM SAFETY TUBE-INNER	1
14	517080120	R21611	INNER SHIELD CONE	1
15	255080006R02	R21608	INNER SHIELD SUPPORT	1
16	252000050R02	R21738	SHIELD TIE CHAIN	2
17	399143000	R21523	"SHIELD MISSING" DECAL	1
18	399141000	R21521	ROTATING DRIVELINE DECAL	1
19	240003551	R21713	R.S. COLLAR KIT	1
20	-	480-31-00-000	SHEAR BOLT 5-PACK	1
20.1	-	R21639	M12-1.75 x55 HEX BOLT GR 8.8 (NOT FOR INDIVIDUAL SALE)	1
20.2	-	R21604	M12-1.75 NYLOCK NUT (NOT FOR INDIVIDUAL SALE)	1
21	348017000R20	R21687	GREASE NIPPLE M6x1 STRAIGHT	1
22	5F08101FFUC	R21629	COMPLETE SHIELD KIT	1

GUARANTEE

All Husky Farm Equipment manufactured by Husky Farm Equipment Limited is guaranteed. Guarantee covers all the replacement cost or repair of all parts said to be defective from manufacture. Guarantee also covers labour installing said parts, if installed at Husky Manufacturing plant. Time and use is the essence of the guarantee. If equipment is used on a private property for an individual's use, guarantee will be in effect for twelve months from date of invoice. If equipment is used for commercial use to do custom work for money then guarantee will be in effect for three months only from date of invoice.

EXEMPTIONS FROM GUARANTEE

Cost of transportation of equipment to or from Husky Farm Equipment Limited either by customer or by Husky's service staff or cost of mail or public transportation is not covered. Tires and electric or hydraulic motors are covered by manufacturer's warranty and although Husky may assist to get warranty, Husky will not be responsible other than that allowed by manufacturer's warranty. Items subject to normal wear from use not covered by guarantee if faulty part is simply worn.