

Office Copy

April 2, 2001-20

Apr 27/01-10

May 25/01-10

June 25/01-10

Sep 5/01-10

Oct 5/01-10

Nov 2/01-10

Feb 14/02-10

Date Purchased _____ Machine Serial No. _____

Size of Pump _____ Options _____

PLEASE NOTE:

The key number system in this parts book is arranged as follows:

- 0 -- Key number with one circle denotes main assemblies
- Key Numbers not circled are individual parts.

Please order parts by number

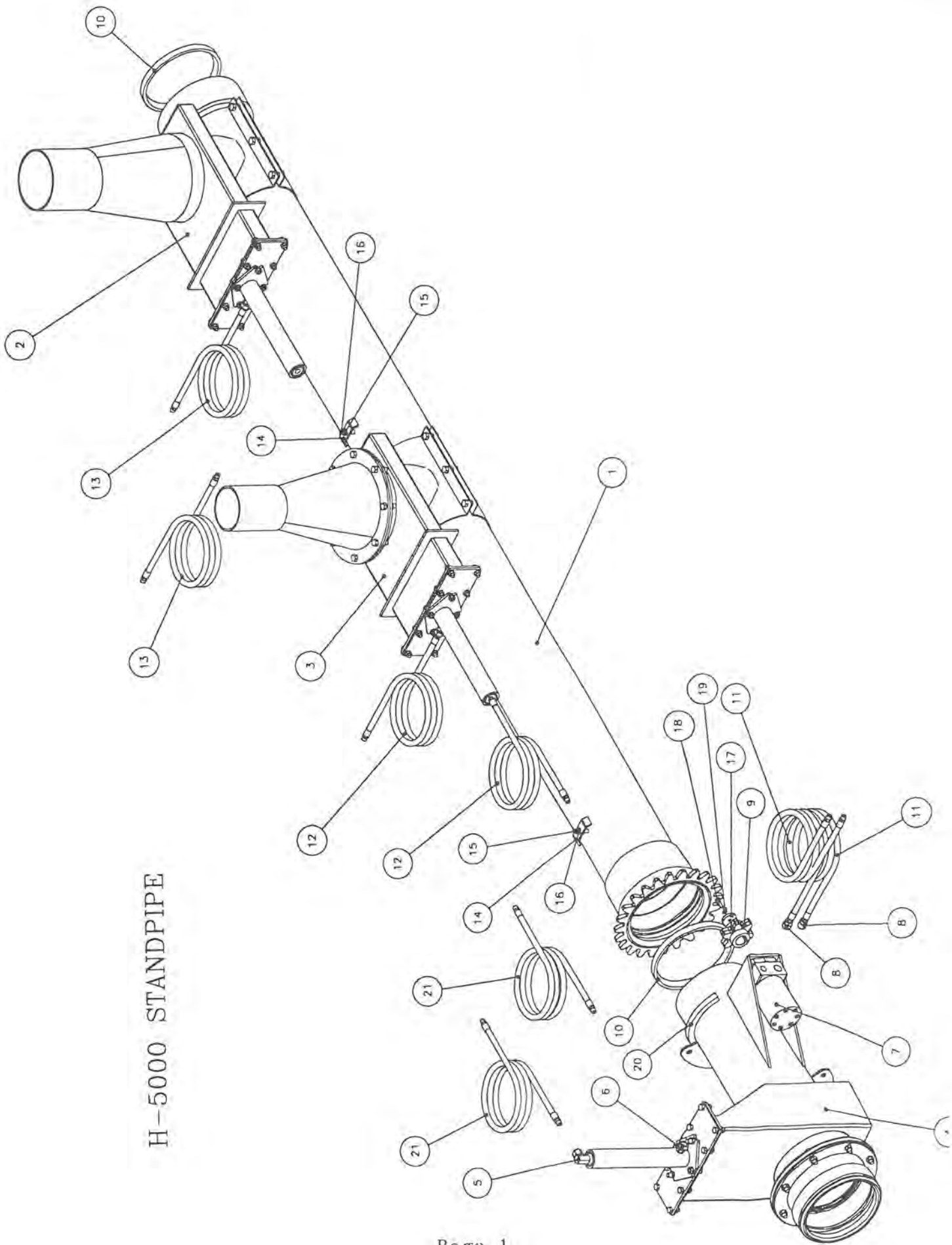
H5000

HUSKY LIQUID MANURE PUMP

OPERATING INSTRUCTIONS:

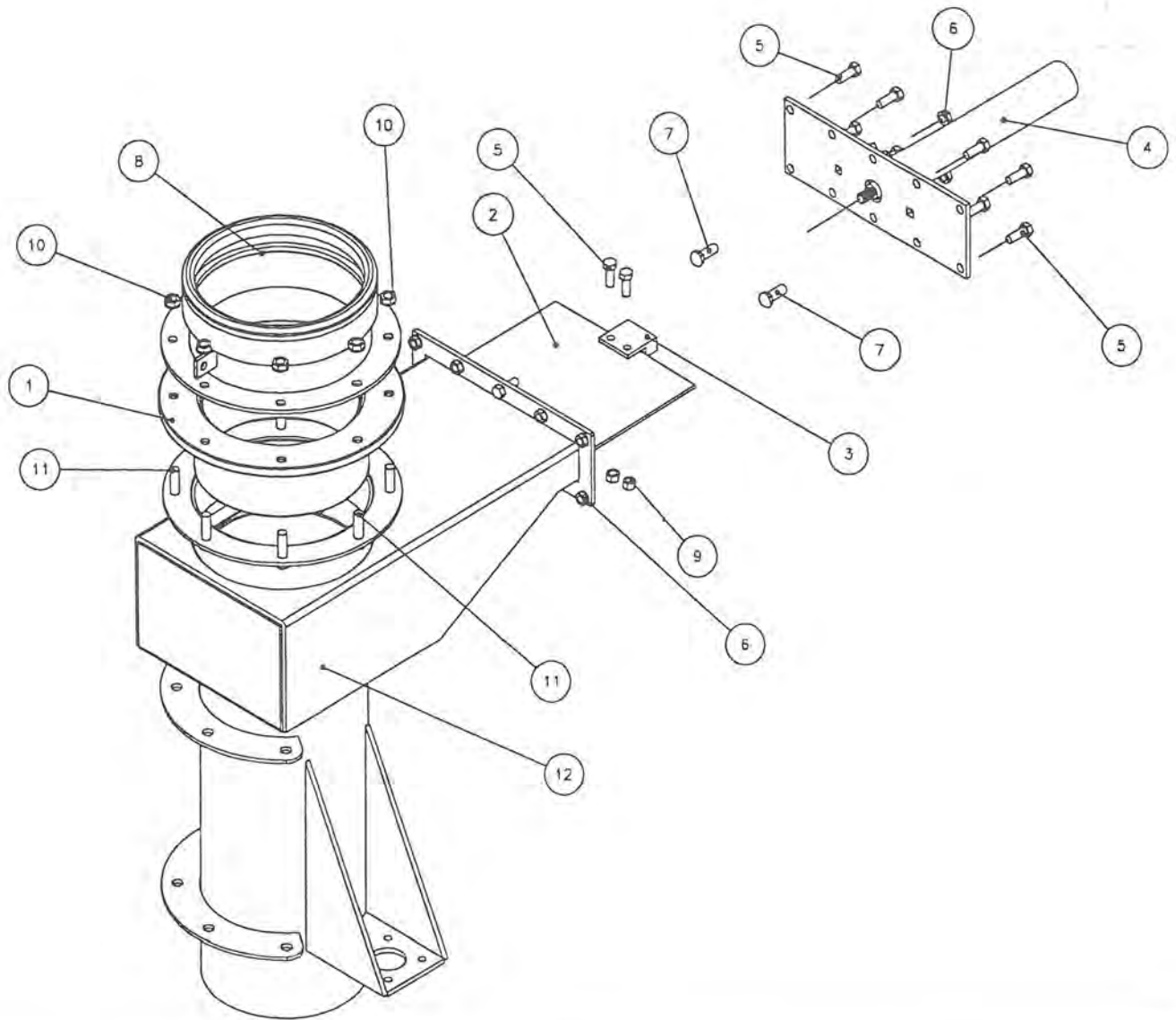
1. Do not leave pump in manure pit - remove pump from pit - wash off and cover with old oil or diesel fuel.
2. Do not over rev. tractor while pumping as discharge spout will lift into the air. If pumping fast tie down spout.
3. The (Urethane) marine bearing at the bottom of the pump is lubricated with manure or water. If the level of the liquid is below the bearing and you are running for long periods put a water hose in the top of standpipe.
4. Always fill all hydraulic motors and cylinders with oil before installing in pit.
5. **EXTREME DANGER** - Never enter a dirty manure spreader or storage tank - one breath of hydrogen sulphide gas is enough to kill. Have a ladder in your pit, so that if by accident you should fall in, you can get out again. Keep all lids closed and open pits fenced to keep children and animals out.
6. For open centre hydraulic tractors, use short plug on right hand end of hydraulic valve. For closed centre hydraulics use long plug with O Ring. (Oil must flow in left hand end of valve).

H-5000 STANDPIPE



H-5000 STANDPIPE

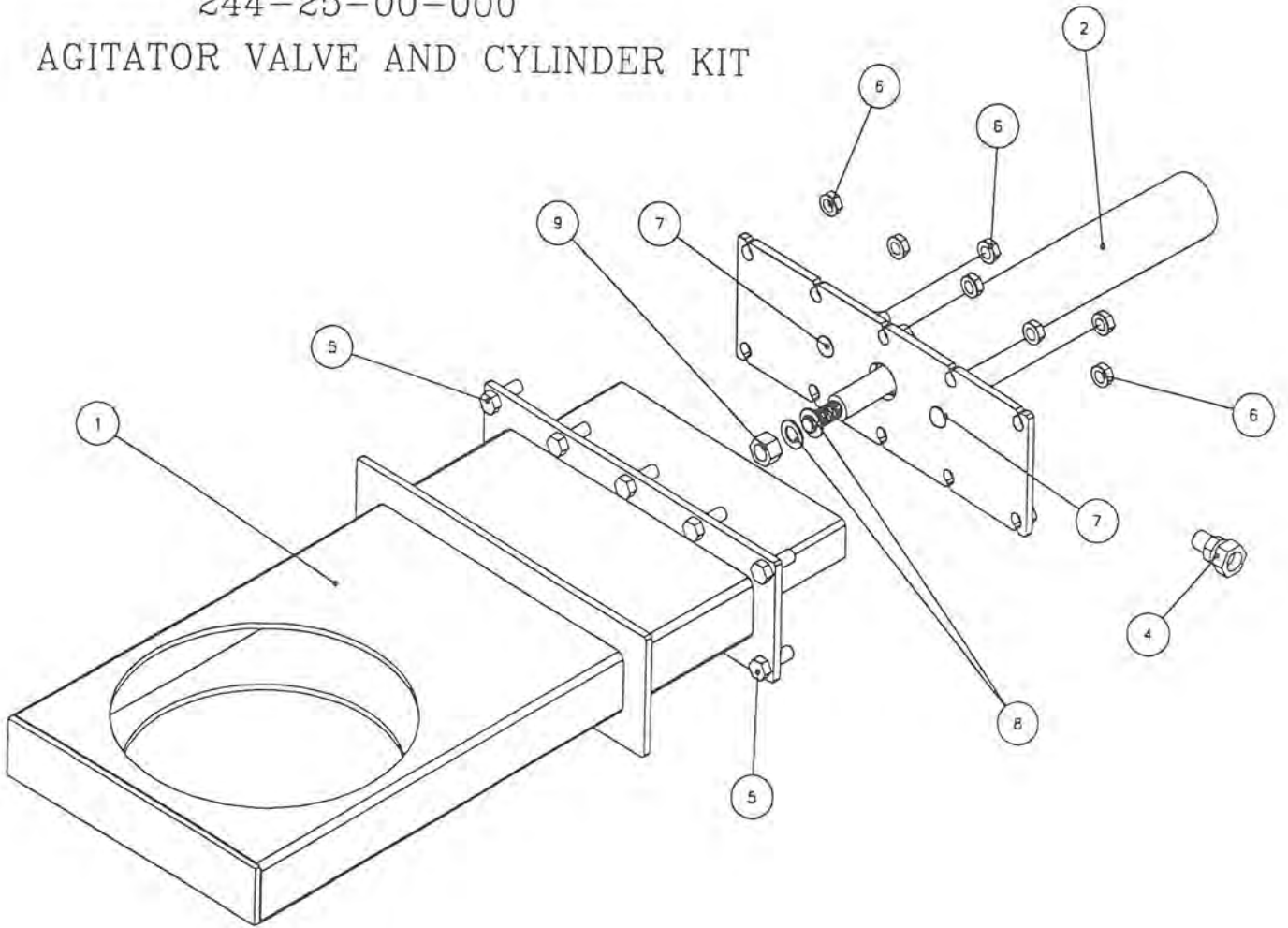
Item	Name	Description	Qty
1	242-43-00-000	8 FT STANDPIPE ASSY	1
1	244-40-00-000	10 FT STANDPIPE ASSY	1
1	246-41-00-000	12 FT STANDPIPE ASSY	1
2	244-16-00-000	LOWER AGITATOR VALVE COMPLETE	1
3	244-15-00-000	UPPER AGITATOR VALVE COMPLETE	1
4	244-58-00-000	UPPER VALVE AND EXTENSION PIPE KIT	1
5	R21366	1/2 X 90 STR ELBOW	1
6	R21287	1/4M X 3/8F STR SWIVEL ADAPTOR	1
7	R20851	HYDRAULIC MOTOR	1
8	R02043	1/2 X 3/8" BUSHING	2
9	244-60-00-000	HD SPROCKET ASSY	1
10	R02360	8" RUBBER GASKET	2
11	242-37-00-000	HYD HOSE ASSY-CONTROL TO ROTATE-8FT	2
11	242-39-00-000	HYD HOSE ASSY-CONTROL TO ROTATE-10FT	2
11	244-45-00-000	HYD HOSE ASSY-CONTROL TO ROTATE-12FT	2
12	244-46-00-000	HYD HOSE ASSY-CONTROL TO TOP TEE	2
13	242-41-00-000	HYD HOSE ASSY-CONTROL TO BOTTOM TEE-8FT	2
13	244-47-00-000	HYD HOSE ASSY-CONTROL TO BOTTOM TEE-10FT	2
13	246-52-00-000	HYD HOSE ASSY-CONTROL TO BOTTOM TEE-12 FT	2
14	290-00-00-167	HYDRAULIC HOSE CLIP	2
15	R08302	3/8-16 UNC X 1 5/8" WELD STUD	2
16	R07794	3/8" FLANGE NUT	2
17	290-00-00-098	SLEEVE CAP	1
18	R07601	1/4 X 1" HEX BOLT	1
19	R07801	1/4" LOCK WASHER	1
20	244-38-00-387	STOP RING	1
21	244-19-00-000	HYD HOSE ASSY-CONTROL TO DISCHARGE-8FT	2
21	246-51-00-000	HYD HOSE ASSY-CONTROL TO DISCHARGE-10FT	2
21	246-20-00-000	HYD HOSE ASSY-CONTROL TO DISCHARGE-12FT	2



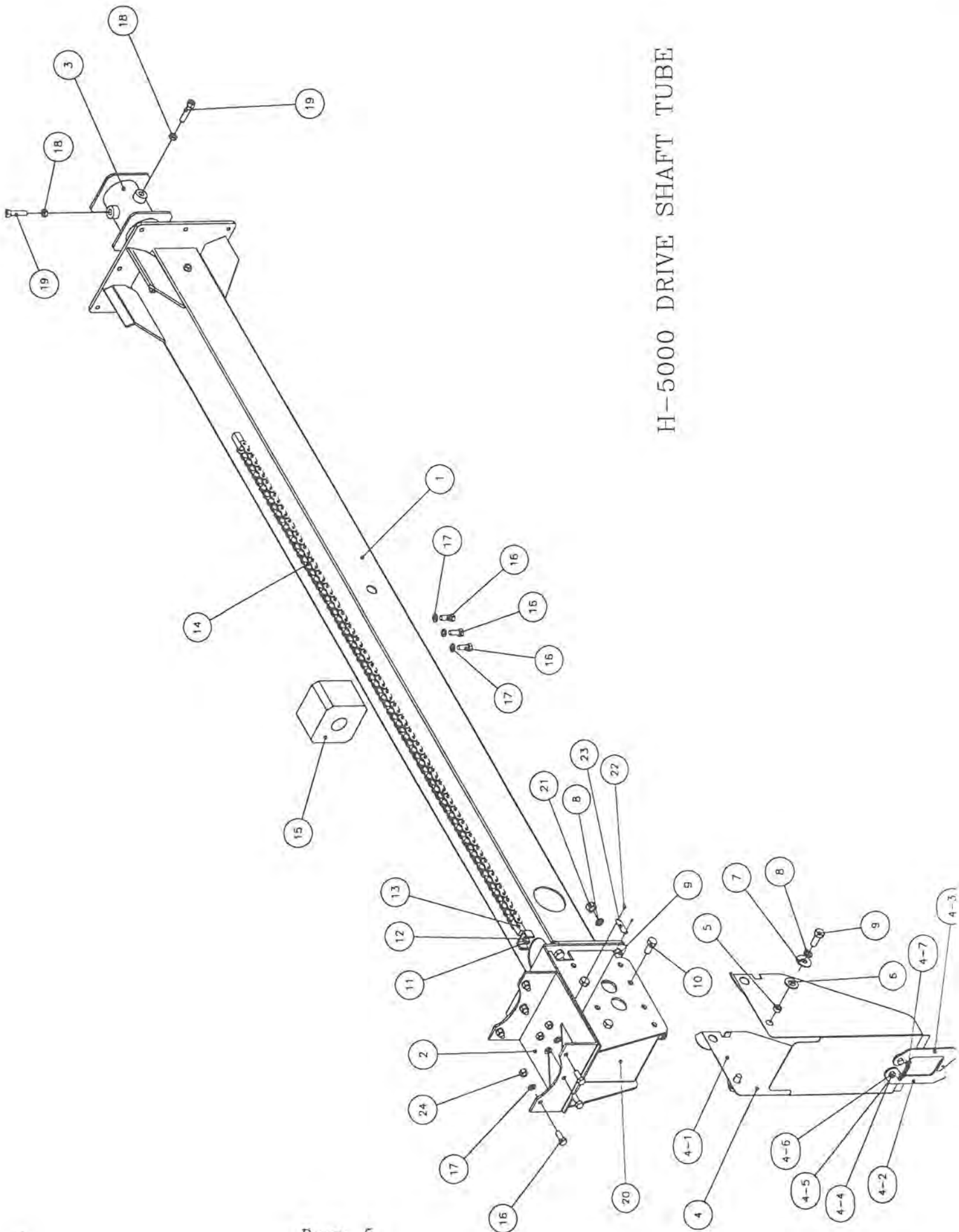
UPPER VALVE

Item	Name	Description	Qty
1	244-58-05-000	INNER SEAL W/URETHENE ASSY	1
2	244-58-00-392	VALVE GATE	1
3	244-58-00-393	YOKE	1
4	244-58-01-000	HYDRAULIC CYLINDER KIT	1
5	R07619	3/8 X 1" HEX BOLT	11
6	R07794	7/16" FLANGE HEX NUT	12
7	R07732	7/16 X 1 1/4" CARRIAGE BOLT	2
8	244-58-06-000	FLANGED EXTENSION PIPE ASSY	1
9	R07886	3/8" 2-WAY LOCK NUT	2
10	R07879	7/16-14 UNC FL NUT	8
11	R07629	7/16 X 1 1/2" HEX BOLT	8
12	244-58-02-000	UPPER VALVE AND STANDPIPE ASSY	1

244-25-00-000
 AGITATOR VALVE AND CYLINDER KIT



AGITATOR VALVE			
Item	Name	Description	Qty
1	244-14-01-000	VALVE HOUSING ASSY	1
2	244-26-00-000	HYDRAULIC CYLINDER AND FLANGE COMPLETE	1
3	242-36-42-000	VALVE GATE ASSY	1
4	R21287	1/4 M X 3/8" STRAIGHT SWIVEL ADAPTOR	1
5	R07619	3/8 X 1" HEX BOLT	10
6	R07794	3/8" FLANGE NUT	12
7	R07720	3/8 X 3/4" CARRIAGE BOLT	2
8	R08222	1/2" SAE STAINLESS STEEL FLAT WASHER	2
9	R08229	1/2" STAINLESS STEEL NYLOC HEX NUT	1



H-5000 DRIVE SHAFT TUBE

H-5000 DRIVE SHAFT TUBE

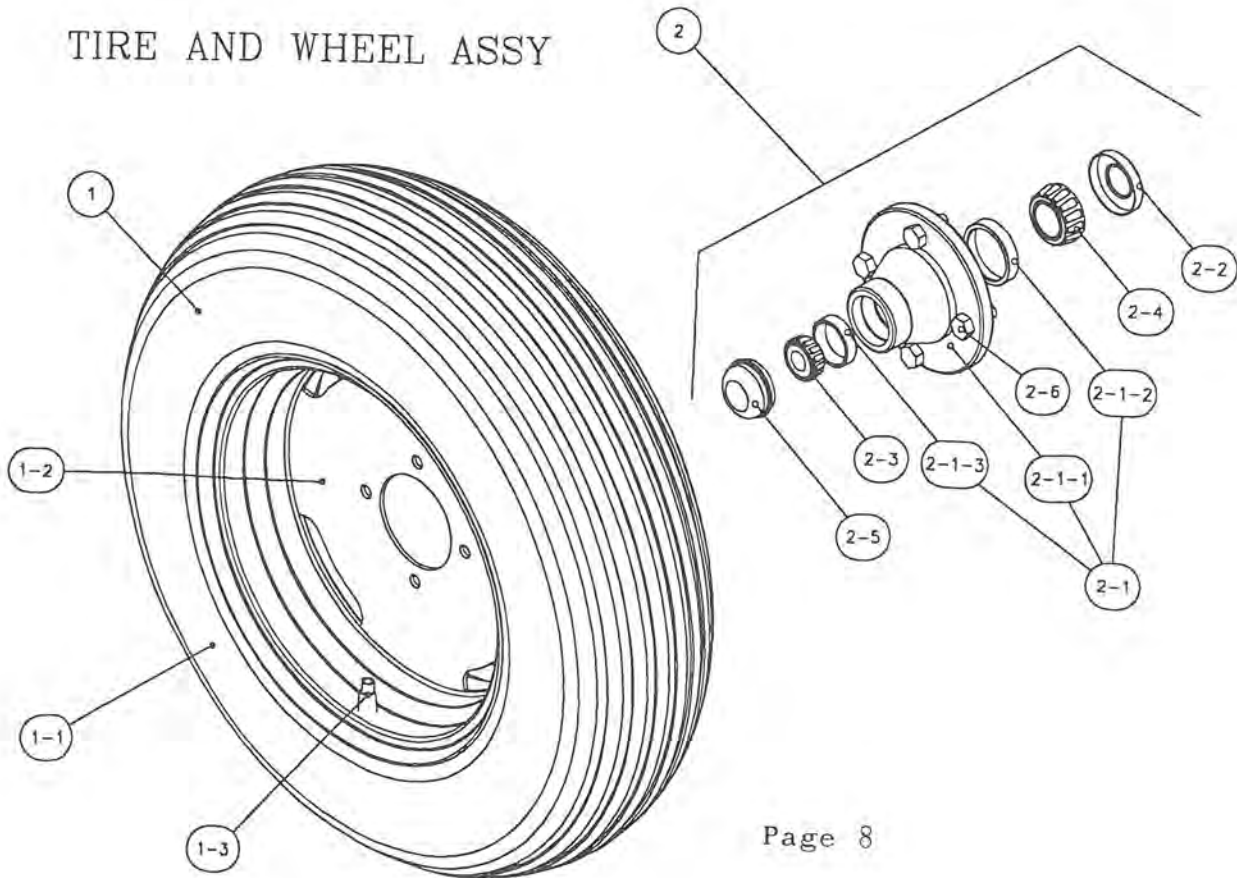
Item	Name	Description	Qty
1	242-82-00-000	SHAFT TUBE ASSY LESS CHAIN-8FT MODEL	1
1	244-83-00-000	SHAFT TUBE ASSY LESS CHAIN-10FT MODEL	1
1	246-84-00-000	SHAFT TUBE ASSY LESS CHAIN-12FT MODEL	1
2	244-03-00-000	GEARBOX HOLDER ASSY	1
3	244-13-00-000	MARINE BEARING AND HOLDER COMPLETE	1
4	242-45-00-000	PTO GUARD AND BRACKET KIT	1
4-1	244-04-00-000	PTO GUARD ASSY	1
4-2	242-96-00-000	LH STABILIZER BRACKET ASSY	1
4-3	242-16-00-000	RH STABILIZER BRKT ASSY	1
4-4	R07671	7/16 X 1" HEX BOLT	2
4-5	R07824	7/16" FLAT WASHER	2
4-6	R07891	7/16" HEX LOCK NUT	2
4-7	R08025	STABILIZER SPRING	1
5	242-00-00-338	FLIP GUARD SPACER	2
6	242-00-00-336	RUBBER WASHER	2
7	R07826	5/8" FLAT WASHER	2
8	R07806	5/8" LOCK WASHER	6
9	R07646	5/8 X 1 1/2" HEX BOLT	6
10	R07673	5/8 X 1 1/4" HEX BOLT	6
11	R07797	3/8" HEX NUT	1
12	R07868	3/8 X 1 1/2" CAP SCREW	1
13	242-00-00-066	CHAIN TIGHTENER	1
14	242-00-00-065	LIFT CHAIN-8FT MODEL	1
14	244-00-00-169	LIFT CHAIN-10FT MODEL	1
14	246-00-00-177	LIFT CHAIN-12FT MODEL	1
15	R20235	5.58" SQ WOOD BEARING	1
16	R07674	1/2 X 1 1/4" HEX BOLT	9
17	R07805	1/2" LOCK WASHER	9
18	R08046	1/2-13 UNC HEX JAM NUT	2

Item	Name	Description	Qty
19	250-59-00-000	STAINLESS STEEL SET SCREW ASSY	2
20	R21760	PRAIRIE GEARBOX 1:1.17	1
20	R21761	PRAIRIE GEARBOX 1:1.47	1
20	R21800	PRAIRIE GEARBOX 1:1	1
20	R21763	PRAIRIE GEARBOX 1:1.35	1
21	R07786	5/8" HEX NUT	4
22	R08162	1/4" X #4 DRIVE SCREW	2
23	R09071	SERIAL NUMBER PLATE	1
24	R07785	1/2" HEX NUT	6

TIRE AND WHEEL

Item	Name	Description	Qty
1	250-65-00-000	TIRE AND WHEEL ASSY-5.90 X 15	1
1-1	R20016	5.90 X 15 RIB IMPLEMENT TIRE	1
1-2	R20057	4.5 X 15 WHEEL-4 BOLT	1
1-3	R20020	VALVE STEM	1
2	250-60-30-000	H-411 HUB COMPLETE	1
2-1	R20139	H-411 HUB W/CUPS	1
2-1-1	R20160	H-411 HUB	1
2-1-2	R20129	INNER CUP-LM67010	1
2-1-3	R20130	OUTER CUP-LM11910	1
2-2	R20144	GREASE SEAL-SE11	1
2-3	R20158	OUTER CONE-LM11949	1
2-4	R20159	INNER CONE-LM67048	1
2-5	R20143	DUST CAP DC-12	1
2-6	R20145	WHEEL BOLTS 1/2-20 UNF X 1"	4

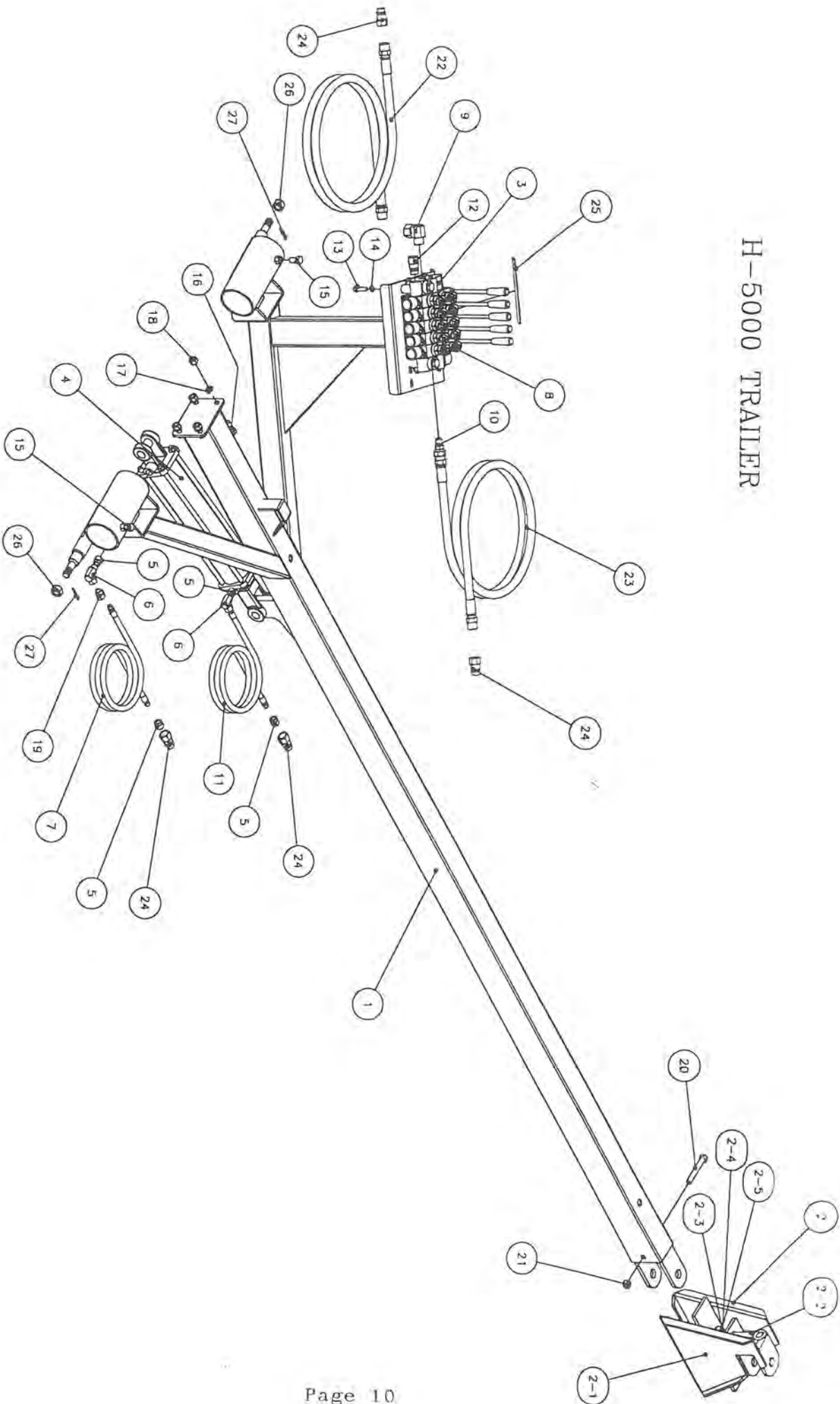
TIRE AND WHEEL ASSY



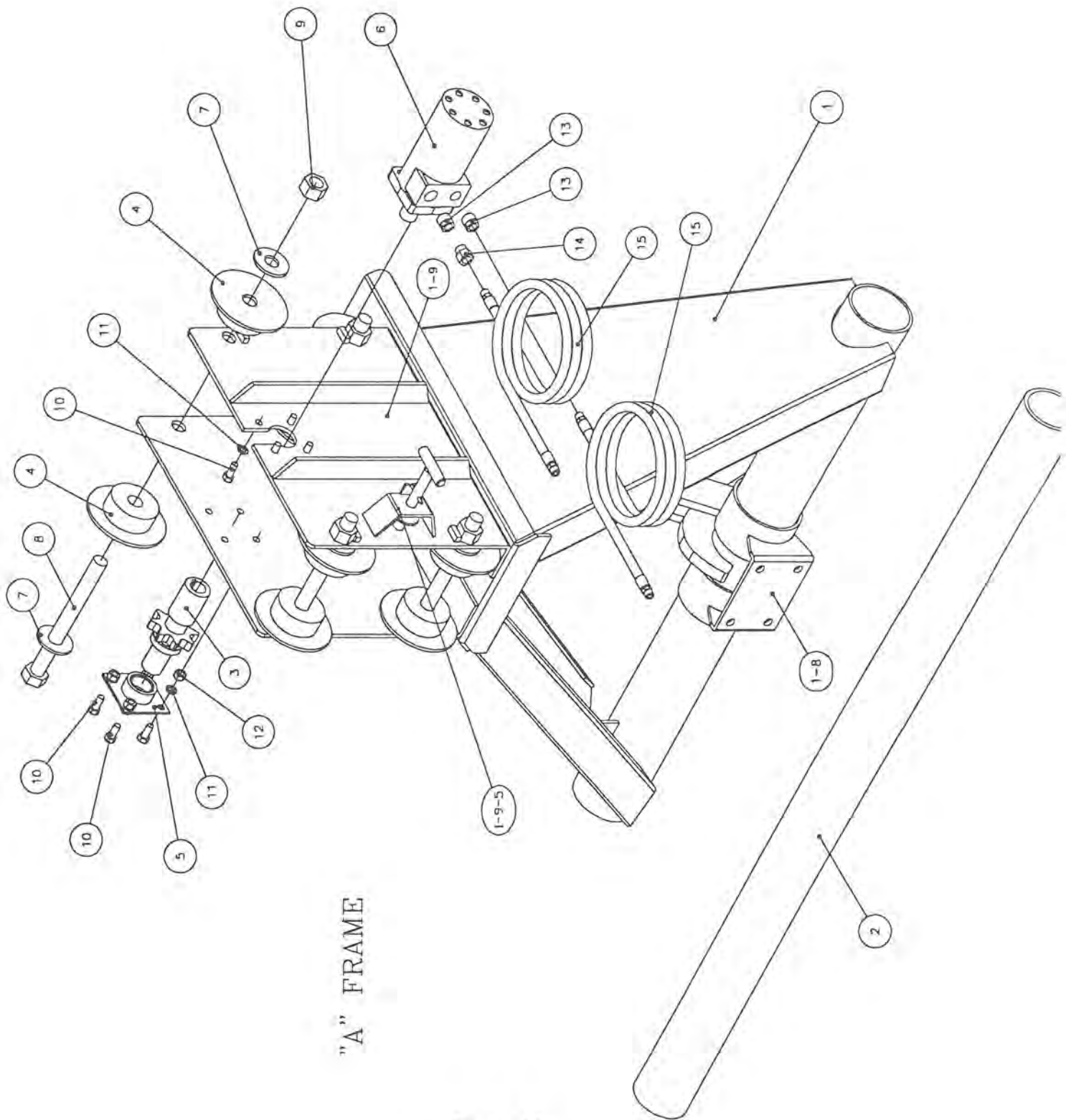
H-5000 TRAILER

Item	Name	Description	Qty
1	242-89-00-000	TRAILER ASSY	1
2	244-06-00-000	HITCH KIT	1
2-1	242-99-00-000	HITCH ASSY	1
2-2	242-98-00-000	PIN ASSY	1
2-3	R07826	5/8" FLAT WASHER	1
2-4	R08002	5/32 X 1 1/2" COTTER PIN	1
2-5	R08027	SPRING	1
3	R22127	PRINCE 5 BANK VALVE	1
4	R20729	3 X 14" HYDRAULIC CYLINDER	1
5	R02043	1/2 X 3/8" BUSHING	4
6	R21366	1/2 X 90 STR ELBOW	2
7	242-34-00-000	HYDRAULIC HOSE -TRACTOR TO CYLINDER	1
8	R20826	3/4-16 SAE X 3/8" NPT X 45 DEGREE SWIVEL ADAPTOR	10
9	R21322	7/8 SAE X 1/2" F NPT 90 DEGREE SWIVEL ADAPTOR	1
10	R21279	7/8-14ORB X 1/2"NPT ADAPTOR	1
11	242-35-00-000	HYDRAULIC HOSE ASSY-TRACTOR TO CYLINDER	1
12	R20795	COSED CENTER PLUG	1
12	R21376	OPEN CENTER PLUG	1
13	R07675	3/8 X 1 1/4" HEX BOLT	3
14	R07803	3/8" LOCK WASHER	3
15	R07637	1/2 X 1" HEX HEAD BOLT	2
16	R07674	1/2 X 1 1/4" HEX HEAD BOLT	4
17	R07805	1/2" LOCK WASHER	4
18	R07785	1/2" HEX NUT	4
19	R21336	3/8 X 90% D STREET ELBOW	1
20	R07642	1/2 X 3 1/2" HEX HEAD BOLT	1
21	R07885	1/2" LOCK NUT	1
22	242-71-00-000	1/2" HYDRAULIC HOSE ASSY-TRACTOR TO CONTROL	1
23	242-72-00-000	1/2" HYDRAULIC HOSE ASSY-TRACTOR TO CONTROL	1
24	R21342	1/2" PIONEER TIP	4

H-5000 TRAILER



Item	Name	Description	Qty
25	R09506	CONTROL VALVE STICKER	1
26	R20142	3/4-16UNF SLOTTED HEX NUT	2
27	R08002	5/32 X 1 1/2" COTTER PIN	2

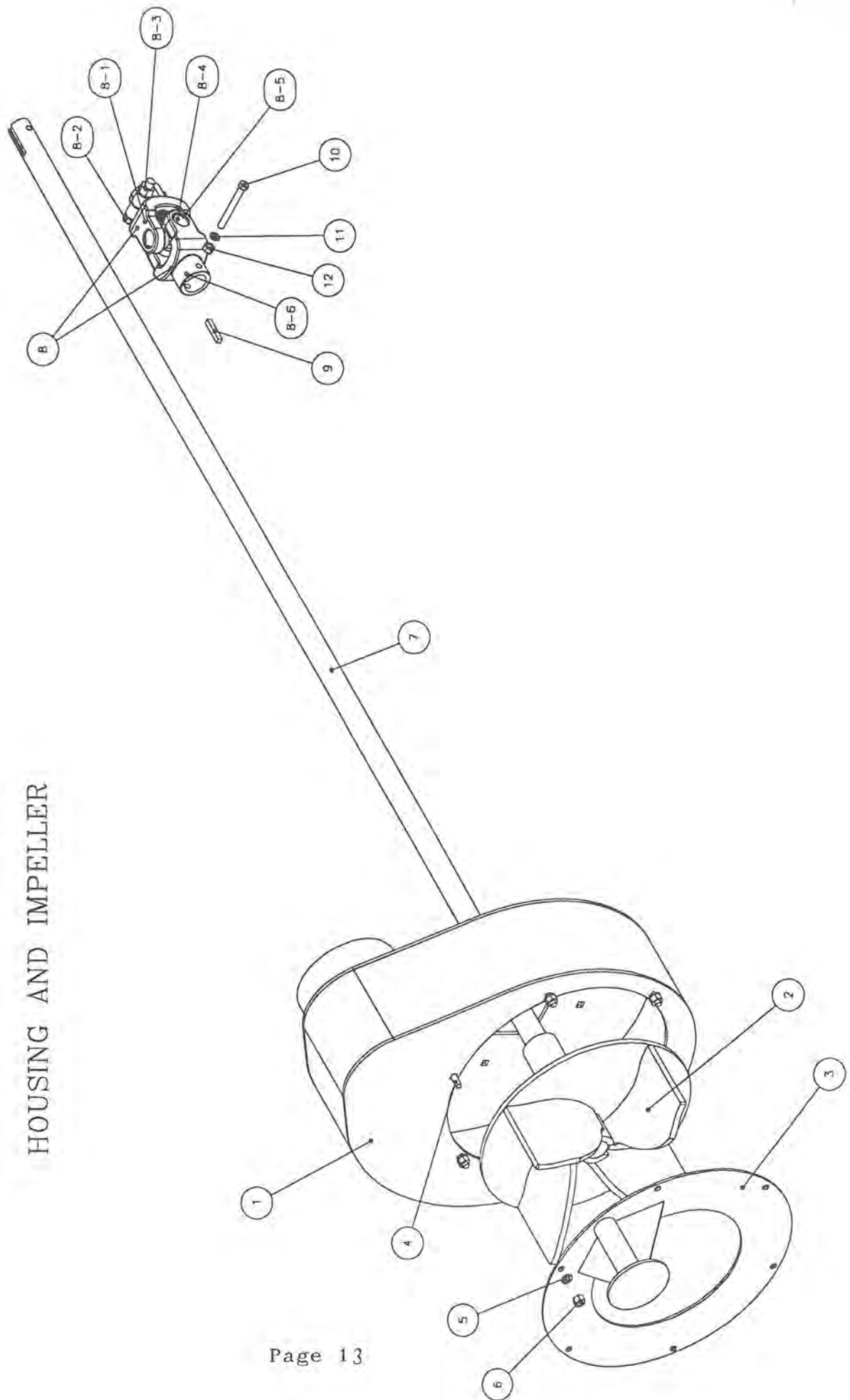


"A" FRAME

"A" FRAME

Item	Name	Description	Qty
1	242-17-00-000	"A" FRAME ASSY	1
1-8	242-19-00-000	TONGUE AXLE BRKT ASSY	1
1-9	242-17-13-000	RH SPOOL HOLDER ASSY	1
1-9-5	242-27-00-000	SIDE LOCK KIT	1
1-9-5-1	242-17-17-000	SIDE LOCK BRKT ASSY	1
1-9-5-2	242-17-18-000	SIDE LOCK PIN ASSY	1
1-9-5-3	R07943	3/16 X 1 1/2" ROLL PIN	1
1-9-5-4	R07826	5/8" FLAT WASHER	1
1-9-5-5	R08027	SPRING	1
2	242-00-00-113	INNER AXLE	1
3	242-25-00-000	SPROCKET DRIVE ASSY	1
4	242-24-00-000	SPOOL ASSY	8
5	242-26-00-000	BUSHING HOLDER ASSY	1
6	R20851	HYDRAULIC MOTOR	1
7	R07828	1" FLAT WASHER	8
8	R07697	7/8 X 9" HEX BOLT	4
9	R08047	7/8" LOCK NUT	4
10	R07670	3/8 X 7/8" HEX BOLT	8
11	R07803	3/8" LOCK WASHER	8
12	R07783	3/8" HEX NUT	4
13	R02043	1/2 X 3/8" BUSHING	2
14	R21336	3/8-18 NPT RESTRICTOR	1
15	242-38-00-000	HYDRAULIC HOSE ASSY	2

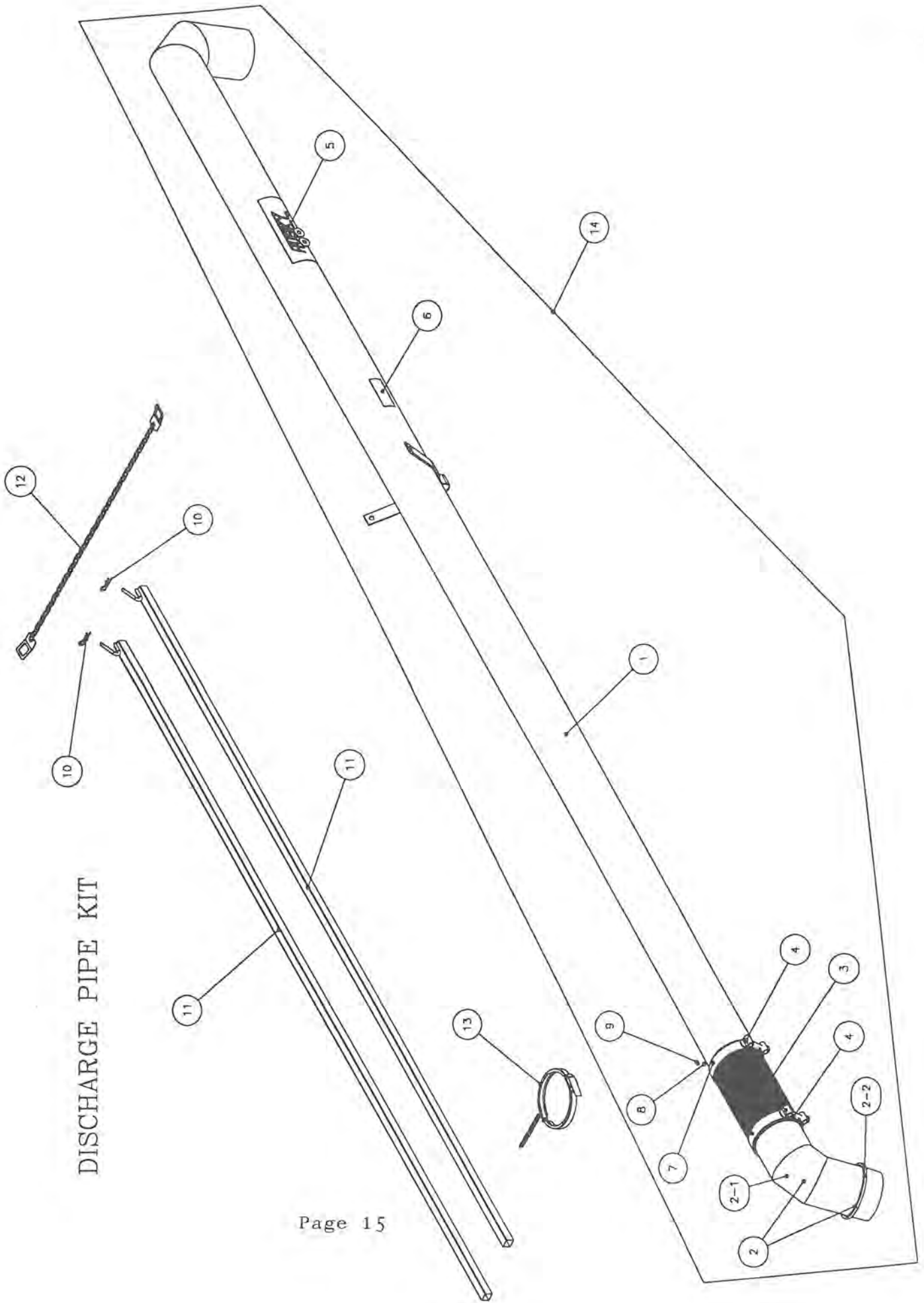
HOUSING AND IMPELLER



HOUSING AND IMPELLER

Item	Name	Description	Qty
1	244-39-00-000	IMPELLER HOUSING ASSY	1
2	244-18-00-000	IMPELLER ASSY	1
3	244-01-00-000	COVER PLATE ASSY	1
4	R07741	1/2 X 1" CARRIAGE BOLT	6
5	R07805	1/2" LOCK WASHER	6
6	R07785	1/2" HEX NUT	6
7	242-00-00-258	IMPELLER SHAFT-8FT MODEL	1
7	244-00-00-259	IMPELLER SHAFT-10FT MODEL	1
7	246-00-00-260	IMPELLER ASSY-12FT MODEL	1
8	242-54-00-000	KNUCKLE ASSY	1
8-1	R22028	QD YOKE 1 3/4" 27 TOOTH W/BOLT & NUT	1
8-2	R08281	M16 X 90 SOCKET HEAD CAP SCREW	1
8-3	R08266	M16-2 NYLON INSERT LOCK NUT	1
8-4	R22029	JOURNAL AND BEARING KIT	1
8-5	R20405	SNAP RING	4
8-6	R22030	1 3/4" ROUND HOLE YOKE	1
9	270-00-00-075	3/8 X 3/8 X 2" KEY	1
10	R07634	7/16 X 4" HEX BOLT	1
11	R07804	7/16" LOCK WASHER	1
12	R07784	7/16" HEX NUT	1

DISCHARGE PIPE KIT



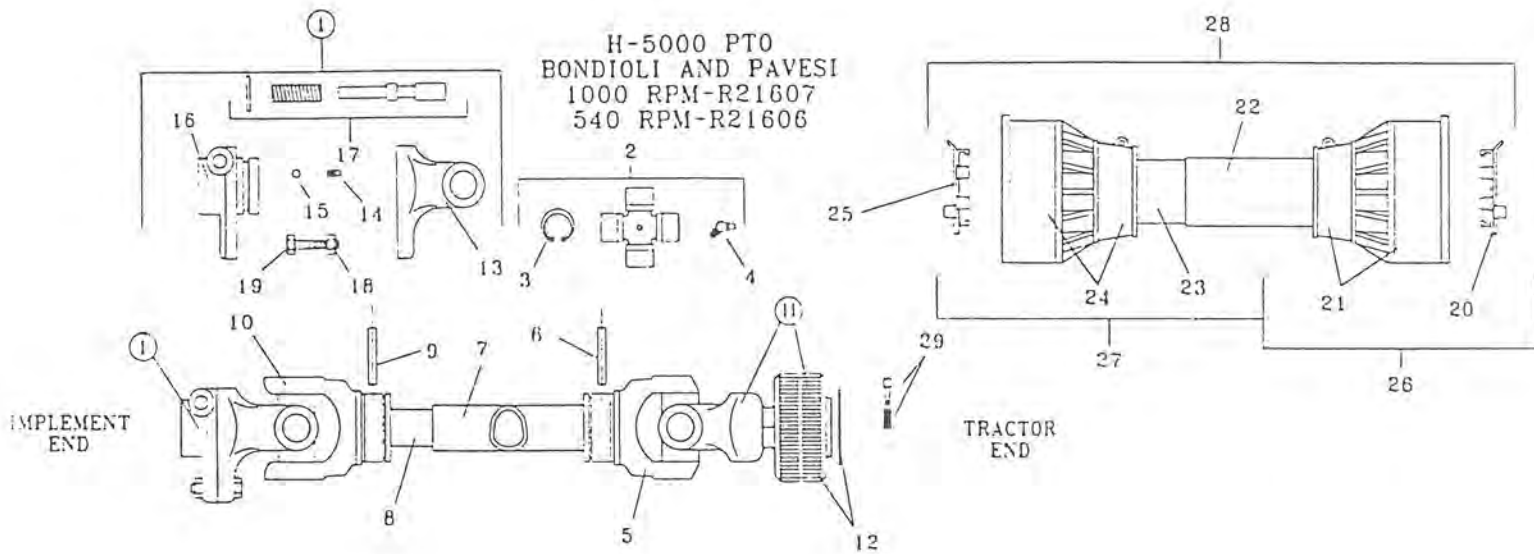
DISCHARGE PIPE

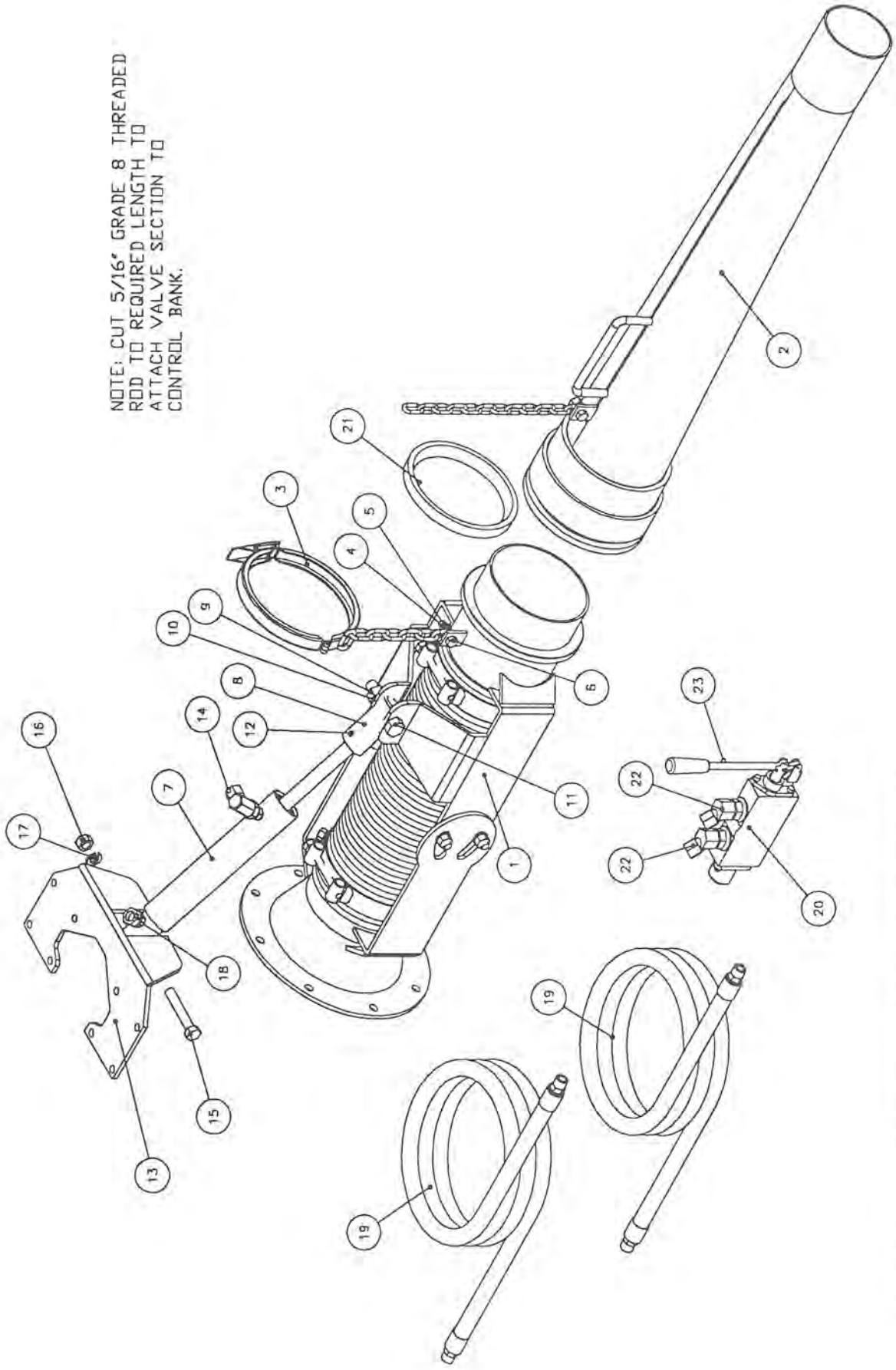
Item	Name	Description	Qty
1	270-42-00-000	20 FT DISCHARGE PIPE ASSY-STD	1
1	270-53-24-000	25 FT DISCHARGE PIPE ASSY	1
2	244-08-00-000	PUMP ELBOW W/RING ASSY	1
2-1	242-28-00-000	PUMP ELBOW ASSY	1
2-2	244-08-00-307	CLAMP RING	1
3	242-00-00-141	8" FLEX HOSE SECTION	1
4	R02484	8" SUPER CLAMP	2
5	R09502	"HUSKY" DECAL	1
6	R09690	"TIE DOWN" DECAL	1
7	R07677	1/4 X 3/4" HEX BOLT	4
8	R07821	1/4" FLAT WASHER	4
9	R07781	1/4" NC HEX NUT	4
10	R07948	5/32" HAIR PIN	2
11	242-33-00-000	BI POD LEG ASSY	2
12	242-79-00-000	BI POD LEG CHAIN ASSY	1
13	244-09-00-000	8" CLAMP AND CHAIN ASSY	1
14	244-11-00-000	20 FT DISCHARGE PIPE KIT	1
14	290-54-00-000	25 FT DISCHARGE PIPE KIT	1

H5000 BODIOLI & PAVESI PTO

Item	Mfg #	Name	Description	Qty
1	606808081	R21639	1 3/4"-27 TOOTH TORQUE LIMITER-540 RPM	1
1	606808106	R21647	1 3/4"-27 TOOTH TORQUE LIMITER-1000 RPM	1
2	41208	R21614	CROSS JOURNAL ASSY	2
3	338023000	R21621	CIRCLIP	8
4	348004000	R21655	GREASE NIPPLE	2
5	204086860	R21620	OUTER TUBE YOKE	1
6	341054000	R21613	FLEXIBLE PIN	1
7	225730823	R21616	CM CARDAN TUBE-OUTER	1
8	225690473	R21615	CM CARDAN TUBE-INNER	1
9	341055000	R21612	FLEXIBLE PIN	1
10	204086861	R21619	INNER TUBE YOKE	1
11	572083751	R21640	1 3/8-21 TOOTH QD YOKE W/SLEEVES	1
11	572080351	R21641	1 3/8-6 TOOTH QD YOKE W/SLEEVES	1
11	572083851	R21644	1 3/4-20 TOOTH QD YOKE W/SLEEVES	1
12	240003551	R21713	R.S. COLLAR KIT	1
13	213080020	R21624	YOKE-540 RPM	0
13	213080053	R22184	YOKE-1000 RPM	1
14	348012000	R21672	5/16" GREASE ZERK	1
15	362006000	R21539	5/16" DIA BALL	24
16	531083901	R21643	HUB C/W QD 1 3/4"-27 TOOTH	0
16	513083955	R22185	HUB C/W QD 1 3/4"-27 TOOTH	1
17	401000034	R21715	PUSH PIN 1 3/4-27 TOOTH	1
18	M12-1.75 X 65	R21602	M12 X 65 HEX BOLT	1
19	M12-1.75	R21604	M12 NY-LOCK NUT	1
20	255080005	R21609	OUTER BEARING 8-9-10	1
21	517080071	R21610	OUTER CONE SETS N8-9	1
22	236850752	R21618	CM OUTER SAFETY TUBE	1
23	236840752	R21617	CM INNER SAFETY TUBE	1
24	517080061	R21611	INNER CONE SETS N8-9	1
25	255080006	R21608	INNER BEARING 8-9-10	1

Item	Mfg #	Name	Description	Qty
26	5NE8101NN	R21627	HALF SAFETY GUARD-OUTER	1
27	5NI8101NN	R21628	HALF SAFETY GUARD-INNER	1
28	5N08101NN	R21629	SAFETY GUARD COMPLETE	1
29	403000001	R21669	PUSH PIN COMPLETE-1 3/8-6 TOOTH	1
29	403000013	R21669	PUSH PIN COMPLETE-1 3/8-21 TOOTH	1
29	403000011	R21735	PUSH PIN COMPLETE-1 3/4-20 TOOTH	1





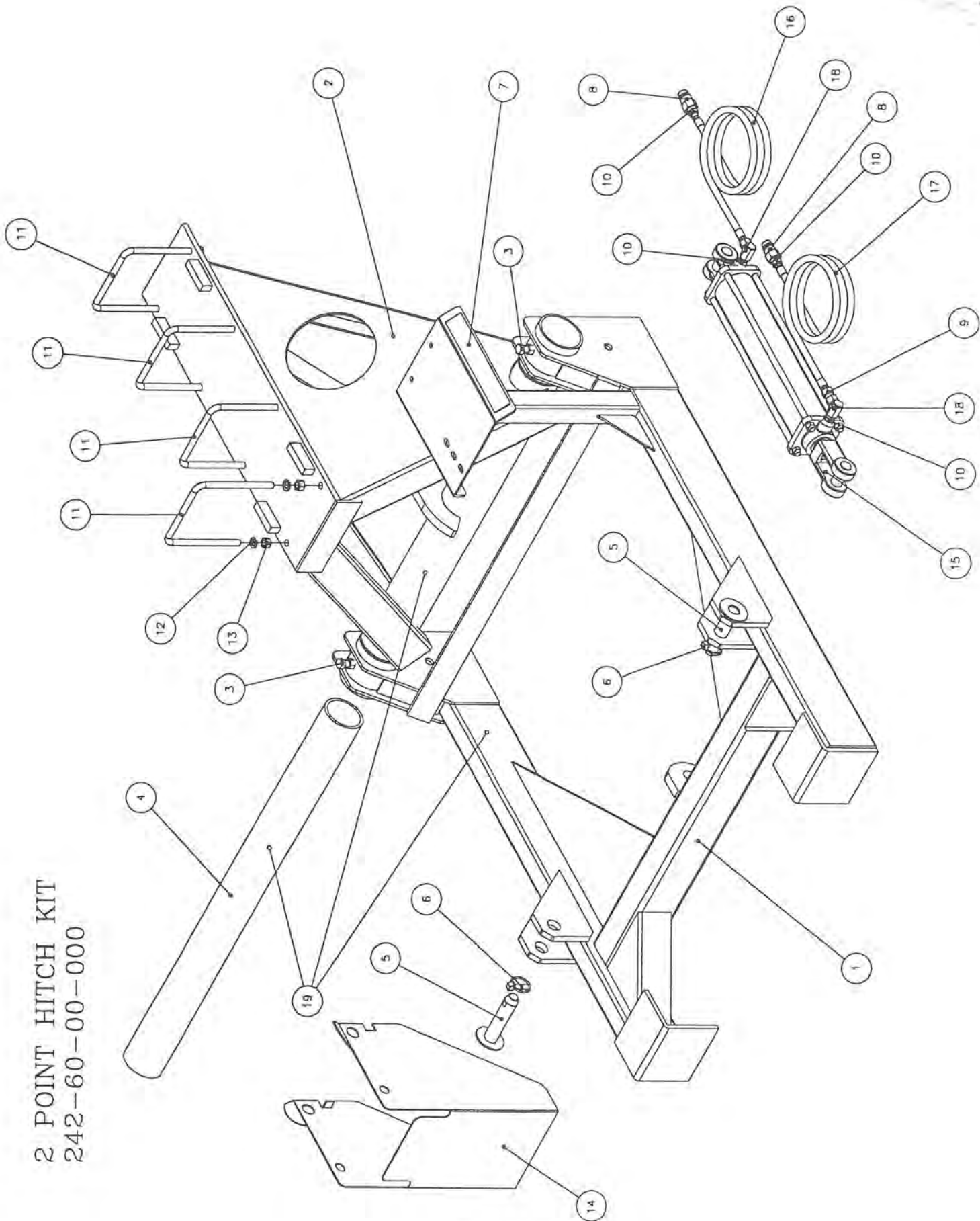
NOTE: CUT 5/16" GRADE 8 THREADED ROD TO REQUIRED LENGTH TO ATTACH VALVE SECTION TO CONTROL BANK.

HYDRAULIC VERTICAL DEFLECTOR
244-12-00-000

HYDRAULIC VERTICAL DEFLECTOR KIT

Item	Name	Description	Qty
1	244-12-08-000	DEFLECTOR MECHANISM ASSY	1
2	244-12-07-000	CONE ASSY	1
3	250-97-00-000	6" CLAMP AND CHAIN ASSY	1
4	R07783	3/8" HEX NUT	1
5	R07803	3/8" LOCK WASHER	1
6	R07675	3/8 X 1 1/4" HEX BOLT	1
7	275-15-00-000	1 1/2" HYDRAULIC CYLINDER	1
8	242-58-00-293	CYLINDER SHAFT LUG	1
9	R07786	5/8" HEX NUT	1
10	R07806	5/8" LOCK WASHER	1
11	R07649	5/8 X 3" HEX BOLT	1
12	R07926	5/16-18 X 1/4" SS SET SCREW	1
13	244-12-06-000	DEFLECTOR VALVE FLANGE ASSY	1
14	R21366	3/8" X 90 STEEL STREET ELBOW	1
15	R07641	1/2 X 3" HEX BOLT	1
16	R07785	1/2" HEX NUT	1
17	R07805	1/2" LOCK WASHER	1
18	R21287	1/4M X 3/8" F STEEL SWIVEL ADAPTOR	1
19	242-35-00-000	HYDRAULIC HOSE ASSY-10FT PUMP	2
19	242-34-00-000	HYDRAULIC HOSE ASSY-12FT PUMP	2
19	244-45-00-000	HYDRAULIC HOSE ASSY-8FT PUMP	2
20	R22135	VALVE WORK SECTION	1
21	R02366	6" RUBBER GASKET	1
22	R20826	3/4-16SAE X 3/8NPT SW ADAPTOR	2
23	R22134	HANDLE KIT	23

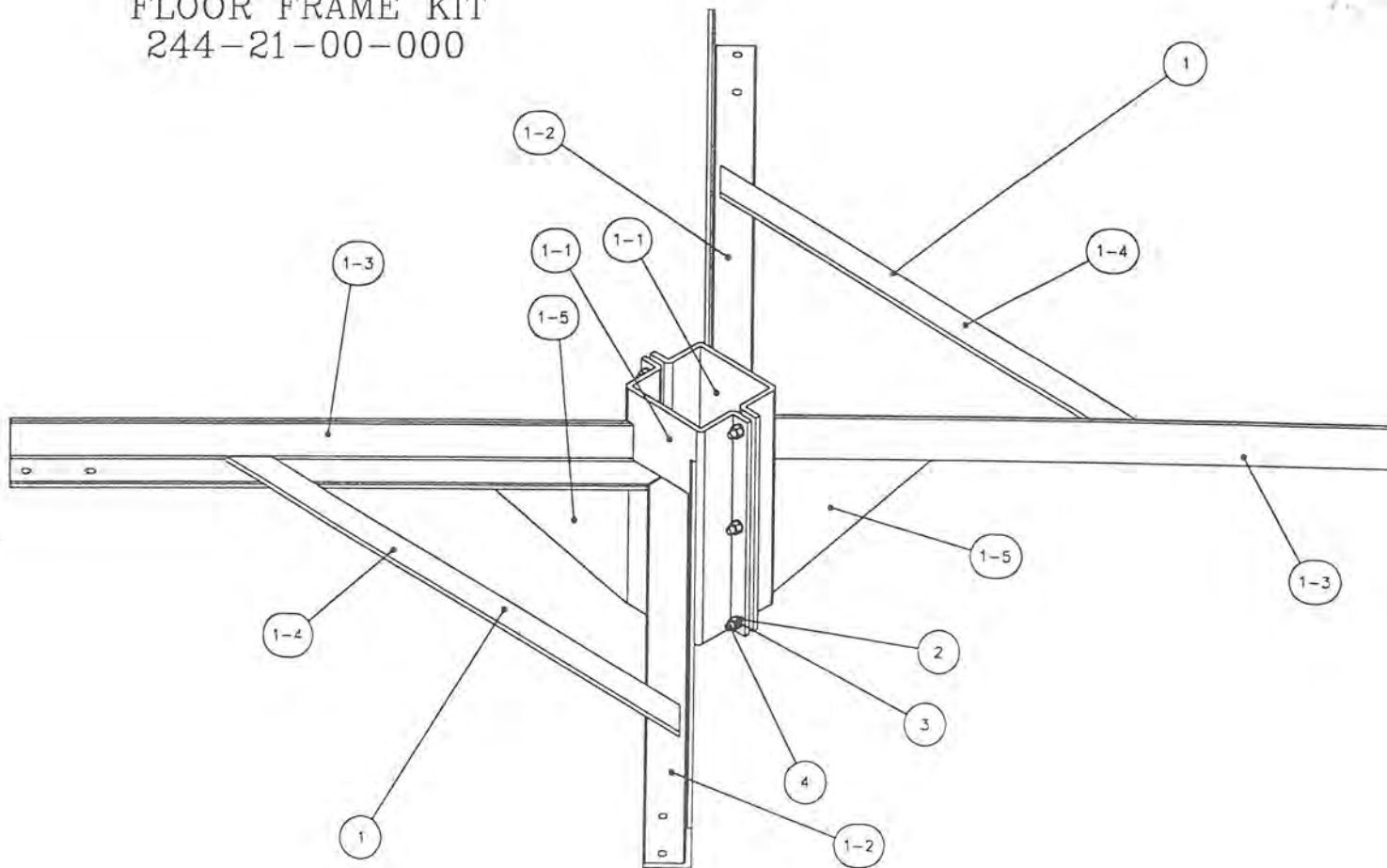
2 POINT HITCH KIT
242-60-00-000



2PT HITCH KIT

Item	Name	Description	Qty
1	242-60-41-000	MAIN FRAME ASSY W/CONTROL STAND	1
2	242-60-35-000	TILT FRAME ASSY	1
3	R07637	1/2-13 UNC X 1" HEX BOLT	2
4	250-87-00-227	INNER AXLE TUBE	1
5	250-87-56-000	HITCH PIN ASSY	2
6	R08040	2-18 LYNCH PIN	2
7	R09673	CONTROL VALVE STICKER	1
8	R21342	1/2" PIONEER TIP	2
9	R21336	3/8-18 NPT RESTRICTOR	1
10	R02043	1/2 X 3/8" BUSHING	4
11	R08173	1/2-13 UNC "U" BOLT	4
12	R07805	1/2" LOCK WASHER	8
13	R07785	1/2"-13 UNC HEX NUT	8
14	242-60-00-271	PTO GUARD	1
15	R20724	4 X 14" HYDRAULIC CYLINDER	1
16	250-87-51-000	HYDRAULIC HOSE ASSY	1
17	250-87-52-000	HYDRAULIC HOSE ASSY	1
18	R21366	1/2 X 90 STR ELBOW	2
19	250-60-55-000	2 POINT HITCH LESS HYDRAULICS & "U" BOLTS	1

FLOOR FRAME KIT
244-21-00-000



FLOOR FRAME KIT			
Item	Name	Description	Qty
1	244-21-01-000	FLOOR FRAME ASSY	2
1-1	244-21-01-419	SHAFT TUBE CLAMP BRKT	2
1-2	244-21-01-418	RH FLOOR FRAME ANGLE	2
1-3	244-21-01-417	LH FLOOR FRAME ANGLE	2
1-4	250-91-55-262	BRACE	2
1-5	244-21-01-420	GUSSET	4
2	R07804	7/16" LOCK WASHER	6
3	R07784	7/16" HEX NUT	6
4	R07629	7/16 X 1 1/2" HEX BOLT	6