

Date Purchased _____ Machine Serial No. _____

Size of Pipe Cart _____ Options _____

The key number system in this parts book is arranged as follows:

- ◎ -- Key numbers with two circles denotes main assemblies.
- -- Key numbers with one circle are individual parts.

Please order parts by part number.



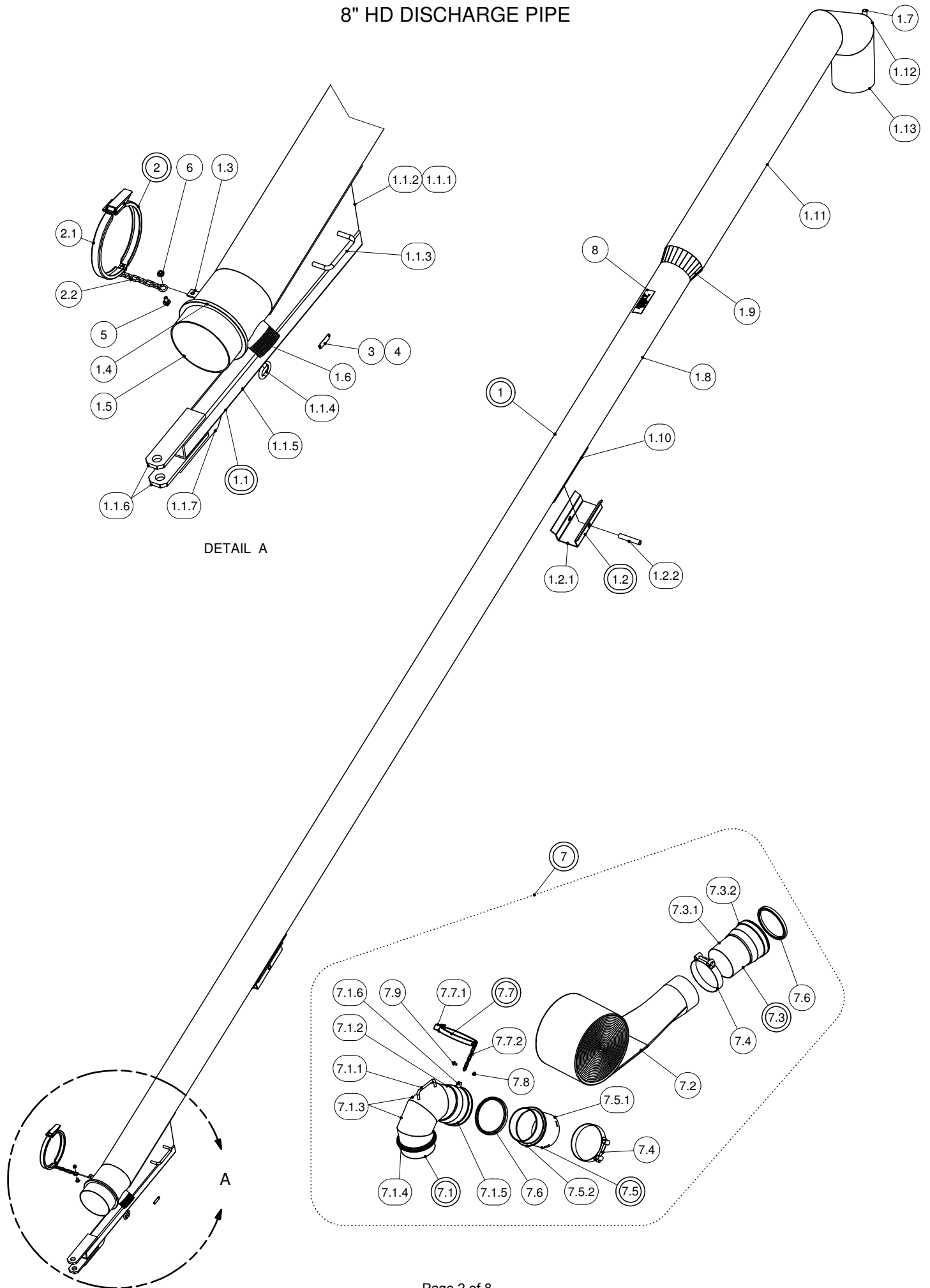
Heavy Duty Pipe Cart

247-00-00-000 8"
245-00-00-000 10"

OPERATING INSTRUCTIONS:

1. Make sure clamps are securely fastened before operating to ensure hose won't blow off during filling
2. Always check tire pressure and wheel bolt torque before towing.
3. When towing lower Pipe all the way down for clearance from overhead power wires
4. Wash Pipe Cart off after each use. This will extend the life of the Pipe.
5. Depending on the amount of Highway travel the wheel bearings shall be greased annually
6. Make sure all manure is drained from pipe prior to freezing conditions

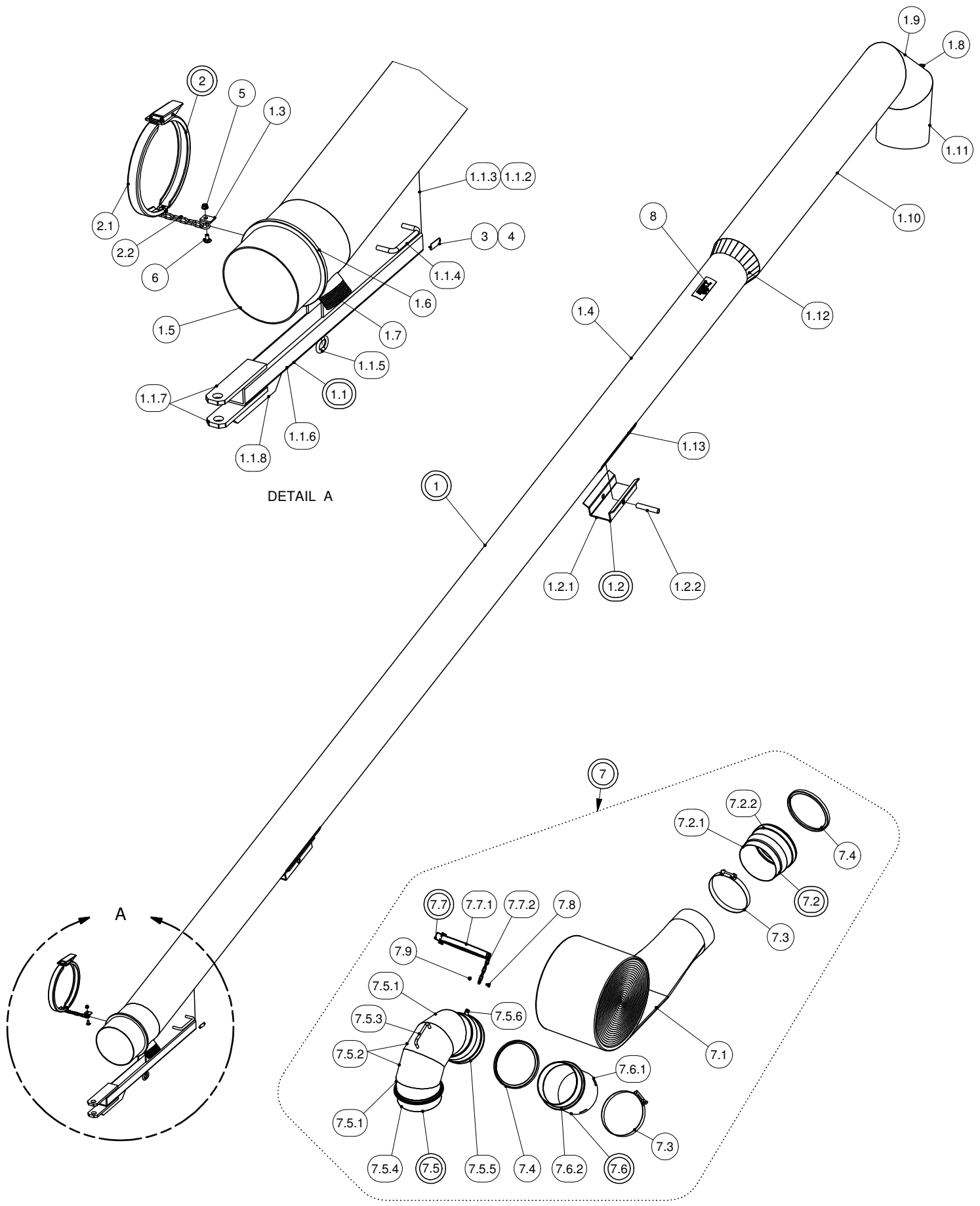
8" HD DISCHARGE PIPE



8" HD DISCHARGE PIPE

PARTS LIST				PARTS LIST			
ITEM	PART NUMBER	DESCRIPTION	QTY	ITEM	PART NUMBER	DESCRIPTION	QTY
1	247-14-00-000	8" TO 10" DISCHARGE PIPE ASSY	1	6	R07794	3/8-16 UNC FLANGE NUT - ZINC	1
				7	248-25-00-000	8" LAYFLAT HOSE W/ENDS KIT	1
1.1	247-02-01-000	TONGUE BRKT ASSY	1	7.1	248-06-00-000	8" - 45° ALUMINUM PUMP ELBOW W/RING ASSY	1
1.1.1	247-02-01-013	RH TONGUE BRKT	1				
1.1.2	247-02-01-014	LH TONGUE BRKT	1	7.1.1	248-24-00-074	ALUMINUM HANDLE	1
1.1.3	244-12-03-341	CONE HANDLE	2	7.1.2	248-06-00-024	ELBOW PC - A	2
1.1.4	247-02-01-015	3/8" COIL CHAIN LINK	1	7.1.3	248-06-00-078	ELBOW PC - B	2
1.1.5	247-04-00-024	TONGUE TUBE	1	7.1.4	R02989	8" CIRCLE LOCK, MALE ITHPM800	1
1.1.6	247-04-00-025	HITCH PLATE	2				
1.1.7	247-04-00-026	REINFORCING PLATE	1	7.1.5	R02982	8" RW COUPLER-NARROW	1
1.2	247-02-02-000	PIVOT BRKT ASSY-8" PIPE	2	7.1.6	248-05-00-036	CHAIN LUG	1
1.2.1	247-02-02-016	PIVOT BRKT-8" PIPE	1	7.2	248-00-00-021	8" PVC LAYFLAT HOSE	1
1.2.2	247-02-02-017	PIVOT BRKT SLEEVE	1	7.3	248-14-00-000	BELL AND DISCHARGE PIPE ASSY	1
1.3	250-96-00-298	CHAIN LUG	1				
1.4	244-08-00-307	CLAMP RING	1	7.3.1	248-14-00-034	8" EXTENSION PIPE	1
1.5	247-02-03-021	PIPE BASE PC	1	7.3.2	R02982	8" RW COUPLER-NARROW	1
1.6	R02099	3" TOE PIPE NIPPLE	1	7.4	R02484	8" SUCTION HOSE CLAMP	2
1.7	247-02-00-050	FLAG PIN HOLDER	1	7.5	248-17-00-000	8"ALUMINUM EXT PIPE W/RING ASSY	1
1.8	247-14-00-055	LOWER 8" DISCHARGE PIPE	1				
1.9	247-14-00-056	8" TO 10" CONE	2	7.5.1	248-17-00-051	8" ALUMINUM EXTENSION PIPE	1
1.10	247-14-00-060	8" PIVOT BRKT SUPPORT	2	7.5.2	R02989	8" CIRCLE LOCK, MALE ITHPM800	1
1.11	247-14-00-061	10" PIPE "A"	1				
1.12	247-14-00-062	10" PIPE "B"	1	7.6	R02360	8" SQ HUSKY GASKET	2
1.13	247-14-00-063	10" PIPE "C"	1	7.7	244-09-00-000	8" CLAMP & CHAIN ASSY	1
2	244-09-00-000	8" CLAMP & CHAIN ASSY	1	7.7.1	R02488	8" RINGLOCK CLAMP	1
2.1	R02488	8" RINGLOCK CLAMP	1	7.7.2	250-97-00-297	CLAMP CHAIN	1
2.2	250-97-00-297	CLAMP CHAIN	1	7.8	R07794	3/8-16 UNC FLANGE NUT - ZINC	1
3	R09071	SERIAL NUMBER PLATE	1	7.9	R07776	3/8-16 UNC x 0.75 CARRIAGE BOLT Gr.5	1
4	R08152	6 x 1/4 PAN HD SOCKET SCREW	2				
5	R07776	3/8-16 UNC x 0.75 CARRIAGE BOLT Gr.5	1	8	R09502	"HUSKY" DECAL	1

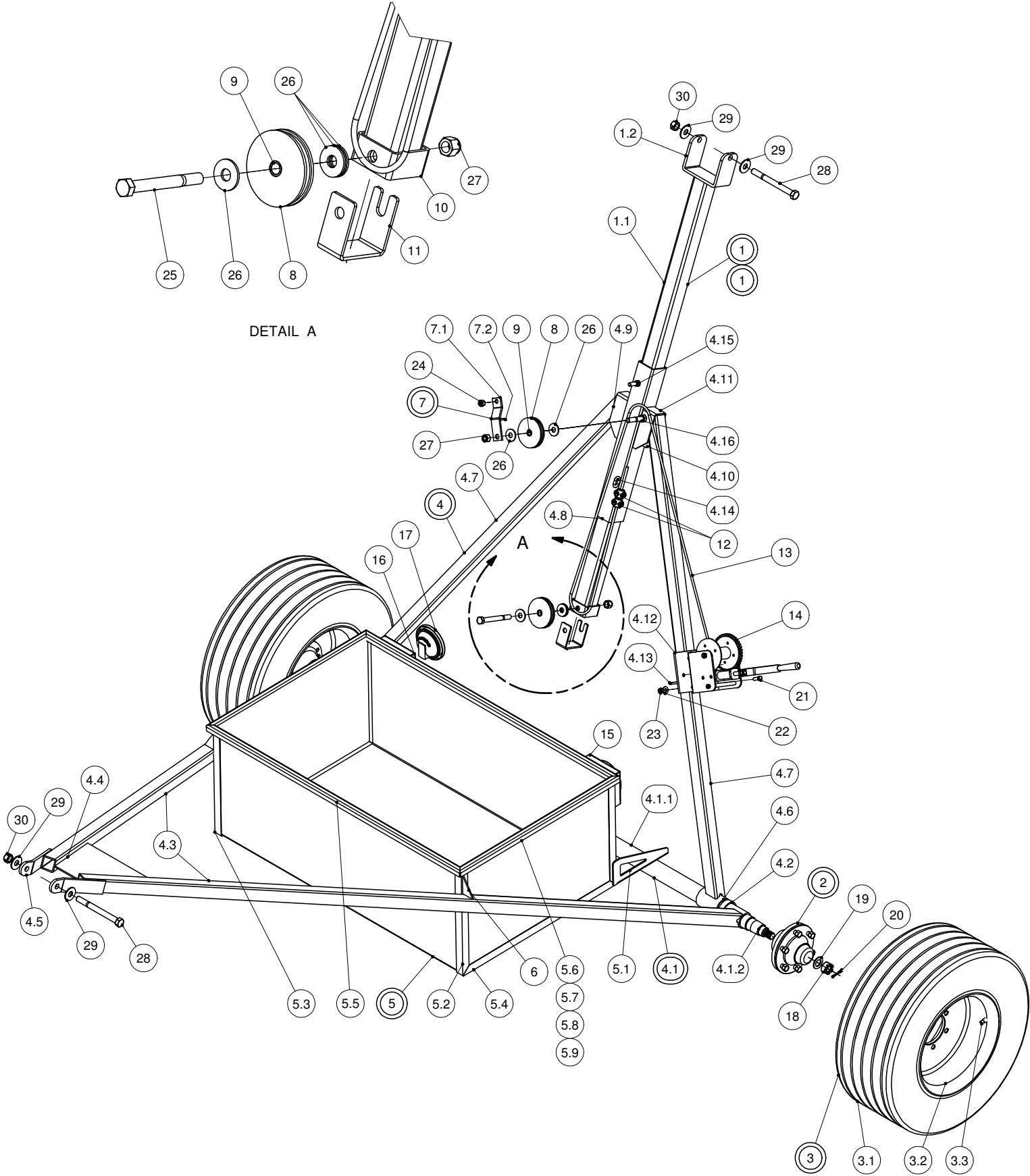
10" HD DISCHARGE PIPE



10" HD DISCHARGE PIPE

PARTS LIST				PARTS LIST			
ITEM	PART NUMBER	DESCRIPTION	QTY	ITEM	PART NUMBER	DESCRIPTION	QTY
1	245-02-00-000	10" TO 12" DISCH PIPE ASSY COMPLETE	1	4	R08152	6 x 1/4 PAN HD SOCKET SCREW	2
1.1	247-02-01-000	TONGUE BRKT ASSY	1	5	R07794	3/8-16 UNC FLANGE NUT - ZINC	1
1.1.2	247-02-01-013	RH TONGUE BRKT	1	6	R07776	3/8-16 UNC x 0.75 CARRIAGE BOLT Gr.5	1
1.1.3	247-02-01-014	LH TONGUE BRKT	1	7	248-26-00-000	10" LAYFLAT HOSE W/ENDS KIT	1
1.1.4	244-12-03-341	CONE HANDLE	2	7.1	248-00-00-031	10" PVC LAYFLAT HOSE	1
1.1.5	247-02-01-015	3/8" COIL CHAIN LINK	1	7.2	248-15-00-000	10" BELL AND EXTENSION PIPE ASSY	1
1.1.6	247-04-00-024	TONGUE TUBE	1	7.2.1	248-15-00-035	10" EXTENSION PIPE	1
1.1.7	247-04-00-025	HITCH PLATE	2	7.2.2	R02983	10" RW COUPLER-NARROW	1
1.1.8	247-04-00-026	REINFORCING PLATE	1	7.3	R02492	10" SUPER CLAMP	2
1.2	245-01-02-000	10" PIVOT BRKT ASSY	2	7.4	R02849	10" RW GASKET	2
1.2.1	245-01-02-005	PIVOT BRKT-10" PIPE	1	7.5	248-24-00-000	10" ALUMINUM ELBOW @ 44° ANGLE	1
1.2.2	247-02-02-017	PIVOT BRKT SLEEVE	1	7.5.1	248-24-00-071	ALUMINUM ELBOW BASE PC-10"	2
1.3	250-96-00-298	CHAIN LUG	1	7.5.2	248-24-00-072	ALUMINUM ELBOW MIDD PC-10"	3
1.4	245-02-00-012	10" LONG DISCHARGE PIPE	1	7.5.3	248-24-00-074	ALUMINUM HANDLE	1
1.5	245-01-01-004	PIPE BASE PC	1	7.5.4	R02990	10" CIRCLE LOCK, MALE ITHPM1000	1
1.6	286-00-00-059	RING FOR STEEL ELBOW	1	7.5.5	R02983	10" RW COUPLER-NARROW	1
1.7	R02099	3" TOE PIPE NIPPLE	1	7.5.6	248-05-00-036	CHAIN LUG	1
1.8	247-02-00-050	FLAG PIN HOLDER	1	7.6	248-19-00-000	10" MALE CONNECTOR PIPE ASSY (ALUM.)	1
1.9	245-02-00-009	12" PIPE "B"	1	7.6.1	248-19-00-053	10" MALE CONNECTOR PIPE	1
1.10	245-02-00-008	12" PIPE "A"	1	7.6.2	R02990	10" CIRCLE LOCK, MALE ITHPM1000	1
1.11	245-02-00-010	12" PIPE "C"	1	7.7	286-13-00-000	10" CLAMP AND CHAIN ASSY	1
1.12	245-02-00-011	10" TO 12" CONE HALF	2	7.7.1	R02500	10" BANDLOC CLAMP	1
1.13	245-02-00-020	10" PIVOT BRKT SUPPORT	2	7.7.2	250-97-00-297	CLAMP CHAIN	1
2	286-13-00-000	10" CLAMP AND CHAIN ASSY	1	7.8	R07776	3/8-16 UNC x 0.75 CARRIAGE BOLT Gr.5	1
2.1	R02500	10" BANDLOC CLAMP	1	7.9	R07794	3/8-16 UNC FLANGE NUT - ZINC	1
2.2	250-97-00-297	CLAMP CHAIN	1	8	R09502	"HUSKY" DECAL	1
3	R09071	SERIAL NUMBER PLATE	1				

HD PIPE CART FRAME

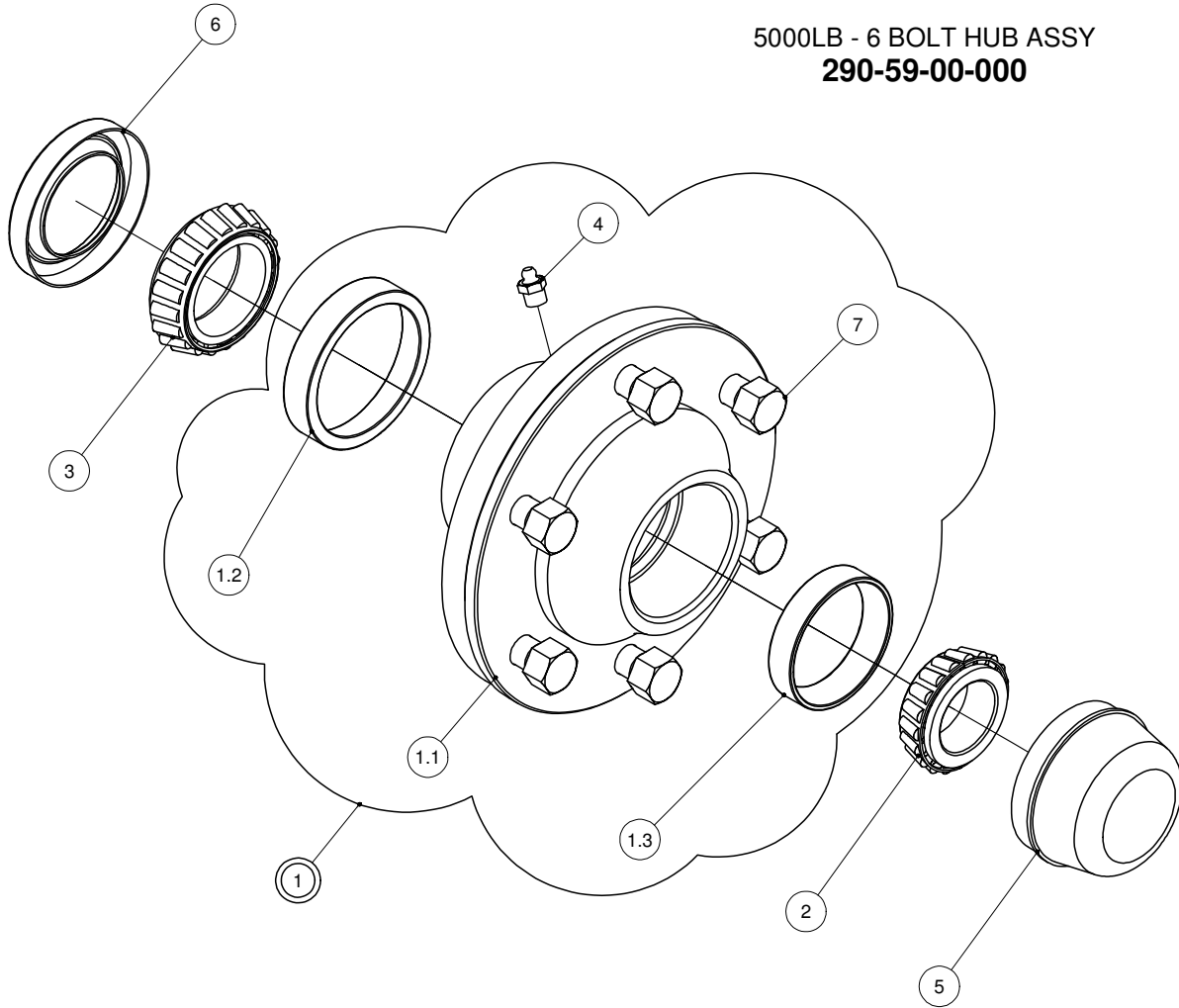


HD PIPE CART FRAME

PARTS LIST				PARTS LIST			
ITEM	PART NUMBE	DESCRIPTION	QTY	ITEM	PART NUMBE	DESCRIPTION	QTY
1	247-03-00-000	EXTENSION TUBE ASSY	1	5.5	247-11-00-044	TOP FRONT AND REAR CHANNEL	2
1.1	247-03-00-022	EXTENSION TUBE	1	5.6	247-11-00-045	TOP RH AND LH CHANNEL	2
1.2	247-03-00-023	EXT TUBE "U" BRKT	1	5.7	247-11-00-039	CAGE "U" PC	1
2	290-59-00-000	5000LB - 6 BOLT HUB ASSY	2	5.8	247-11-00-053	LH CAGE BRKT	1
3	247-07-00-000	TIRE & WHEEL ASSY P275/60R15	2	5.9	247-11-00-054	RH CAGE BRKT	1
3.1	R22560	P275 60R15 PASSENGER TIRE	1	6	247-11-00-046	CAGE GUSSET	2
3.2	R20045	15 x 8 x 6 BOLT WHEEL	1	7	247-10-00-000	PULLEY BRKT ASSY	1
3.3	R20020	VALVE STEM	1	7.1	247-10-00-028	PULLEY BRKT	1
4	247-01-00-000	MAIN FRAME ASSY	1	7.2	247-10-00-037	PULLEY BRKT "L" PLATE	1
4.1	247-01-01-000	AXLE TUBE W/SPINDLES ASSY	1	8	247-00-00-027	PULLEY	2
4.1.1	247-01-01-001	CROSS TUBE	1	9	R21167	7/8 OD x 5/8 ID x 3/4 LONG BUSHING	2
4.1.2	247-01-01-033	SPINDLE	2	10	247-05-00-029	CABLE BRKT TUBE	1
4.2	247-01-00-002	STOP TUBE	2	11	245-00-00-019	CABLE RETAINER BRKT	1
4.3	247-01-00-003	OUTER ARM	2	12	R08072	5/16 CABLE CLAMP	2
4.4	247-01-00-004	GUSSET	1	13	247-00-00-035	5/16" WINCH CABLE	1
4.5	247-01-00-005	TUBE BRKT	2	14	R10350	1 TON WORM GEAR WINCH	1
4.6	247-01-00-006	SLEEVE	2	15	247-12-00-048	RH LITE BOX	1
4.7	247-01-00-007	INNER ARM	2	16	247-12-00-049	LH LITE BOX	1
4.8	247-01-00-008	STUB TUBE	1	17	R10087	RED LIGHT KIT	2
4.9	247-01-00-009	INNER ARM L.H. CAP	1	18	R20117	SPINDLE NUT	2
4.10	247-01-00-011	LOWER INNER ARM CAP	2	19	R20154	SPINDLE WASHER	2
4.11	247-01-00-010	INNER ARM R.H. CAP	1	20	R08011	3/16 x 1 1/2 COTTER PIN - ZINC	2
4.12	247-01-00-031	WINCH BRKT	1	21	R07619	3/8-16 UNC x 1 HEX BOLT GR.5	3
4.13	247-01-00-030	WINCH BRKT GUSSET	1	22	R07823	3/8 FLAT WASHER STD - ZINC	3
4.14	247-05-00-032	CABLE ATTACHMENT LINK	1	23	R07794	3/8-16 UNC FLANGE NUT - ZINC	3
4.15	R07638	1/2-13 UNC x 1.5 HEX BOLT GR.5	1	24	R08219	1/2-13 UNC NYLOCK NUT - ZINC	1
4.16	R07649	5/8-11 UNC x 3 HEX BOLT GR.5	1	25	R07653	5/8-11 UNC x 6 HEX BOLT GR.5	1
5	247-11-00-000	PIPE CART CAGE	1	26	R07826	5/8 FLAT WASHER STD - ZINC	6
5.1	247-11-00-040	CAGE END PC	2	27	R08180	5/8-11 UNC NYLOCK NUT - ZINC	2
5.2	247-11-00-041	RH CORNER ANGLE	2	28	R08336	3/4-10 UNC x 8 HEX BOLT GR.5	2
5.3	247-11-00-042	LH CORNER ANGLE	2	29	R07827	3/4 FLAT WASHER STD - ZINC	4
5.4	247-11-00-043	END BOTTOM ANGLE	2	30	R07881	3/4-10 UNC 2-WAY LOCK NUT - ZINC	2

5000LB 6 BOLT HUB ASSY

5000LB - 6 BOLT HUB ASSY
290-59-00-000



PARTS LIST			
ITEM	PART NUMBER	DESCRIPTION	QTY
1	R22055	5000LB HUB w/ CUPS	1
1.1	R22054	5000LB HUB - 6 BOLT	1
1.2	R22058	INNER CUP LM603011	1
1.3	R22060	OUTER CUP LM48510	1
2	R22061	OUTER CONE LM48548	1
3	R22059	INNER CONE LM603049	1
4	R08186	1/8" NPT GREASE FTG	1
5	R22062	DUST CAP	1
6	R22063	SEAL CR2004	1
7	R20110	9/16 UNF WHEEL BOLT	6