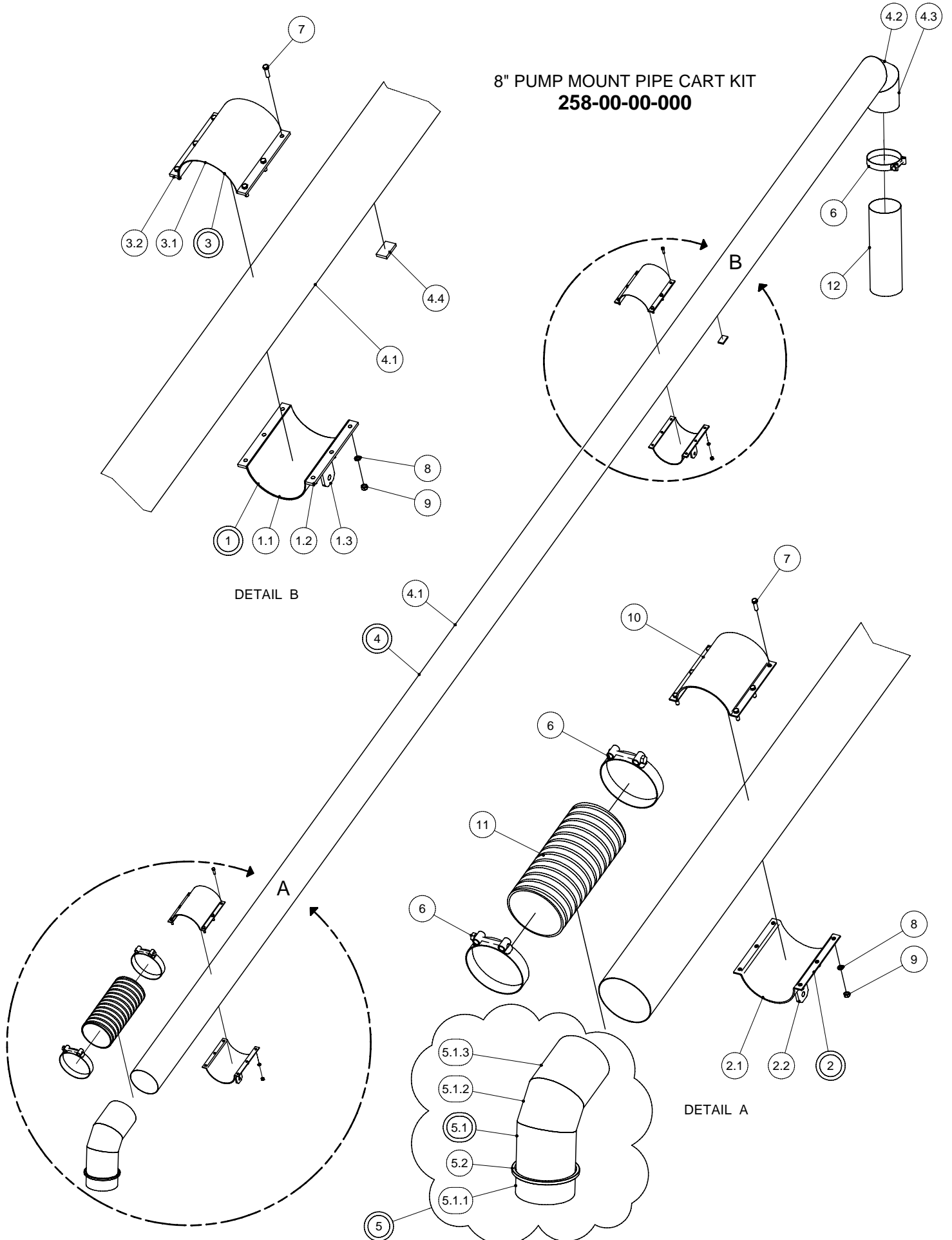




# 8" PUMP MOUNT DISCHARGE PIPE

8" PUMP MOUNT PIPE CART KIT  
258-00-00-000



## 8" PUMP MOUNT DISCHARGE PIPE

PARTS LIST			
ITEM	PART NUMBER	DESCRIPTION	QTY
1	248-04-00-000	UPPER PIPE SLIDING CLAMP ASSY	1
1.1	248-04-01-018	UPPER CLAMP TUBE	1
1.2	248-04-01-019	UPPER CLAMP BOLT PLATE	2
1.3	248-03-00-017	UPPER CLAMP PIVOT BRKT	2
2	258-01-00-000	LOWER PIPE CLAMP ASSY	1
2.1	242-00-00-221	CONE CLAMP ON BRKT	1
2.2	248-03-00-017	UPPER CLAMP PIVOT BRKT	2
3	248-04-01-000	UPPER PIPE SLIDING CLAMP ASSY	1
3.1	248-04-01-018	UPPER CLAMP TUBE	1
3.2	248-04-01-019	UPPER CLAMP BOLT PLATE	2
4	258-02-00-000	8" DISCHARGE PIPE ASSY	1
4.1	258-02-00-001	8" ALUMINUM DISCHARGE TUBE	1
4.2	258-02-00-002	DISCHARGE PIPE ELBOW PC	1
4.3	258-02-00-003	DISCHARGE PIPE END PC	1
4.4	248-05-00-038	STOP LUG	1
5	244-08-00-000	PUMP ELBOW w/ RING ASSY	1
5.1	242-28-00-000	PUMP ELBOW ASSY	1
5.1.1	242-28-00-138	PUMP ELBOW BASE SECTION	1
5.1.2	242-28-00-139	PUMP ELBOW MIDDLE SECTION	1
5.1.3	242-28-00-140	PUMP ELBOW UPPER SECTION	1
5.2	244-08-00-307	CLAMP RING	1
6	R02484	8" SUCTION HOSE CLAMP	3
7	R07629	7/16 x 1 1/2 UNC HEX BOLT	12
8	R07804	7/16" LOCK WASHER	12
9	R07784	7/16-14 UNC HEX NUT	12
10	242-00-00-221	CONE CLAMP ON BRKT	1
11	242-00-00-141	FLEXIBLE HOSE SECTION	1
12	248-00-00-069	8" DISCHARGE PIPE FLEX HOSE	1



# 10" PUMP MOUNT DISCHARGE PIPE

PARTS LIST			
ITEM	PART NUMBER	DESCRIPTION	QTY
1	257-02-00-000	LOWER CLAMP ASSY	1
1.1	248-08-01-000	LOWER OUTER CLAMP ASSY	1
1.1.1	248-08-01-025	10" LOWER CLAMP PC	1
1.1.2	248-04-01-019	UPPER CLAMP BOLT PLATE	2
1.2	248-03-00-017	UPPER CLAMP PIVOT BRKT	2
2	248-09-00-000	UPPER INNER CLAMP ASSY	1
2.1	248-09-01-000	UPPER OUTER CLAMP ASSY	1
2.1.1	248-09-01-026	UPPER CLAMP HALF TUBE - 10"	1
2.1.2	248-04-01-019	UPPER CLAMP BOLT PLATE	2
2.2	248-03-00-017	UPPER CLAMP PIVOT BRKT	2
3	257-03-00-000	DISCHARGE PIPE ASSY-10"	1
3.1	257-03-00-010	DISCHARGE TUBE	1
3.2	257-03-00-011	DISCHARGE PIPE ELBOW PC	1
3.3	257-03-00-012	DISCHARGE PIPE END PC	1
3.4	248-05-00-038	STOP LUG	1
4	R02492	10" SUPER CLAMP	3
5	248-08-01-000	LOWER OUTER CLAMP ASSY	1
5.1	248-08-01-025	10" LOWER CLAMP PC	1
5.2	248-04-01-019	UPPER CLAMP BOLT PLATE	2
6	248-09-01-000	UPPER OUTER CLAMP ASSY	1
6.1	248-09-01-026	UPPER CLAMP HALF TUBE - 10"	1
6.2	248-04-01-019	UPPER CLAMP BOLT PLATE	2
7	286-10-02-000	10" ALUMINUM PUMP ELBOW ASSY	1
7.1	286-10-02-044	10" ALUMINUM PIPE ELBOW	1
7.1.1	286-10-02-044-A	ALUMINUM PIPE ELBOW OUTER PC	2
7.1.2	286-10-02-044-B	ALUMINUM PIPE ELBOW MIDDLE PC	1
7.2	R02504	10 ALUM. BANDLOCK RING	1
8	286-10-00-047	10" FLEX HOSE	1
9	248-00-00-070	10" FLEX HOSE FOR TOP OF PIPE CART	1
10	R07629	7/16 x 1 1/2 UNC HEX BOLT	6
11	R07804	7/16" LOCK WASHER	12
12	R07784	7/16-14 UNC HEX NUT	12
13	R07630	7/16 x 2 UNC HEX BOLT	6





