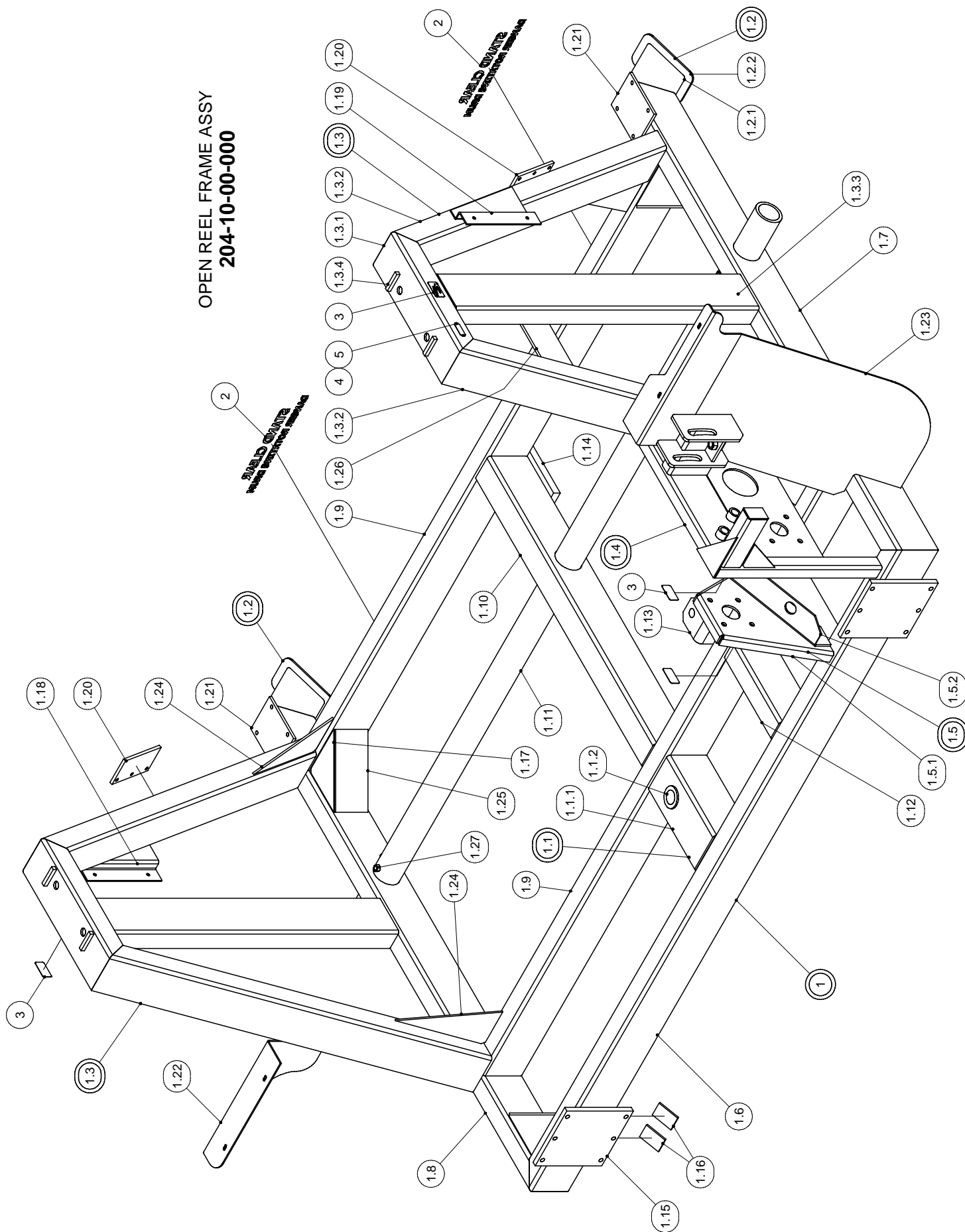


OPEN REEL FRAME ASSY

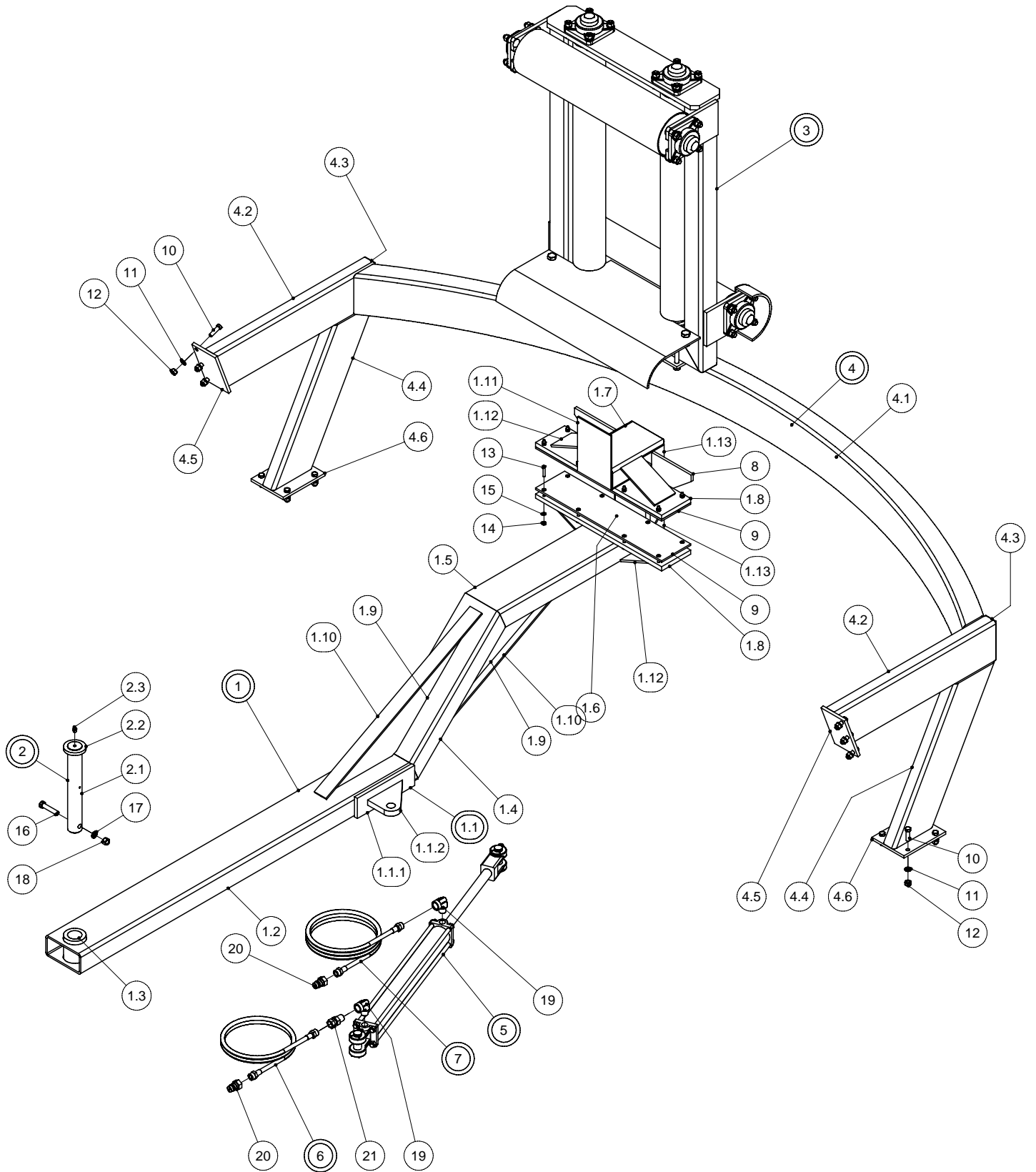
OPEN REEL FRAME ASSY
204-10-00-000



OPEN REEL FRAME ASSY

PARTS LIST			
ITEM	PART NUMBER	DESCRIPTION	QTY
1	204-10-00-000	HD FRAME ASSY-2005	1
1.1	204-01-09-000	SPACER TUBE W/SLEEVE ASSY	1
1.1.1	204-01-00-007	CENTER SPACER TUBE	1
1.1.2	200-03-00-018	PIVOT SLEEVE	1
1.2	204-10-01-000	FOOT ASSY	2
1.2.1	204-10-01-084	FRAME ANGLE PC	1
1.2.2	204-10-01-085	FOOT	1
1.3	204-10-05-000	FRAME SIDE ASSY	2
1.3.1	204-10-05-120	TOP TUBE-2 1/2" PB BRG	1
1.3.2	204-10-00-081	ANGLE TUBE	2
1.3.3	204-10-00-083	VERTICAL SUPPORT TUBE	1
1.3.4	204-10-05-119	BRG STOP BLOCK	2
1.4	200-39-11-000	SIDE DRIVE FRAME ASSY	1
1.5	200-39-10-000	FLANGE BEARING HOLDER ASSY	1
1.5.1	200-39-10-287	FLANGE BRG MOUNT PLATE	1
1.5.2	200-39-02-234	BRAKE BASE PLATE	1
1.6	204-10-00-077	FRAME FRONT	1
1.7	204-10-00-075	LH FRAME SIDE	1
1.8	204-10-00-076	RH FRAME SIDE	1
1.9	204-10-00-078	FRAME CROSS BEAM	2
1.10	204-10-00-080	CENTER BEAM	1
1.11	204-10-00-079	AXLE TUBE	1
1.12	204-01-00-038	SUPPORT TUBE	1
1.13	204-01-00-006	CYLINDER LUG	1
1.14	204-01-00-005	REAR HITCH PLATE	1
1.15	204-01-00-001	TONGUE BOLT PLATE	2
1.16	204-10-00-115	BOLT PLATE GUSSET	4
1.17	200-24-00-215	FRAME GUSSET	7
1.18	204-10-00-087	TOOL BOX BRKT-UPPER RH	1
1.19	204-10-00-086	TOOL BOX BRKT-UPPER LH	1
1.20	204-10-00-090	UPPER CONNECTOR BRKT	2
1.21	204-10-00-091	LOWER CONNECTOR PLATE	2
1.22	204-10-00-089	TOOL BOX BRKT-LOWER RH	1
1.23	204-10-00-088	TOOL BOX BRKT-LOWER LH	1
1.24	200-41-00-283	VERTICAL CORNER GUSSET	4
1.25	200-41-00-284	FILLER CAP	3
1.26	204-10-00-126	IDLER MOUNT PLATE	1
1.27	R07785	1/2-13 UNC HEX NUT	4
2	R09654	"STAND CLEAR" DECAL	2
3	R09582	GREASE SYMBOL DECAL	4
4	R09071	SERIAL NUMBER PLATE	1
5	R08152	6 x 1/4 PAN HD SOCKET SCREW	2

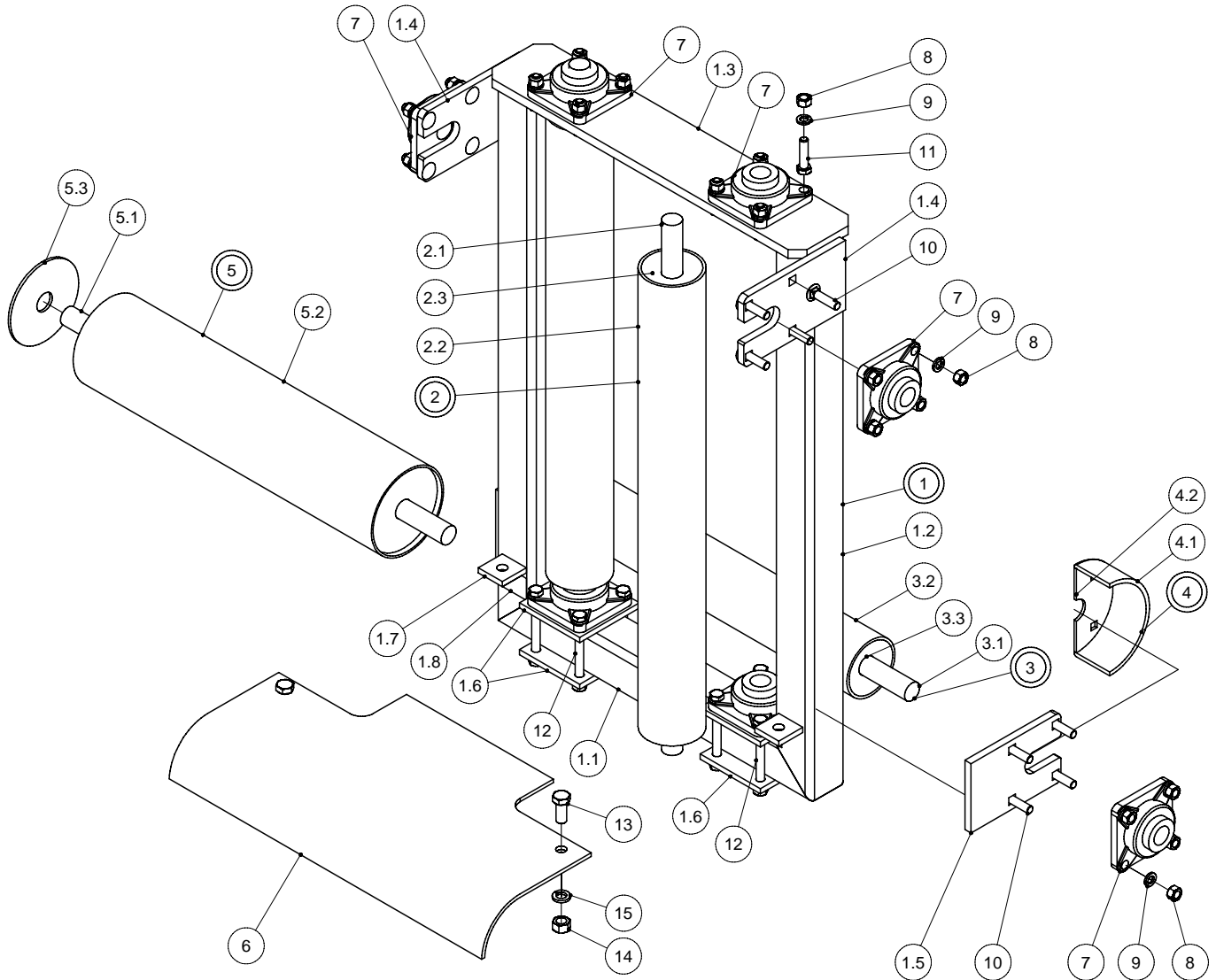
REEL SWING BOOM



REEL SWING BOOM

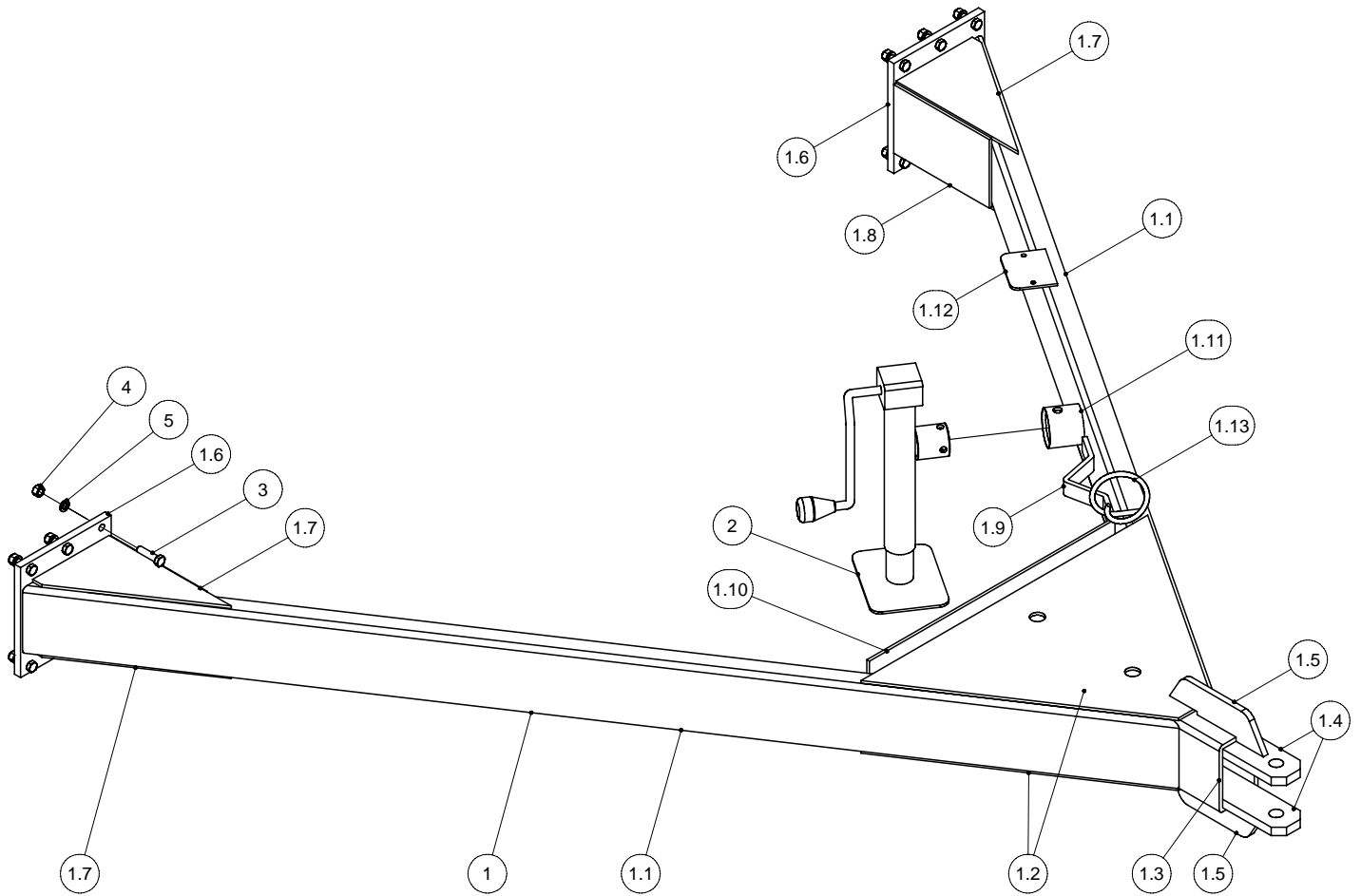
PARTS LIST			
ITEM	PART NUMBER	DESCRIPTION	QTY
1	204-03-01-000	SWING ARM ASSY	1
1.1	204-03-02-000	CYLINDER LUG ASSY	1
1.1.1	204-03-02-025	LUG BACK PLATE	1
1.1.2	368-54-00-295	CYLINDER BRKT	1
1.2	204-03-01-014	MAIN PIVOT ARM	1
1.3	204-03-01-017	PIVOT TUBE SLEEVE	1
1.4	204-03-01-015	ANGLE TUBE	1
1.5	204-03-01-016	HORIZONTAL TUBE	1
1.6	204-03-01-018	VERTICAL TUBE	1
1.7	204-03-01-019	TOP TUBE	1
1.8	204-03-01-020	SUPPORT PLATE	2
1.9	204-03-01-023	LARGE GUSSET	2
1.10	204-03-01-024	BAR	2
1.11	204-03-01-022	TUBE CAP	1
1.12	204-03-01-113	WEAR PLATE SUPPORT	4
1.13	204-03-01-112	CORNER GUSSET	4
2	204-04-00-000	HINGE PIN ASSY	1
2.1	204-04-00-037	HINGE PIN	1
2.2	200-09-00-043	TONGUE PIN WASHER	1
2.3	R08186	1/8" NPT GREASE FTG	1
3	204-03-07-000	HOSE ROLLER ASSY COMPLETE	1
4	204-11-00-000	SUPPORT FRAME-2002	1
4.1	204-11-00-099	RADIUS TUBE	1
4.2	204-11-00-100	HORIZONTAL BRACE	2
4.3	204-02-00-013	CAP	2
4.4	204-11-00-101	LEG	2
4.5	204-10-00-090	UPPER CONNECTOR BRKT	2
4.6	204-10-00-091	LOWER CONNECTOR PLATE	2
5	R20732	2 x 20 HYDRAULIC CYLINDER	1
6	204-17-00-000	1/4" HYDRAULIC HOSE ASSY - BOOM CYL	1
7	204-18-00-000	1/4" HYDRAULIC HOSE ASSY - BOOM CYL	1
8	204-03-01-021	SUPPORT PLATE GUSSET	2
9	204-03-00-036	UHMW WEAR PLATE	2
10	R07629	7/16 x 1 1/2 UNC HEX BOLT	14
11	R07804	7/16" LOCK WASHER	14
12	R07784	7/16-14 UNC HEX NUT	14
13	R08158	1/4 x 1 1/2" FLAT HEAD MACHINE SCREW	16
14	R07781	1/4-20 UNC HEX NUT	16
15	R07801	1/4" LOCK WASHER	16
16	R07640	1/2 x 2 1/2 UNC HEX BOLT	1
17	R07805	1/2" LOCK WASHER	1
18	R07785	1/2-13 UNC HEX NUT	1
19	R21367	1/2 X 90 HYD ELBOW	2
20	R21342	1/2" MALE PIONEER TIP	2
21	R22166	1/2" NPT RESTRICTOR	1

HOSE ROLLER COMPLETE



PARTS LIST				PARTS LIST			
ITEM	PART NUMBER	DESCRIPTION	QTY	ITEM	PART NUMBER	DESCRIPTION	QTY
1	204-03-04-000	ROLLER FRAME ASSY	1	4	204-03-11-000	BEARING COVER ASSY	2
1.1	204-03-04-029	LOWER TUBE	1	4.1	204-03-11-108	BEARING GUARD	1
1.2	204-03-04-026	SIDE TUBE	2	4.2	204-03-11-109	BRG GUARD BOLT PLATE	1
1.3	204-03-04-028	TOP PLATE	1	5	204-03-10-000	6" UPPER HOR. ROLLER ASSY	1
1.4	204-03-04-106	UPPER BEARING HOLDER	2	5.1	204-03-09-096	SHORT ROLLER SHAFT	1
1.5	204-03-04-027	BEARING HOLDER	2	5.2	204-03-10-104	6" UPPER ROLLER	1
1.6	204-03-04-030	BEARING SUPPORT	4	5.3	204-03-10-105	6" ROLLER CAP	2
1.7	204-03-04-110	HOSE GUIDE BRKT	2	6	204-03-00-107	HOSE GUIDE	1
1.8	204-03-04-111	GUSSET	2	7	R20184	1 1/4" FLANGE BEARING	8
2	204-03-08-000	VERTICAL ROLLER ASSY	2	8	R07785	1/2-13 UNC HEX NUT	32
2.1	204-03-08-098	LONG ROLLER SHAFT	1	9	R07805	1/2" LOCK WASHER	32
2.2	204-03-08-097	LONG ROLLER	1	10	R07744	1/2 x 2 UNC CARRIAGE BOLT	16
2.3	204-03-05-033	ROLLER CAPS	2	11	R07639	1/2 x 2 UNC HEX BOLT	8
3	204-03-09-000	HORIZONTAL ROLLER ASSY	1	12	R07644	1/2 x 5 UNC HEX BOLT	8
3.1	204-03-09-096	SHORT ROLLER SHAFT	1	13	R07646	5/8 x 1 1/2 UNC HEX BOLT	2
3.2	204-03-09-095	SHORT ROLLER	1	14	R07786	5/8-11 UNC HEX NUT	2
3.3	204-03-05-033	ROLLER CAPS	2	15	R07806	5/8" LOCK WASHER	2

BOLT ON TONGUE



PARTS LIST

ITEM	PART NUMBER	DESCRIPTION	QTY
1	204-05-00-000	BOLT ON TONGUE ASSY	1
1.1	204-05-00-047	TONGUE ANGLE TUBE	2
1.2	204-05-00-049	TONGUE GUSSET	2
1.3	204-05-00-048	TONGUE TUBE	1
1.4	200-03-00-019	HITCH TOP PC	2
1.5	204-05-00-116	HITCH REINFORCING PLATE	2
1.6	204-01-00-001	TONGUE BOLT PLATE	2
1.7	204-05-00-051	CORNER GUSSET	4
1.8	204-05-00-052	CORNER GUSSET FILLER	2
1.9	204-05-00-072	TONGUE LIFT HOOK	2
1.10	204-05-00-050	FILLER PLATE	1
1.11	364-35-00-245	TONGUE JACK BRKT	1
1.12	204-05-00-073	RELIEF VALVE CONTROL PLATE	1
1.13	296-25-00-090	HYD HOSE HOLDER	1
2	R09751	7000LB SIDE WIND JACK	1
3	R07639	1/2 x 2 UNC HEX BOLT	12
4	R07785	1/2-13 UNC HEX NUT	12
5	R07805	1/2" LOCK WASHER	12

