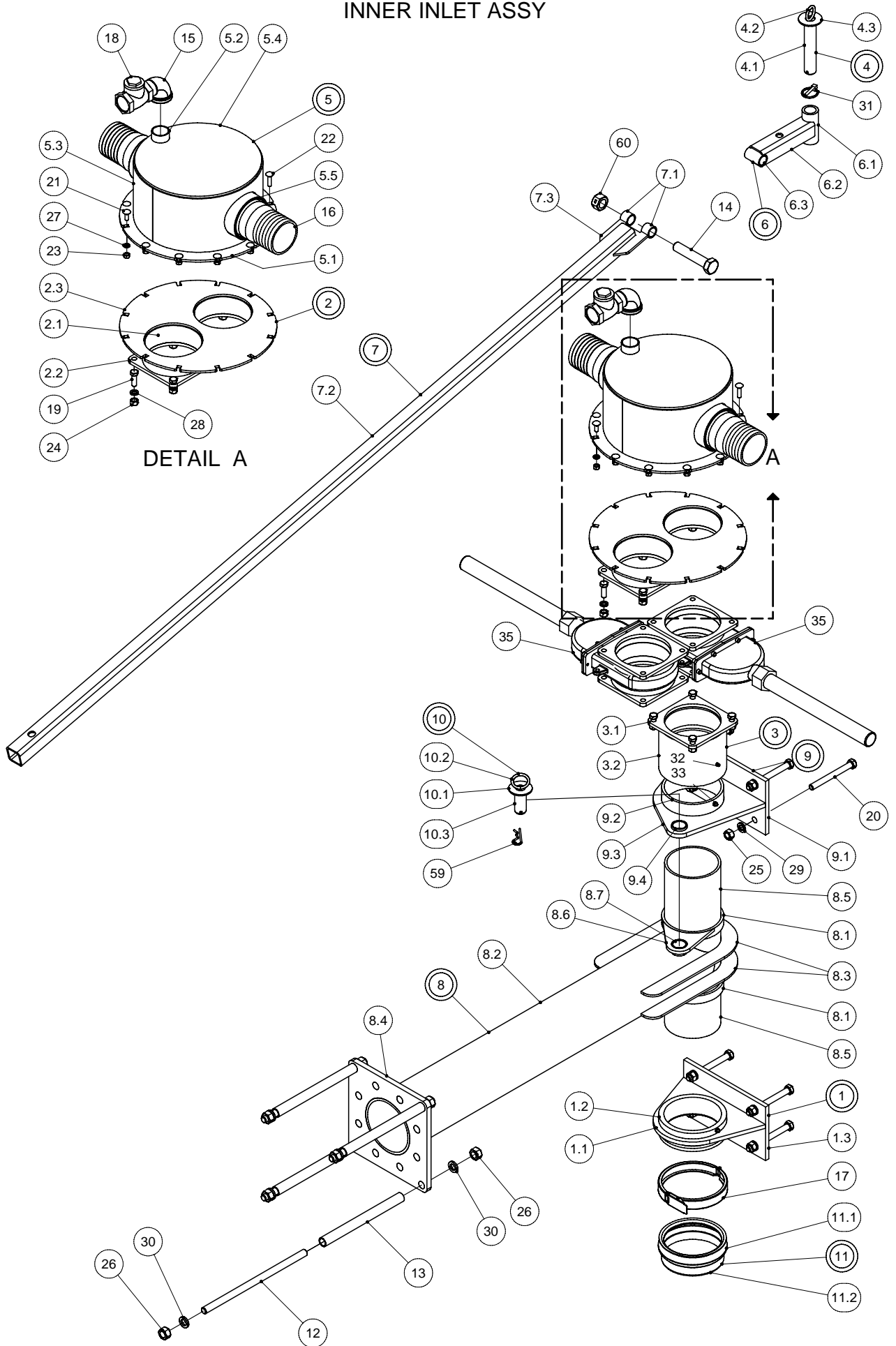


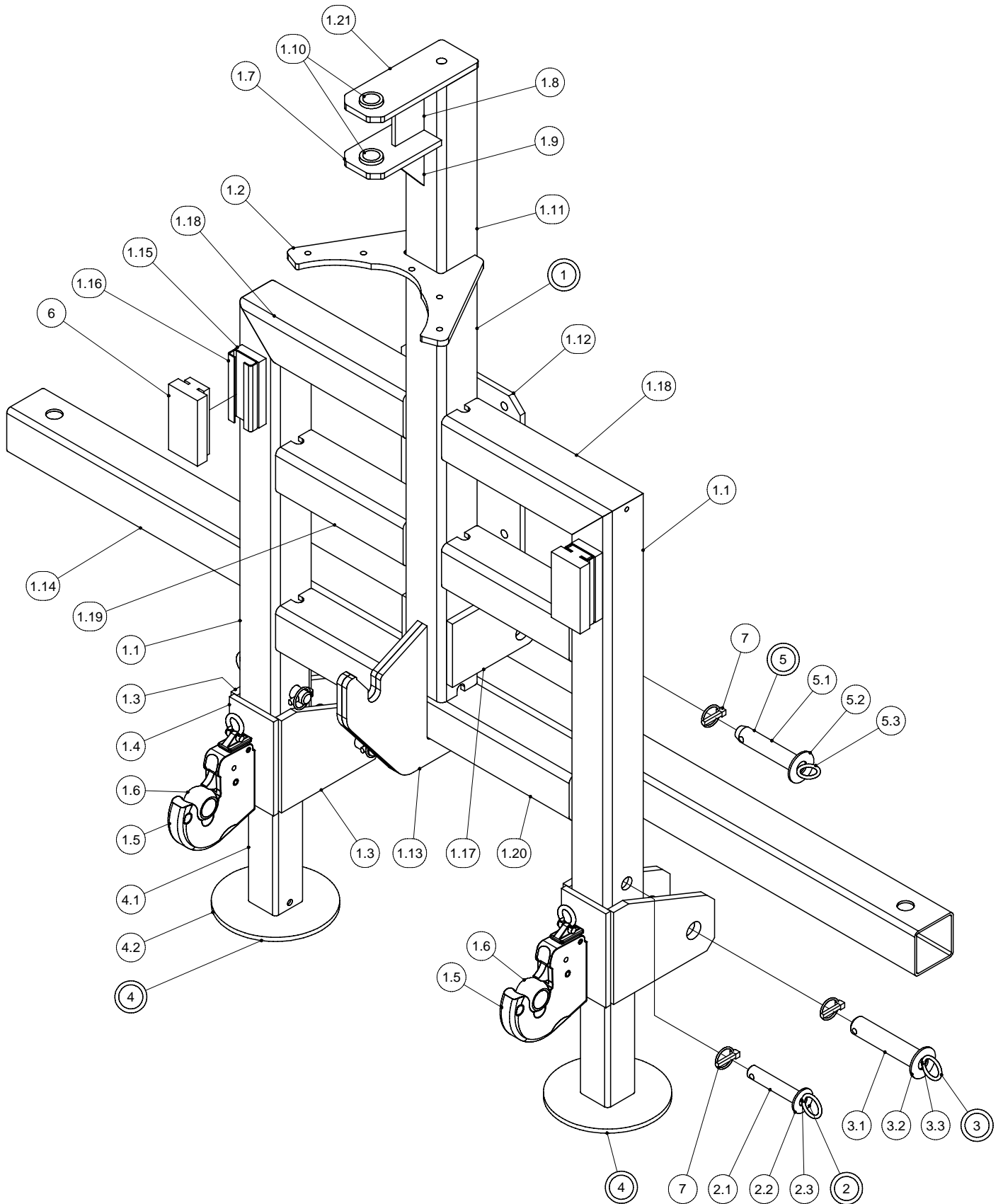
INNER INLET ASSY



INNER INLET ASSY

PARTS LIST				PARTS LIST			
ITEM	PART NUMBER	DESCRIPTION	QTY	ITEM	PART NUMBER	DESCRIPTION	QTY
1	530-03-04-000	LOWER SLEEVE ASSY	1	9	532-14-00-000	UPPER SLEEVE ASSY	1
1.1	530-03-04-025	LOWER MOUNT BRKT	1	9.1	530-03-04-027	"U" BOLT FLANGE	1
1.2	530-03-04-026	COUPLING TUBE	1	9.2	215-02-03-028	STATIONARY SLEEVE	1
1.3	530-03-04-027	"U" BOLT FLANGE	1	9.3	532-14-00-058	UPPER MOUNT BRKT W/PIN HOLES	1
2	530-03-06-000	INLET ASSY	1	9.4	532-14-00-060	LOCK PIN SLEEVE	1
2.1	530-03-06-033	EXTENSION PIPE	2	10	532-16-00-000	CYLINDER PIN ASSY	1
2.2	368-01-72-351	6" VALVE FLANGE	2	10.1	R07828	1" FLAT WASHER	1
2.3	530-03-06-032	INLET BASE PLATE	1	10.2	250-00-00-354	1/4 X 1 1/2" RING	1
3	530-03-08-000	SWIVEL COUPLER ASSY	1	10.3	532-16-00-061	CYLINDER BAR PIN	1
3.1	368-01-72-351	6" VALVE FLANGE	1	11	215-11-00-000	CAP ASSY	1
3.2	384-05-01-025	DOUBLE SEAL HOLDER	1	11.1	215-11-00-069	6" FEMALE CIRLOC STD COUPLING	1
4	530-03-10-000	CHAIN SWIVEL PIN ASSY	1	11.2	215-11-00-070	CAP	1
4.1	530-03-10-037	CHAIN SWIVEL PIN	1	12	215-29-00-160	CONNECTOR ROD	4
4.2	R07925	1/4 x 1 1/2 PLATED RING	1	13	215-29-00-155	SPACER PIPE	4
4.3	R07828	1" FLAT WASHER	1	14	R07666	1 x 5 UNC HEX BOLT	1
5	532-05-00-000	2 OUTLET CANNISTER ASSY	1	15	R02107	1 1/2" ST ELBOW - 90°	1
5.1	308-62-01-197	FLANGE	1	16	R02449	4" COMB NIPPLE	2
5.2	R02127	1 1/2 CLOSE NIPPLE	1	17	R02487	6" RING LOCK CLAMP	1
5.3	532-05-00-029	2 OUTLET CANNISTER	1	18	R02490	1 1/2" CHECK VALVE	1
5.4	532-05-00-030	CANNISTER LID	1	19	R07638	1/2 x 1 1/2 UNC HEX BOLT	12
5.5	532-05-00-031	HALF 4" PIPE COUPLING	2	20	R07653	5/8 x 6 UNC HEX BOLT	8
6	532-06-00-000	TOP SWIVEL ASSY	1	21	R07721	3/8 x 1 UNC CARRIAGE BOLT	7
6.1	530-03-09-035	LONG SWIVEL SLEEVE	1	22	R07723	3/8 x 1 1/2 UNC CARRIAGE BOLT	5
6.2	532-06-00-032	TOP SWIVEL ASSY	1	23	R07783	3/8-16 UNC HEX NUT	12
6.3	532-06-00-033	LONG SWIVEL SLEEVE	1	24	R07785	1/2-13 UNC HEX NUT	12
7	532-07-00-000	LONG SWIVEL ARM ASSY	1	25	R07786	5/8-11 UNC HEX NUT	8
7.1	532-07-00-034	SHORT SWIVEL SLEEVE	2	26	R07787	3/4-10 UNC HEX NUT	8
7.2	532-07-00-036	LONG SWIVEL TUBE	1	27	R07803	3/8" LOCK WASHER	12
7.3	532-07-00-035	SLEEVE BRKT	1	28	R07805	1/2" LOCK WASHER	12
8	532-13-00-000	INLET SWIVEL ASSY	1	29	R07806	5/8" LOCK WASHER	8
8.1	215-02-02-026	SWIVEL TUBE RING	2	30	R07807	3/4" LOCK WASHER	8
8.2	532-13-00-047	6' HOSE PIPE	1	31	R08041	1/4" LYNCH PIN	1
8.3	532-13-00-048	6"HOSE BEAM BRKTS	2	32	R08183	1/4" - 28 STRAIGHT GREASE FITTING	2
8.4	532-13-00-049	6" FLOW METER FLANGE	1	33	R08186	1/8" NPT GREASE FTG	2
8.5	532-13-00-053	SWIVEL TUBE	1	35	R10427	6" HYD VALVE-FLANGED	2
8.6	532-13-00-059	LOCKING PLATE	1	59	R07948	5/32 HAIR PIN	1
8.7	532-14-00-060	LOCK PIN SLEEVE	1	60	R07882	1-8 UNC 2-WAY LOCK NUT	1

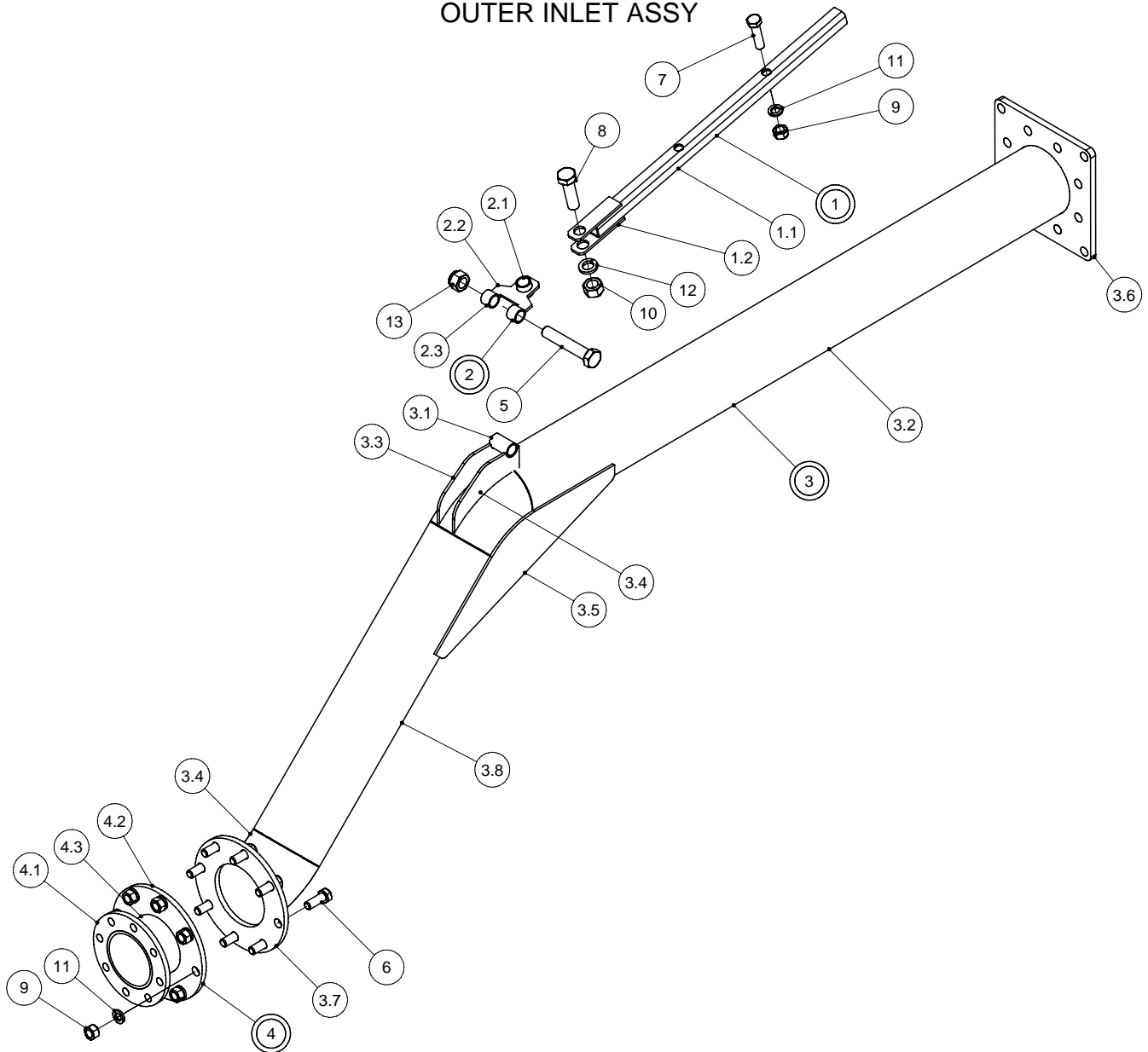
MAIN FRAME



MAIN FRAME

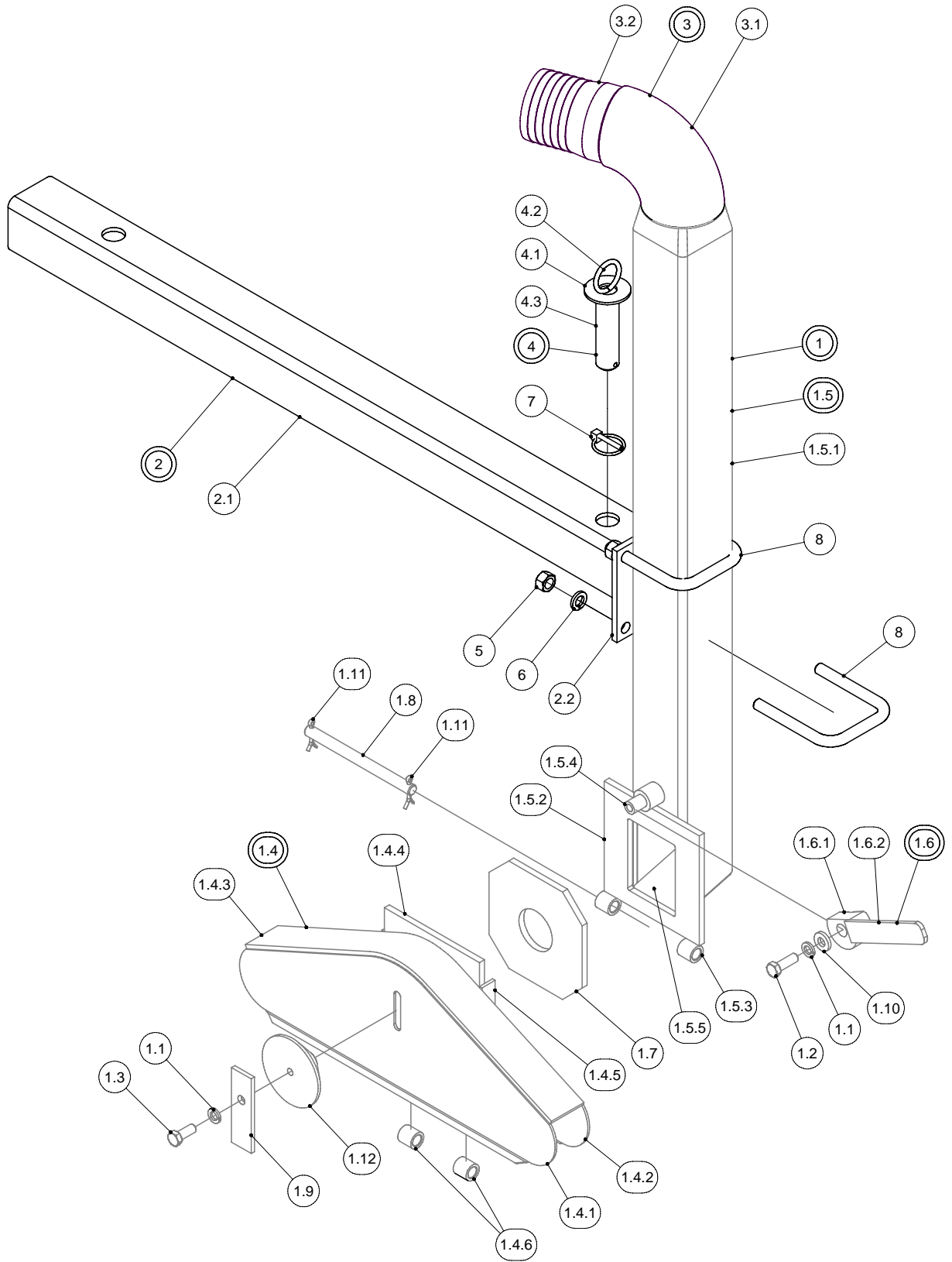
PARTS LIST			
ITEM	PART NUMBER	DESCRIPTION	QTY
1	532-01-00-000	MAIN FRAME ASSY	1
1.1	530-03-01-010	FRAME SIDE	2
1.2	530-03-01-019	ATTACHMENT FLANGE	1
1.3	530-03-01-016	HITCH BRKT	4
1.4	530-03-01-018	REINFORCING PLATE	2
1.5	R10490	CAT.3 - QD LOWER LINK	2
1.6	R10491	CAT.3 QD - LOWER LINK BALL	2
1.7	530-03-01-021	LOWER BRKT	1
1.8	530-03-01-022	SPACER BAR	1
1.9	530-03-01-023	SUPPORT GUSSET	1
1.10	530-03-01-024	SHORT SLEEVE	2
1.11	532-01-00-001	VERTICAL POST	1
1.12	532-01-00-002	FRONT BOLT PLATE	1
1.13	532-01-00-004	UPPER LIFT HOOK	2
1.14	532-01-00-005	CROSS TUBE	1
1.15	532-01-00-025	STOP EXTENSION PLATE	2
1.16	532-01-00-026	RUBBER MOUNT	2
1.17	215-01-00-016	TOP LINK PLATE	2
1.18	532-01-00-054	FRAME TOP PC	2
1.19	532-01-00-055	MIDDLE CROSS TUBE	2
1.20	532-01-00-056	CROSS TUBE	1
1.21	532-01-00-057	TOP BRKT	1
2	480-15-00-000	LEG PIN ASSY	2
2.1	480-15-00-068	LEG PIN	1
2.2	R07827	3/4" FLAT WASHER	1
2.3	250-00-00-354	1/4 X 1 1/2" RING	1
3	480-13-00-000	HITCH PIN ASSY	2
3.1	480-13-00-067	HITCH PIN	1
3.2	R07828	1" FLAT WASHER	1
3.3	250-00-00-354	1/4 X 1 1/2" RING	1
4	480-06-00-000	STAND ASSY	2
4.1	480-06-00-045	STAND LEG	1
4.2	480-06-00-046	STAND FOOT	1
5	215-17-00-000	UPPER HITCH PIN ASSY	1
5.1	215-17-00-084	UPPER HITCH PIN	2
5.2	R07828	1" FLAT WASHER	1
5.3	R07925	1/4 x 1 1/2 PLATED RING	1
6	532-00-00-027	RUBBER STOP	2
7	R08040	2 - 18 LYNCH PIN	5

OUTER INLET ASSY



PARTS LIST				PARTS LIST			
ITEM	PART NUMBER	DESCRIPTION	QTY	ITEM	PART NUMBER	DESCRIPTION	QTY
1	532-08-00-000	BOTTOM SWIVEL TUBE ASSY	1	3.6	532-13-00-049	6" FLOW METER FLANGE	1
1.1	532-08-00-037	BOOM SWIVEL TUBE	1	4	532-15-00-000	6" TO 5" ADAPTOR ASSY	1
1.2	532-08-00-038	PIVOT PLATE	2	4.1	532-10-00-045	5" FLANGE	1
2	532-09-00-000	BOTTOM PIVOT ASSY	1	4.3	532-15-00-050	6" TO 5" ADAPTOR PIPE	1
2.3	532-07-00-034	SHORT SWIVEL SLEEVE	2	4.2	532-15-00-051	ADAPTOR FLANGE	1
2.1	532-09-00-039	SPACER PIPE	1	5	R	Not Entered In our R#'s Yet	1
2.2	532-09-00-040	MOUNT BRKT	1	6	R07654	3/4 x 2 UNC HEX BOLT	8
3	532-10-00-000	OUTER INLET TUBE ASSY	1	7	R07656	3/4 x 3 UNC HEX BOLT	1
3.7	215-31-01-170	6" STATIONARY FLANGE	1	8	R07664	1 x 3 1/2 UNC HEX BOLT	1
3.1	532-06-00-033	LONG SWIVEL SLEEVE	1	9	R07787	3/4-10 UNC HEX NUT	9
3.2	532-10-00-041	LONG INLET PIPE	1	10	R07788	1-8 UNC HEX NUT	1
3.4	532-10-00-043	45 DEGREE 6" WELD ELBOW	2	11	R07807	3/4" LOCK WASHER	9
3.5	532-10-00-044	FISH PLATE	2	12	R07808	1" LOCK WASHER	1
3.8	532-10-00-052	EXTENSION PIPE	1	13	R08246	1 UNC NYLOCK NUT	1
3.3	532-10-00042	HOLDER BRKT	2				

SPASH PLATE



SPLASH PLATE

PARTS LIST			
ITEM	PART NUMBER	DESCRIPTION	QTY
1	532-02-00-000	SPLASH PLATE AND ARM ASSY	1
1.1	R07805	1/2" LOCK WASHER	2
1.2	R07638	1/2 x 1 1/2 UNC HEX BOLT	1
1.3	R07674	1/2 x 1 1/4 UNC HEX BOLT	1
1.4	532-02-01-000	SPLASH PLATE ASSY	1
1.4.1	532-02-01-006	SPLASH PLATE FRONT	1
1.4.2	532-02-01-007	SPLASH PLATE BACK	1
1.4.3	532-02-01-008	SPLASH TOP BAND	1
1.4.4	532-02-01-009	SPLASH PLATE REAR SQ PLATE	1
1.4.5	532-02-01-010	GUIDE BAR	2
1.4.6	532-02-01-011	HINGE SLEEVE	2
1.5	532-02-02-000	SPLASH PLATE ARM ASSY	1
1.5.1	532-02-02-012	SPLASH PLATE ARM	1
1.5.2	532-02-02-013	TUBE HINGE PLATE	1
1.5.3	532-02-01-011	HINGE SLEEVE	2
1.5.4	532-02-02-014	LOCKING LUG	1
1.5.5	532-02-02-015	TUBE END CAP	1
1.6	532-02-03-000	LOCKING HANDLE ASSY	1
1.6.1	532-02-03-016	LOCKING CAM	1
1.6.2	532-02-03-017	LOCKING HANDLE	1
1.7	532-02-00-018	RUBBER ORIFIC SEAL	1
1.8	532-02-00-019	HINGE PIN	1
1.9	532-02-00-020	CONE BAR	1
1.10	532-02-00-021	WASHER	1
1.11	R08011	3/16 x 1 1/2 COTTER PIN	2
1.12	532-02-00-022	PLASTIC CONE DEFLECTOR	1
2	532-03-00-000	EXTENSION TUBE ASSY	1
2.1	532-03-00-023	EXTENSION TUBE	1
2.2	532-03-00-024	BOLT PLATE	1
3	532-04-00-000	4" ELBOW ASSY	1
3.1	R02191	4" WELD ELBOW	1
3.2	532-04-00-028	4" BARBED END	1
4	532-11-00-000	CHAIN SWIVEL PIN ASSY	1
4.1	R07828	1" FLAT WASHER	1
4.2	250-00-00-354	1/4 X 1 1/2" RING	1
4.3	532-11-00-046	PIN	1
5	R07786	5/8-11 UNC HEX NUT	4
6	R07806	5/8" LOCK WASHER	4
7	R08041	1/4" LYNCH PIN	1
8	R08181	5/8 - 18 UNF U-BOLT x 6" LONG	2