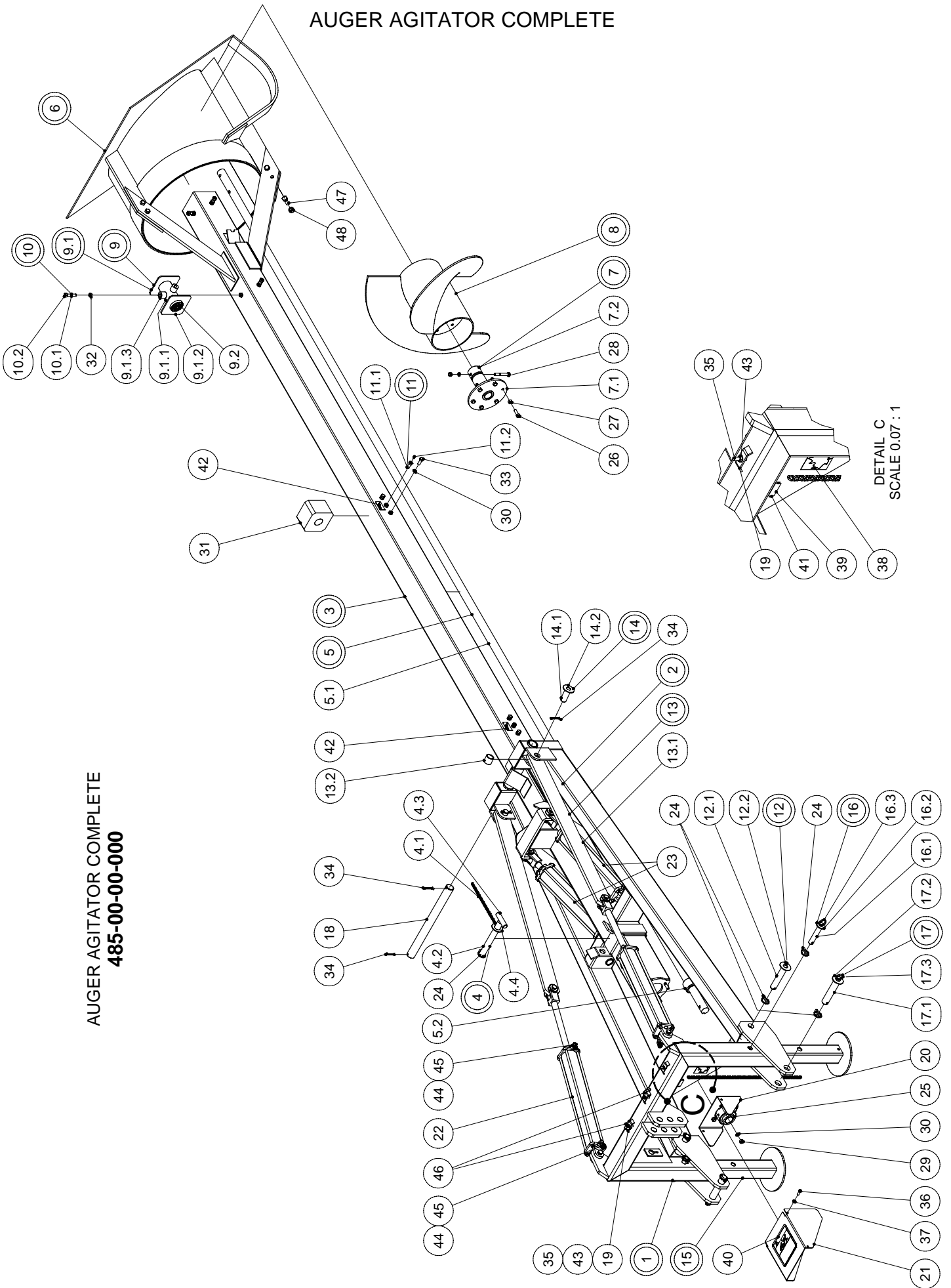


©

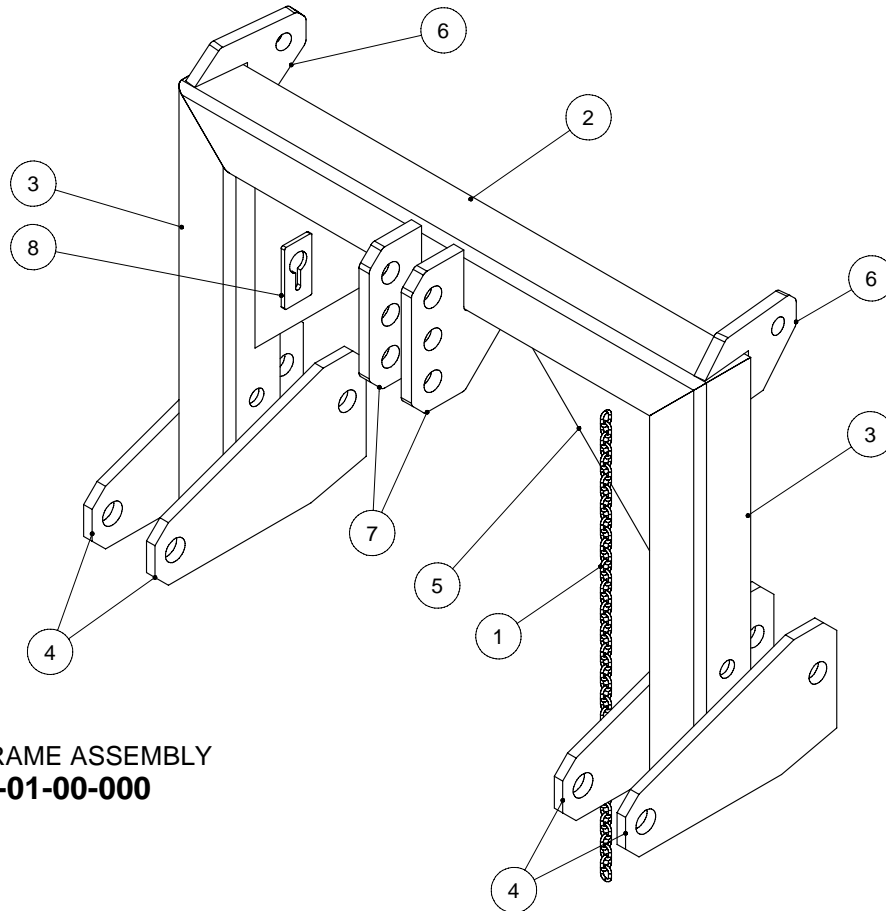
AUGER AGITATOR COMPLETE



AUGER AGITATOR COMPLETE

PARTS LIST			
ITEM	PART NUMBER	DESCRIPTION	QTY
1	485-01-00-000	HITCH FRAME ASSY	1
2	485-02-00-000	CARRIAGE FRAME ASSY	1
3	485-08-00-000	DRIVE SHAFT TUBE ASSY	1
4	485-02-01-000	LOCK PIN & CHAIN ASSY	1
4.1	485-02-01-016	LOCK PIN CHAIN	1
4.2	485-02-01-015	LOCK PIN	1
4.3	485-02-01-017	PIN HANDLE	1
4.4	R07830	1 1/4" FLAT WASHER	1
5	485-07-00-000	DRIVE SHAFT ASSY	1
5.1	485-07-00-034	DRIVE SHAFT	1
5.2	280-05-00-031	THRUST BEARING BLOCK	1
6	485-06-00-000	SHROUD ASSY	1
7	485-04-00-000	AUGER HUB ASSY	1
7.1	485-04-00-023	HUB FLANGE	1
7.2	485-04-00-022	AUGER HUB	1
8	485-05-00-000	AUGER ASSY	1
9	242-22-00-000	1 3/4" MARINE BEARING HOLDER COMPLETE	2
9.1	242-22-27-000	MARINE BEARING HOLDER ASSY	1
9.1.1	250-76-34-180	URETHANE BRG SLEEVE	1
9.1.2	242-22-27-235	BEARING HOLDING PLATE	2
9.1.3	242-22-27-236	SET SCREW SLEEVE	2
9.2	R20280	URETHANE	1
10	250-59-00-000	SET SCREW ASSY	4
10.1	250-59-00-141	SS SET SCREW REDDI ROD	1
10.2	R08235	1/2 S.S. HEX NUT	1
11	244-88-00-000	WOOD BEARING GREASE BOLT KIT	2
11.1	244-88-00-451	WOOD BEARING GREASE BOLT	1
11.2	R08183	1/4" - 28 STRAIGHT GREASE FITTING	1
12	480-08-00-000	PIVOT PIN ASSY	2
12.1	480-08-00-048	PIVOT PIN	1
12.2	R07828	1" FLAT WASHER	1
13	485-03-00-000	CYLINDER BAR ASSY	2
13.1	485-03-00-019	CYLINDER BAR	1
13.2	485-03-00-020	CYLINDER BAR BUSHING	1
14	485-10-00-000	LIFT BAR PIN ASSY	2
14.1	485-10-00-054	LIFT BAR PIN	1
14.2	R07828	1" FLAT WASHER	1
15	480-06-00-000	STAND ASSY	2
16	480-15-00-000	LEG PIN ASSY	2
16.1	480-15-00-068	LEG PIN	1
16.2	R07827	3/4" FLAT WASHER	1
16.3	R07925	1/4 x 1 1/2 PLATED RING	1
17	480-13-00-000	HITCH PIN ASSY	2
17.1	480-13-00-067	HITCH PIN	1
17.2	R07828	1" FLAT WASHER	1
17.3	R07925	1/4 x 1 1/2 PLATED RING	1
18	485-00-00-021	PIVOT PIN	1
19	290-00-00-167	HYDRAULIC HOSE CLIP	8
20	485-00-00-047	PTO GUARD BRKT	1
21	296-00-00-033	PTO GUARD	1
22	R22531	3 x 24" HYD CYLINDER	2
23	R22534	2 1/2 x 16" HYD CYLINDER	2
24	R08040	2 - 18 LYNCH PIN	7
25	R20206	1 3/4" THRUST BEARING	1
26	R07638	1/2 x 1 1/2 HEX BOLT	6
27	R08219	1/2" NYLOCK NUT	6
28	R07642	1/2 x 3 1/2 HEX BOLT	2
29	R07785	1/2 HEX NUT	6
30	R07805	1/2 LOCK WASHER	11
31	R20235	5.58" SQ WOOD BEARING	2
32	R08046	1/2 - 13 JAM NUT	4
33	R07674	1/2 x 1 1/4 HEX BOLT	4
34	R08016	1/4 x 2 COTTER PIN	4
35	R08302	3/8-16 UNC x 1 5/8" WELD STUD	8
36	R07619	3/8 x 1 HEX BOLT	2
37	R07886	3/8 - 2 WAY LOCK NUT	2
38	R09509	"MADE IN CANADA" DECAL - LARGE	1
39	R09071	SERIAL NUMBER PLATE	1
40	R09785	"DANGER ROTATING DRIVELINE" DECAL	1
41	R08152	6 x 1/4 PAN HD SOCKET SCREW	2
42	R09582	GREASE SYMBOL DECAL	3
43	R07794	3/8 FLANGE NUT	8
44	R02043	BUSHING 1/2 x 3/8	8
45	R21328	3/8 NPT x 90 DEG SW. ADAPTER	8
46	R21400	3/8" SOLID TEE	2
47	R07647	5/8 x 2" HEX BOLT	6
48	R07887	5/8 HEX NUT	6

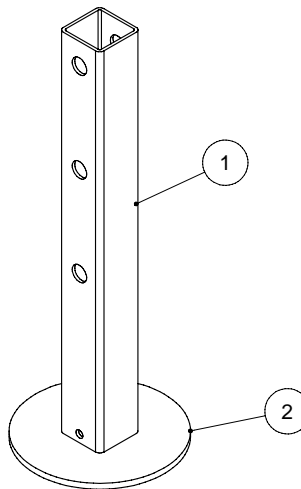
HITCH FRAME ASSY



**HITCH FRAME ASSEMBLY
485-01-00-000**

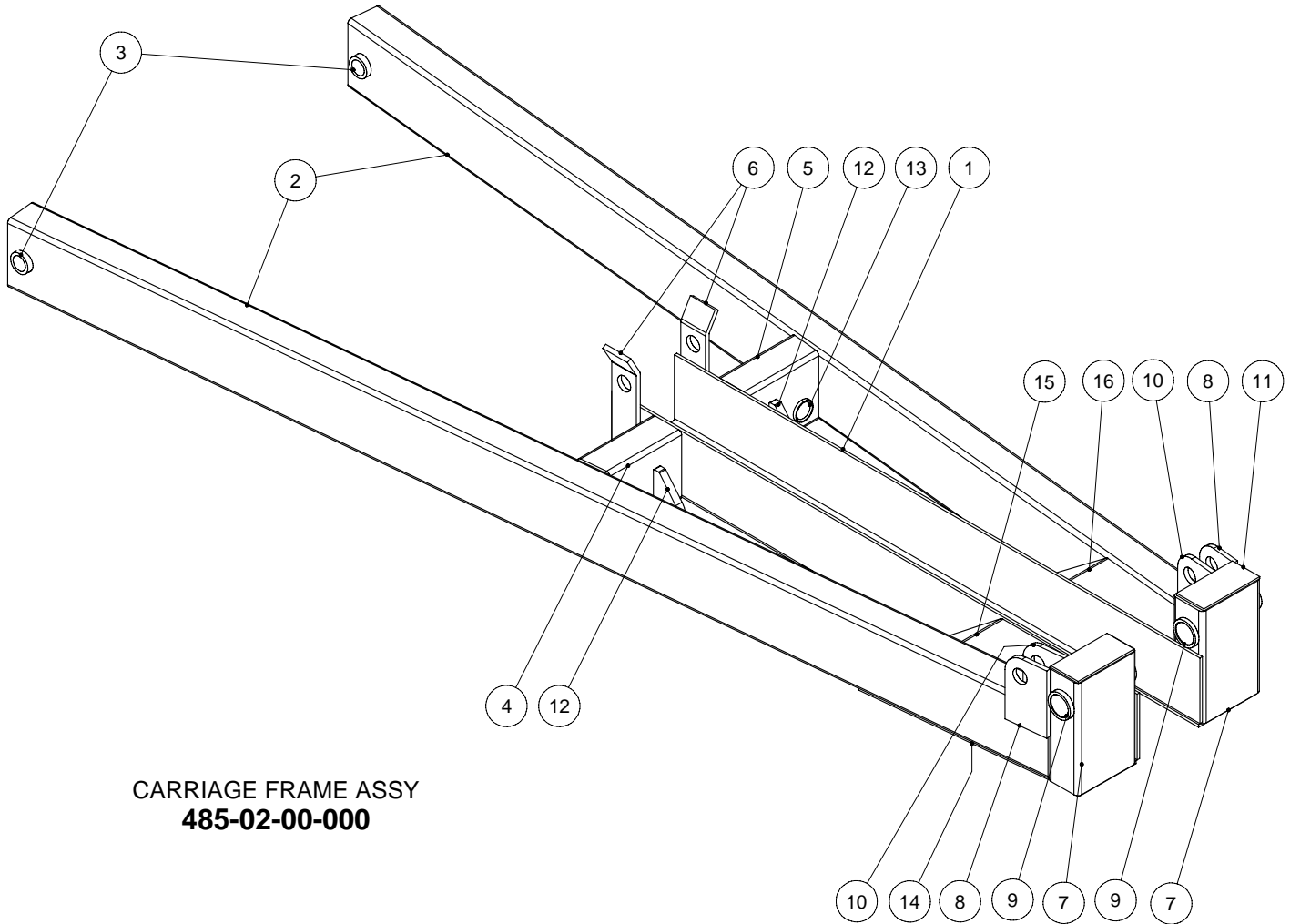
PARTS LIST			
ITEM	PART NUMBER	DESCRIPTION	QTY
1	480-01-00-044	PTO RETAINING CHAIN	1
2	480-01-00-002	HITCH FRAME TOP PC	1
3	480-01-00-001	HITCH FRAME SIDE	2
4	480-01-00-005	HITCH PLATE	4
5	480-01-00-004	GUSSET	2
6	480-01-00-009	CYLINDER BRKT	2
7	480-01-00-003	UPPER LINK CONN PLATE	2
8	480-01-00-008	CHAIN BRKT	1

**STAND ASSEMBLY
480-06-00-000
(2 REQ'D)**



PARTS LIST			
ITEM	PART NUMBER	DESCRIPTION	QTY
1	480-06-00-045	STAND LEG	1
2	480-06-00-046	STAND FOOT	1

CARRIAGE FRAME ASSY



**CARRIAGE FRAME ASSY
485-02-00-000**

PARTS LIST			
ITEM	PART NUMBER	DESCRIPTION	QTY
1	485-02-00-003	CRADDLE	1
2	485-02-00-001	LIFT ARM	2
3	485-02-00-002	LIFT ARM BUSHING	2
4	485-02-00-055	LH SUPPORT TUBE w/ HOLE	1
5	485-02-00-004	RH SUPPORT TUBE w/ HOLE	1
6	485-02-00-005	HOLD DOWN BRKT	2
7	485-02-00-009	VERTICAL TUBE	2
8	485-02-00-011	OUTER BRKT	2
9	485-02-00-014	VERTICAL TUBE PIN SLEEVE	2
10	485-02-00-048	INSIDE CYL. BRKT	2
11	485-02-00-049	CAP	2
12	485-02-00-013	CYLINDER LUG	2
13	485-02-00-056	HOSE TUBE	2
14	485-02-00-007	LOWER GUSSET	1
15	485-02-00-006	UPPER GUSSET - LEFT	1
16	485-02-00-057	UPPER GUSSET - RIGHT	1

GUARANTEE

All Husky Farm Equipment manufactured by Husky Farm Equipment Limited is guaranteed. Guarantee covers all the replacement cost or repair of all parts said to be defective from manufacture. Guarantee also covers labour installing said parts, if installed at Husky's Manufacturing plant. Time and use is the essence of the guarantee. If equipment is used on a private property for an individual's use, guarantee will be in effect for twelve months from date of invoice. If equipment is used for commercial use to do custom work for money then guarantee will be in effect for three months only from date of invoice.

EXEMPTIONS FROM GUARANTEE

Cost of transportation of equipment to or from Husky Farm Equipment Limited either by customer or by Husky's service staff or cost of mail or public transportation is not covered. Tires and electric or hydraulic motors are covered by manufacturer's warranty and although Husky may assist to get warranty, Husky will not be responsible other than that allowed by manufacturer's warranty. Items subject to normal wear from use not covered by guarantee if faulty part is simply worn.