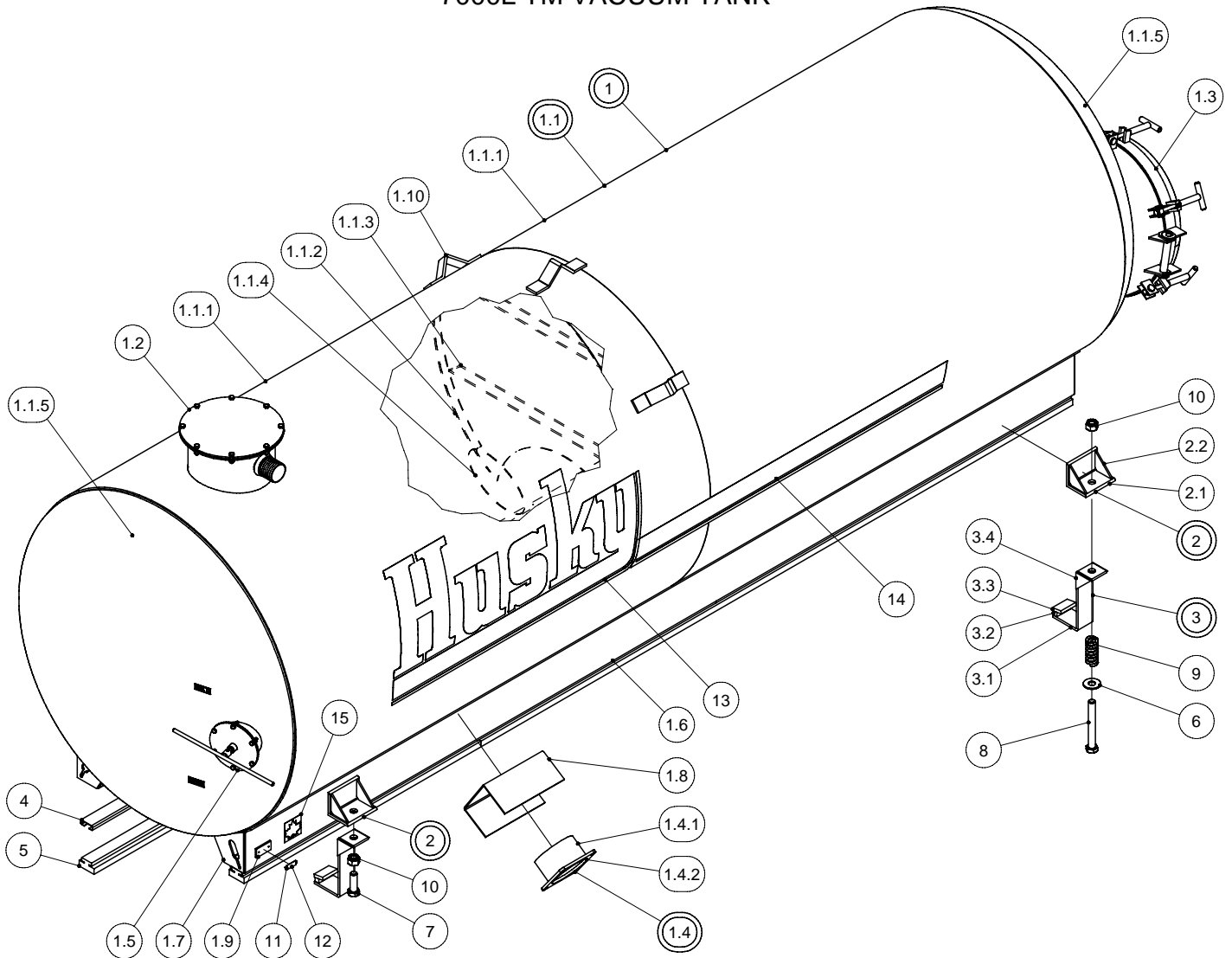


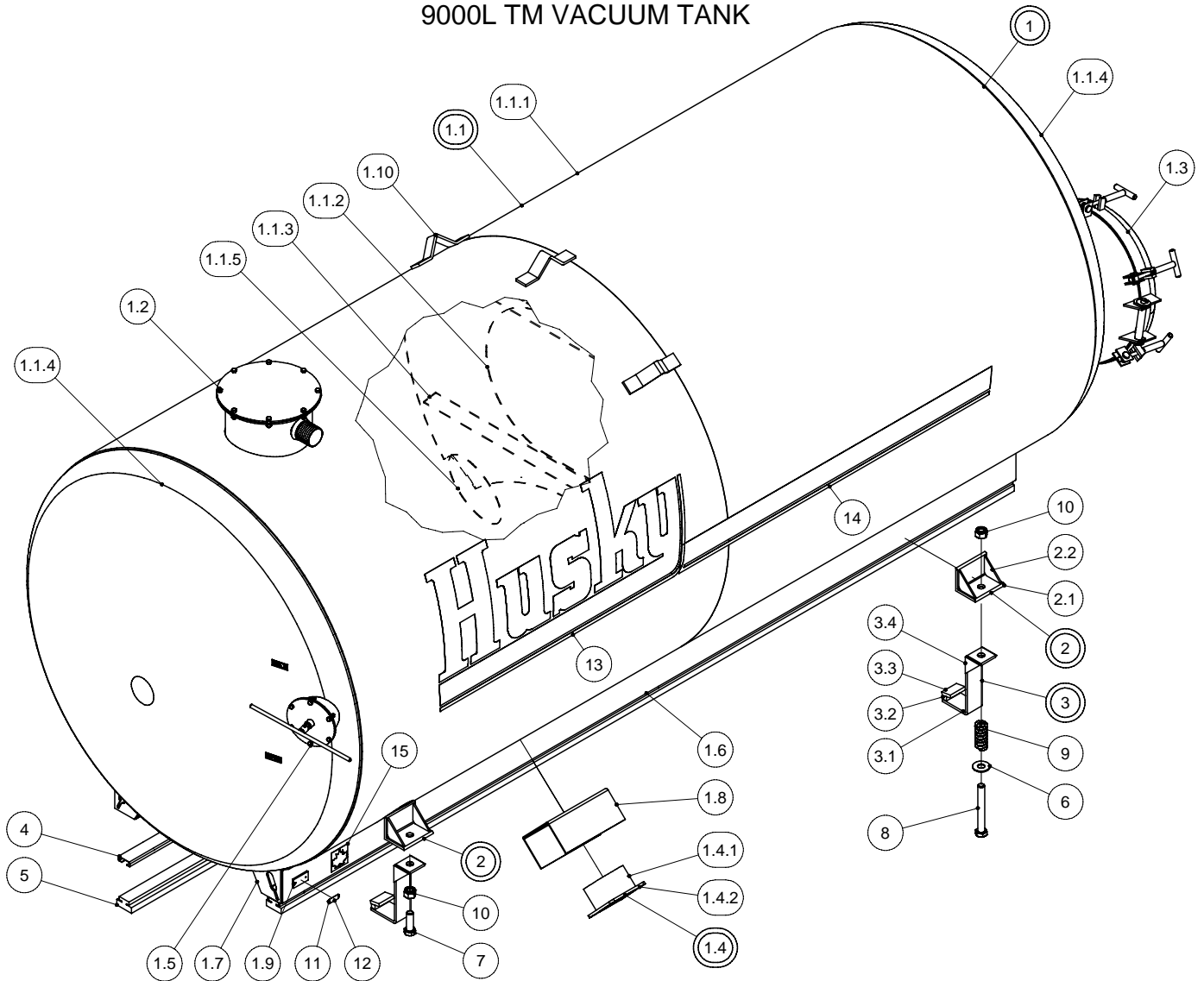


7000L TM VACUUM TANK



PARTS LIST				PARTS LIST			
ITEM	PART NUMBER	DESCRIPTION	QTY	ITEM	PART NUMBER	DESCRIPTION	QTY
1	370-04-00-000	7000L TANK & SILL ASSY	1	2.1	316-22-00-012	HOLD DOWN ANGLE BRKTS	1
1.1	366-21-13-000	7000L TANK ASSY	1	2.2	316-22-00-035	HOLD DOWN ANGLE GUSSET	2
1.1.1	366-21-13-084	7000L TANK SHELL	2	3	316-24-00-000	HOLD DOWN ASSY	4
1.1.2	365-40-30-530	5700L FLANGED TANK BAFFLE	1	3.1	316-24-00-044	BRKT MAIN PC	1
1.1.3	365-40-30-531	5700L BAFFLE REIN. BAR	2	3.2	316-24-00-045	SPACER BAR	1
1.1.4	340-01-01-559	OVAL REINFORCING PLATE	2	3.3	316-24-00-046	HOLD DOWN RETURN	1
1.1.5	R09844	54" ROUND TANK END	2	3.4	316-24-00-047	GUSSET	2
1.2	368-91-00-000	PRIMARY MOISTURE TRAP - 3"	1	4	R10482	RUBBER MOUNTING SILL CHANNEL	6
1.3	368-64-00-000	24" MANUAL VACUUM HATCH	1	5	R10483	RUBBER T-STRIP	4
1.4	368-01-72-000	6" VALVE FLANGE ASSY	1	6	R07828	1" FLAT WASHER	2
1.4.1	368-01-27-168	SIDE VALVE NIPPLE	1	7	R07663	1 x 3 UNC HEX BOLT	2
1.4.2	368-01-72-351	6" VALVE FLANGE	1	8	R07669	1 x 8 UNC HEX BOLT	2
1.5	330-20-00-000	SITE GAUGE KIT	1	9	R08034	HP 88 1 x 4 SPRING	2
1.6	370-04-00-008	7000L SILL	2	10	R08246	1 UNC NYLOCK NUT	4
1.7	370-04-00-009	SILL CAP	4	11	R08152	6 x 1/4 PAN HD SOCKET SCREW	2
1.8	368-01-00-234	DEFLECTOR PLATE	1	12	R09071	SERIAL NUMBER PLATE	1
1.9	340-01-00-498	SERIAL NO. BACK PLATE	1	13	R09510	"HUSKY" DECAL	2
1.10	300-01-00-012	TANK LIFT HOOK	3	14	R09511	ACCENT STRIP	2
2	316-22-00-000	HOLD DOWN BRKT ASSY	4	15	R09509	"MADE IN CANADA" DECAL - LARGE	1

9000L TM VACUUM TANK



PARTS LIST				PARTS LIST			
ITEM	PART NUMBER	DESCRIPTION	QTY	ITEM	PART NUMBER	DESCRIPTION	QTY
1	371-03-00-000	9000L TANK & SILL ASSY	1	2.1	316-22-00-012	HOLD DOWN ANGLE BRKTS	1
1.1	367-18-10-000	9000L TANK ASSY	1	2.2	316-22-00-035	HOLD DOWN ANGLE GUSSET	2
1.1.1	367-18-10-073	9000L TANK SHELL	2	3	316-24-00-000	HOLD DOWN ASSY	4
1.1.2	367-18-10-074	9000L BAFFLE	1	3.1	316-24-00-044	BRKT MAIN PC	1
1.1.3	367-18-10-431	9000L BAFFLE REINFORCING BAR	2	3.2	316-24-00-045	SPACER BAR	1
1.1.4	R09843	66" DIA FL & DISHED HEAD	2	3.3	316-24-00-046	HOLD DOWN RETURN	1
1.1.5	340-01-01-559	OVAL REINFORCING PLATE	2	3.4	316-24-00-047	GUSSET	2
1.2	368-91-00-000	PRIMARY MOISTURE TRAP - 3"	1	4	R10482	RUBBER MOUNTING SILL CHANNEL	6
1.3	368-64-00-000	24" MANUAL VACUUM HATCH	1	5	R10483	RUBBER T-STRIP	4
1.4	368-01-72-000	6" VALVE FLANGE ASSY	1	6	R07828	1" FLAT WASHER	2
1.4.1	368-01-27-168	SIDE VALVE NIPPLE	1	7	R07663	1 x 3 UNC HEX BOLT	2
1.4.2	368-01-72-351	6" VALVE FLANGE	1	8	R07669	1 x 8 UNC HEX BOLT	2
1.5	330-20-00-000	SITE GAUGE KIT	1	9	R08034	HP 88 1 x 4 SPRING	2
1.6	371-03-00-005	9000L SILL	2	10	R08246	1 UNC NYLOCK NUT	4
1.7	371-03-00-006	SILL CAP	4	11	R08152	6 x 1/4 PAN HD SOCKET SCREW	2
1.8	368-01-00-234	DEFLECTOR PLATE	1	12	R09071	SERIAL NUMBER PLATE	1
1.9	340-01-00-498	SERIAL NO. BACK PLATE	1	13	R09510	"HUSKY" DECAL	2
1.10	300-01-00-012	TANK LIFT HOOK	3	14	R09511	ACCENT STRIP	2
2	316-22-00-000	HOLD DOWN BRKT ASSY	4	15	R09509	"MADE IN CANADA" DECAL - LARGE	1

