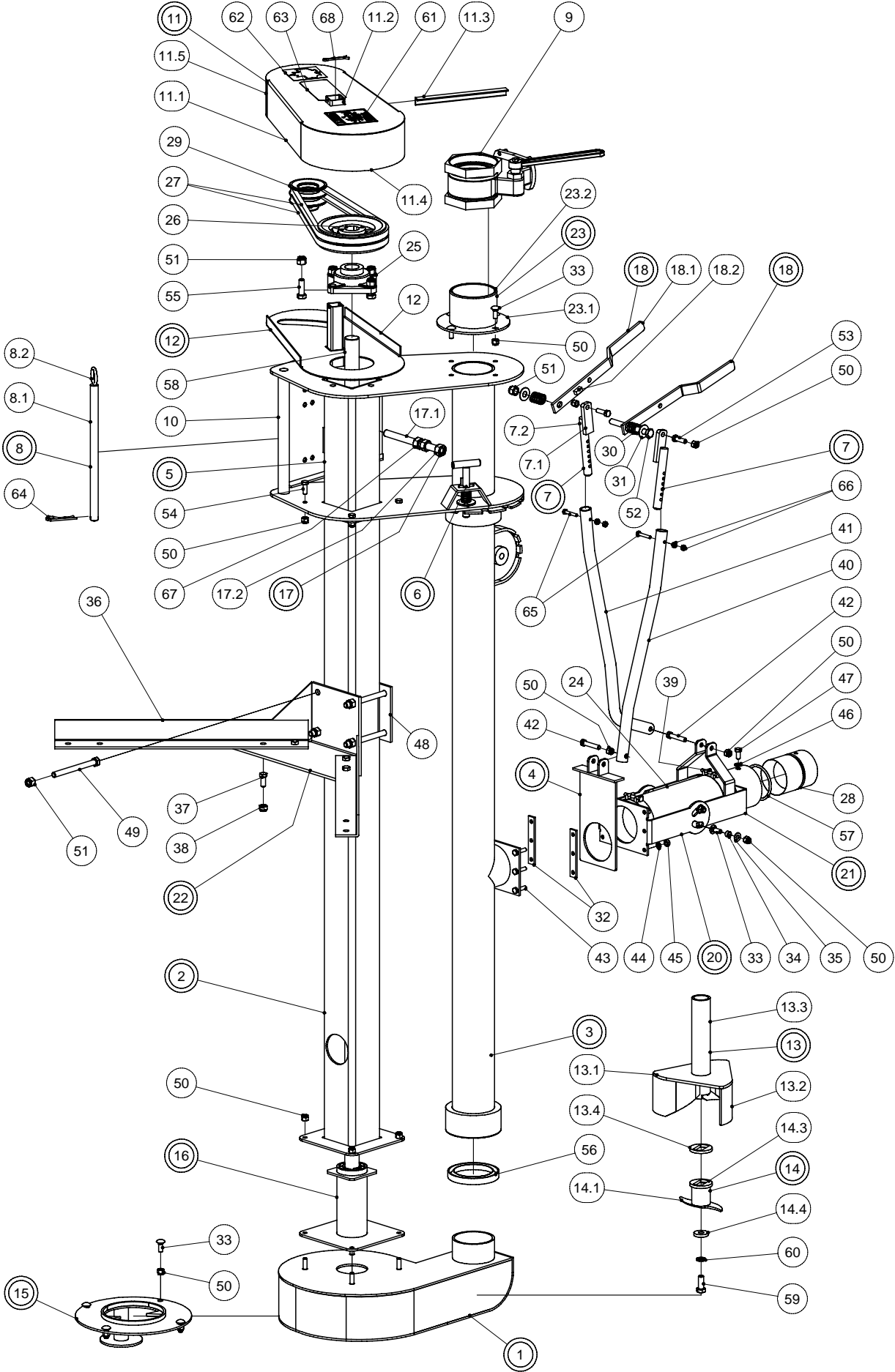


ELECTRA KING COMPLETE



ELECTRA KING COMPLETE

PARTS LIST				PARTS LIST			
ITEM	PART NUMBER	DESCRIPTION	QTY	ITEM	PART NUMBER	DESCRIPTION	QTY
1	550-01-00-000	HOUSING ASSY	1	16	550-02-00-000	BEARING ASSY	1
2	550-03-00-000	4FT SHAFT TUBE ASSY	1	17	550-44-00-000	S.S. TENSION BOLT ASSY	1
	551-25-00-000	5FT SHAFT TUBE ASSY	*	17.1	550-44-00-093	S.S. TENSION BOLT	1
	552-26-00-000	6FT SHAFT TUBE ASSY	*	17.2	R08389	5/8-11 SS UNC HEX NUT	1
	553-27-00-000	8FT SHAFT TUBE ASSY	*	18	550-06-02-000	ADJUSTMENT HANDLE ASSY	2
	554-28-00-000	10FT SHAFT TUBE ASSY	*	18.1	550-06-02-022	HANDLE	1
	555-29-00-000	12FT SHAFT TUBE ASSY	*	18.2	550-06-02-023	HANDLE LOCK	1
	556-41-00-000	15FT SHAFT TUBE ASSY	*	20	550-12-00-000	VERTICAL DEF. OUTER BRKT ASSY	1
3	550-04-00-000	STANDPIPE ASSY-4FT MODEL	1	21	550-13-00-000	OUTER DEFLECTOR ASSY	1
	551-20-00-000	STANDPIPE ASSY-5FT MODEL	*	22	550-14-00-000	FLOOR BRKT ASSY	1
	552-21-00-000	STANDPIPE ASSY-6FT MODEL	*	23	550-49-00-000	FLANGED PIPE NIPPLE ASSY	1
	553-22-00-000	STANDPIPE ASSY-8FT MODEL	*	23.1	550-49-00-097	NIPPLE FLANGE	1
	554-23-00-000	STANDPIPE ASSY-10FT MODEL	*	23.2	R02098	4" TOE PIPE NIPPLE	1
	555-24-00-000	STANDPIPE ASSY-12FT MODEL	*	24	550-00-00-062	VERTICAL DEFLECTOR FLEX HOSE	1
	556-40-00-000	STANDPIPE ASSY-15FT MODEL	*	25	R20185	1 3/8 FLANGE BRG	1
4	550-10-00-000	VALVE GATE ASSY	1	26	R21062	2HBx6.4 SHEEVE w/ BUSH.-1 3/8 BORE	1
5	550-05-00-000	TOP TUBE AND PIPE ASSY	1	27	R20932	38B - V BELTS	2
6	550-05-01-000	LOCK PIN KIT	1	28	550-00-00-039	INNER CONE PIPE	1
7	550-07-00-000	ADJUSTING ROD ASSY	2	29	R21064	2 HB x 3.5 x 1 1/8 BORE PULLEY	1
7.1	550-07-00-024	ADJUSTMENT BRKT	1	30	R08387	1"OD X 1 1/4" LONG SPRING	2
7.2	550-07-00-025	ADJUSTMENT PIN	1	31	R08320	1/2" SS FLAT WASHER	2
8	230-08-00-000	MOTOR MOUNT PIN ASSY	1	32	550-00-00-035	VALVE SIDE BAR	2
8.1	230-08-00-064	MOTOR MOUNT PIN	1	33	R08392	3/8 x 1 UNC SS CARRIAGE BOLT	12
8.2	R07925	1/4 x 1 1/2 PLATED RING	1	34	550-00-00-089	SPACER PIPE	4
9	R09898	4" MANUAL BRASS BALL VALVE	1	35	R08231	3/8" SS FLAT WASHER	4
10	230-07-00-000	MOTOR MOUNT ASSY	1	36	230-00-00-077	FLOOR BRKT LEGS	2
11	550-16-00-000	GUARD ASSY	1	37	R08395	7/16 x 1 SS UNC HEX BOLT	4
11.1	550-16-00-046	GUARD TOP	1	38	R08229	7/16 UNC SS NYLOCK NUT	4
11.2	550-16-00-048	GUARD TUBE	1	39	R02481	4" CLAMP	2
11.3	550-16-00-049	GUARD REINFORCING ANGLE	1	40	550-08-00-026	4' MODEL VALVE CONTROL ROD	1
11.4	550-16-00-047	GUARD LARGE END BAND	1		551-30-00-073	5' MODEL VALVE CONTROL ROD	*
11.5	550-16-00-091	GUARD SMALL END BAND	1		552-31-00-074	6' MODEL VALVE CONTROL ROD	*
12	550-15-00-000	GUARD BASE ASSY	1		553-32-00-075	8' MODEL VALVE CONTROL ROD	*
13	550-17-00-000	IMPELLER ASSY	1		554-33-00-076	10' MODEL VALVE CONTROL ROD	*
13.1	230-31-00-127	IMPELLER BACK PLATE	1		555-34-00-077	12' MODEL VALVE CONTROL ROD	*
13.2	260-01-00-001	4" IMPELLER BLADE	3		556-42-00-086	15' MODEL VALVE CONTROL ROD	*
13.3	550-17-00-050	IMPELLER SLEEVE	1	41	550-09-00-027	4' MODEL DEFLECTOR ROD	1
13.4	550-17-00-051	SLOT WASHER	1		551-35-00-078	5' MODEL DEFLECTOR ROD	*
14	550-18-00-000	CUTTER BLADE ASSY	1		552-36-00-079	6' MODEL DEFLECTOR ROD	*
14.1	550-18-00-058	CUTTER BLADE	1		553-37-00-080	8' MODEL DEFLECTOR ROD	*
14.2	550-18-00-059	CUTTER BLADE TUBE	1		554-38-00-081	10' MODEL DEFLECTOR ROD	*
14.3	550-17-00-051	SLOT WASHER	1		555-39-00-082	12' MODEL DEFLECTOR ROD	*
14.4	550-18-00-060	CUTTER BLADE PLUG	1		556-43-00-087	15' MODEL DEFLECTOR ROD	*
15	550-19-00-000	COVER PLATE ASSY W/LEDGER	1	42	R08236	3/8 x 2 SS UNC HEX BOLT	2

ELECTRA KING COMPLETE

PARTS LIST			
ITEM	PART NUMBER	DESCRIPTION	QTY
43	R08248	5/16 x 1 1/4 SS UNC HEX BOLT	6
44	R08250	5/16" SS LOCK WASHER	6
45	R07884	5/16-18 SS UNC HEX NUT	6
46	R08319	3/8" SS LOCK WASHER	1
47	R07688	3/8 x 3/4 UNC HEX BOLT	1
48	550-00-00-096	FLOOR BRKT BACK PLATE	1
49	R08409	1/2 x 5 1/2 SS UNC HEX BOLT	4
50	R08228	3/8 UNC SS NYLOCK NUT	24
51	R08318	1/2 UNC SS NYLOCK NUT	9
52	R07644	1/2 x 5 UNC HEX BOLT	1
53	R08410	3/8 x 1 1/4 SS UNC HEX BOLT	2
54	R08317	3/8 x 1 SS UNC HEX BOLT	4
55	R08416	1/2 x 1 1/2 SS UNC HEX BOLT	4
56	R02855	4" RW GASKET	1
57	R22671	O-RING 78x5	1
58	550-00-00-052	SHAFT - 4 FT MODEL	1
	551-00-00-053	SHAFT - 5 FT MODEL	*
	552-00-00-054	SHAFT - 6 FT MODEL	*
	553-00-00-055	SHAFT - 8 FT MODEL	*
	554-00-00-056	SHAFT - 10 FT MODEL	*
	555-00-00-057	SHAFT - 12 FT MODEL	*
	556-00-00-088	SHAFT - 15 FT MODEL	*
59	R08217	1/2 x 1 1/4 SS UNC HEX BOLT	1
60	R08414	1/2" SS LOCK WASHER	1
61	R21521	"ROTATING DRIVE LINE" DECAL	1
62	R09508	"MADE IN CANADA" DECAL - LARGE	1
63	R09692	"CAUTION" - "ROTATING CCW" DECAL	1
64	R07948	5/32 HAIR PIN	1
65	R08404	1/4 x 1 1/2 SS UNC HEX BOLT	2
66	R08298	1/4-20 SS UNC HEX NUT	4
67	R08389	5/8-11 SS UNC HEX NUT	2
68	R08015	3/16 x 2 SS COTTER PIN	1

SHAFT TUBE ASSY

4FT SHAFT TUBE ASSY
550-03-00-000

5FT SHAFT TUBE ASSY
551-25-00-000

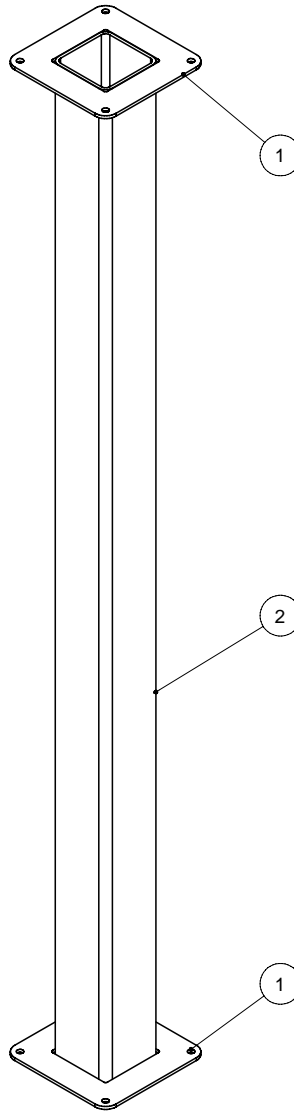
6FT SHAFT TUBE ASSY
552-26-00-000

8FT SHAFT TUBE ASSY
553-27-00-000

10FT SHAFT TUBE ASSY
554-28-00-000

12FT SHAFT TUBE ASSY
555-29-00-000

15FT SHAFT TUBE ASSY
556-41-00-000



PARTS LIST			
ITEM	PART NUMBER	DESCRIPTION	QTY
1	550-03-00-009	SHAFT TUBE FLANGE	2
2	550-03-00-008	SHAFT TUBE-4FT PUMP	1
	551-25-00-068	SHAFT TUBE-5FT PUMP	*
	552-26-00-069	SHAFT TUBE-6FT PUMP	*
	553-27-00-070	SHAFT TUBE-8FT PUMP	*
	554-28-00-071	SHAFT TUBE-10FT PUMP	*
	555-29-00-072	SHAFT TUBE-12FT PUMP	*
	556-41-00-085	SHAFT TUBE-15FT PUMP	*

STANDPIPE ASSY

4FT STANDPIPE ASSY
550-04-00-000

5FT STANDPIPE ASSY
551-20-00-000

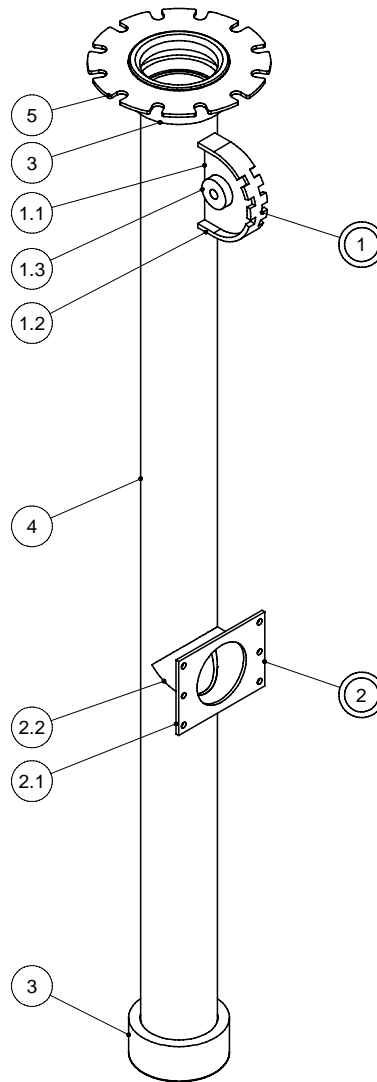
6FT STANDPIPE ASSY
552-21-00-000

8FT STANDPIPE ASSY
553-22-00-000

10FT STANDPIPE ASSY
554-23-00-000

12FT STANDPIPE ASSY
555-24-00-000

15FT STANDPIPE ASSY
556-40-00-000



PARTS LIST			
ITEM	PART NUMBER	DESCRIPTION	QTY
1	550-06-01-000	ADJUSTMENT BRKT ASSY	1
1.1	550-06-01-019	MOUNT PLATE	1
1.2	550-06-01-020	NOTCH PLATE	1
1.3	550-06-01-021	SPACER SLEEVE	1
2	550-11-00-000	VALVE BACK PLATE & TEE ASSY	1
2.1	550-11-00-032	VALVE BACK PLATE	1
2.2	550-11-00-031	TEE PIPE	1
3	550-04-00-011	4" COUPLING BASE TUBE	2
4	550-04-00-010	STANDPIPE-4FT MODEL	1
	551-20-00-063	STANDPIPE-5FT MODEL	*
	552-21-00-064	STANDPIPE-6FT MODEL	*
	553-22-00-065	STANDPIPE-8FT MODEL	*
	554-23-00-066	STANDPIPE-10FT MODEL	*
	555-24-00-067	STANDPIPE-12FT MODEL	*
	556-40-00-084	STANDPIPE-15FT MODEL	*
5	550-04-00-012	SLOTTED ADJUSTMENT RING	1

