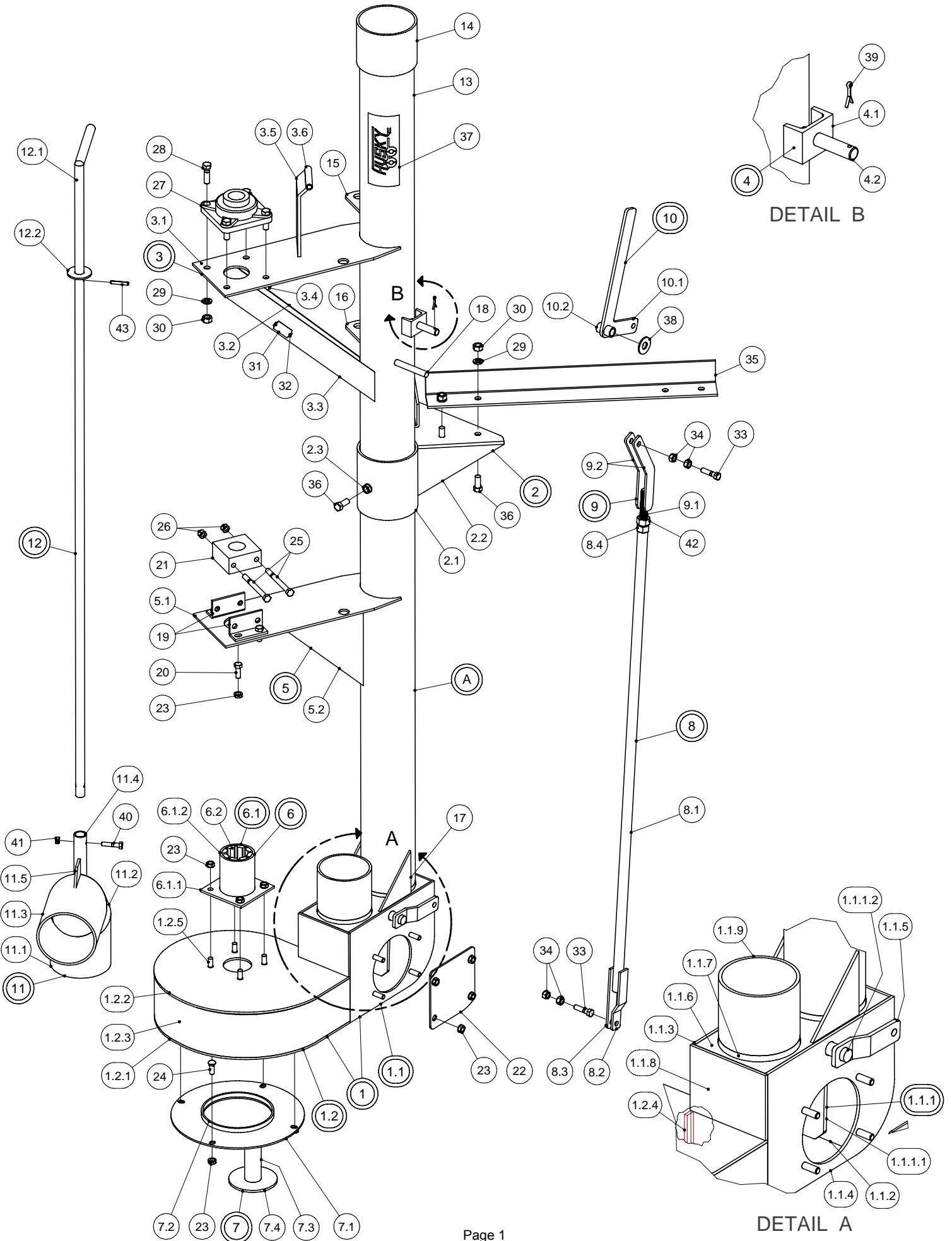


©
○

MAIN FRAME



DETAIL A

MAIN FRAME

Parts List				Parts List			
ITEM	PART NUMBER	DESCRIPTION	QTY	ITEM	PART NUMBER	DESCRIPTION	QTY
A	265-10-00-000	PUMP HOUSING & STANDPIPE ASSY - 12 FT	1	8.2	230-05-00-056	CONTROL ROD BRKT	1
	264-09-00-000	PUMP HOUSING & STANDPIPE ASSY - 10 FT	1	8.3	230-05-00-057	CONTROL ROD BAR	1
	263-08-00-000	PUMP HOUSING & STANDPIPE ASSY - 8 FT	1	8.4	R07786	5/8 HEX NUT	1
	262-07-00-000	PUMP HOUSING & STANDPIPE ASSY - 6 FT	1	9	230-13-00-000	OVER CENTER ARM ASSY	1
	261-06-00-000	PUMP HOUSING & STANDPIPE ASSY - 5 FT	1	9.1	230-13-00-076	ADJUSTING ROD	1
	260-05-00-000	PUMP HOUSING & STANDPIPE ASSY - 4 FT	1	9.2	230-13-00-075	OVER CENTER ARM	2
1	260-02-00-000	CHANGE BOX & HOUSING ASSY	1	10	230-04-00-000	AGITATOR HANDLE ASSY	1
1.1	260-02-02-000	4" CHANGE BOX ASSY	1	10.1	230-04-01-131	HANDLE	1
1.1.1	260-02-07-000	FLAPPER ASSY	1	10.2	230-04-00-047	HANDLE PIVOT	1
1.1.1.1	260-02-02-012	FLAPPER	1	11	260-04-00-000	AGITATOR ELBOW ASSY	1
1.1.1.2	260-02-02-015	FLAPPER SHAFT	1	11.1	260-04-00-018	AGITATING ELBOW BASE	1
1.1.2	260-02-02-009	CHANGE BOX BAND	1	11.2	260-04-00-019	AGITATING ELBOW CENTER PIECE	1
1.1.3	260-02-02-008	SIDE PLATE	1	11.3	260-04-00-020	AGITATING ELBOW TOP PIECE	1
1.1.4	260-02-02-007	INSPECTION SIDE PLATE	1	11.4	230-01-03-020	TURN SOCKET	1
1.1.5	230-01-02-005	FLAPPER ARM	1	11.5	230-01-03-021	TURN SOCKET GUSSET	1
1.1.6	260-02-02-010	TOP PLATE	1	(12)	239-30-00-000	AGITATOR TURN LEVER ASSY - 12 FT MODEL	1
1.1.7	260-02-02-014	FLAPPER SEAT	2		238-29-00-000	AGITATOR TURN LEVER ASSY - 10 FT MODEL	1
1.1.8	260-02-02-011	END PLATE	1		236-28-00-000	AGITATOR TURN LEVER ASSY - 8 FT MODEL	1
1.1.9	260-02-02-013	FLAPPER SEAT EXTENSION	1		234-27-00-000	AGITATOR TURN LEVER ASSY - 6 FT MODEL	1
1.1.10	R08323	3/8 x 1 WELD STUD	4		232-26-00-000	AGITATOR TURN LEVER ASSY - 5 FT MODEL	1
1.2	260-02-01-000	FAN HOUSING ASSY	1	12	230-25-00-000	AGITATOR TURN LEVER ASSY - 4 FT MODEL	1
1.2.1	260-02-01-003	FAN HOUSING BOTTOM PLATE	1	(12.1)	239-30-00-124	AGITATOR TURN LEVER - 12 FT MODEL	1
1.2.2	260-02-01-004	FAN HOUSING TOP PLATE	1		238-29-00-123	AGITATOR TURN LEVER - 10 FT MODEL	1
1.2.3	260-02-01-005	HOUSING BAND	1		236-28-00-122	AGITATOR TURN LEVER - 8 FT MODEL	1
1.2.4	260-02-01-006	FILLER PLATE	1		234-27-00-121	AGITATOR TURN LEVER - 6 FT MODEL	1
1.2.5	R08244	3/8 x 3/4 FLAT HEAD SLOT S.S.	4		232-26-00-120	AGITATOR TURN LEVER - 5 FT MODEL	1
2	260-03-00-000	FLOOR BRACKET ASSY	1	12.1	230-25-00-119	AGITATOR TURN LEVER - 4 FT MODEL	1
2.1	260-03-00-016	SLIDE TUBE	1	12.2	R07827	3/4" FLAT WASHER	1
2.2	260-03-00-034	FLOOR BRACKET BASE	1	13	260-05-00-025	STANDPIPE - 4 FT	1
2.3	R07879	7/16 FLANGE NUT	1		261-06-00-027	STANDPIPE - 5 FT	1
3	260-05-03-000	UPPER BRG PLATE ASSY	1		262-07-00-028	STANDPIPE - 6 FT	1
3.1	260-05-03-021	UPPER BRG PLATE	1		263-08-00-029	STANDPIPE - 8 FT	1
3.2	260-05-03-023	LH BRG PLATE BRACE	1		264-09-00-030	STANDPIPE - 10 FT	1
3.3	260-05-03-022	RH BRG PLATE BRACE	1		265-10-00-031	STANDPIPE - 12 FT	1
3.4	260-05-03-033	TENSION ROD BRKT	1	14	260-05-00-024	ADAPTER TUBE	1
3.5	230-01-04-026	GUARD HINGE PLATE	1	15	230-01-00-138	UPPER MOTOR MOUNT ASSY	1
3.6	230-01-04-027	GUARD SLEEVE	1	16	230-01-00-139	LOWER MOTOR MOUNT ASSY	1
4	230-01-07-000	PIVOT PIN ASSY	1	17	230-01-00-040	STANDPIPE GUSSET	2
4.1	230-01-07-031	PIVOT PIN BRKT	1	18	260-05-00-035	STOP ROD	1
4.2	230-01-07-030	PIVOT PIN	1	19	234-00-00-144	BRG HOLDER	2
5	262-07-04-000	INTERMEDIATE BRG HOLDER ASSY (ON 6 FT & OVER)	1	20	R07619	3/8 x 1 HEX BOLT	4
5.1	262-07-04-026	INTERMEDIATE BRG PLATE	1	21	R20229	1 3/8 WOOD BRG	1
5.2	234-01-08-116	INTERMEDIATE BRG GUSSET	1	22	230-00-00-084	INSPECTION PLATE	1
6	230-33-00-000	BEARING & HOLDER ASSY	1	23	R07794	3/8 FLANGE NUT	16
6.1	230-33-09-000	BEARING HOLDER ASSY	1	24	R07721	3/8 x 1 CARRIAGE BOLT	4
6.1.1	230-33-09-128	BEARING HOLDER BACK PLATE	1	25	R07625	3/8 x 4 HEX BOLT	2
6.1.2	230-33-09-129	BRG HOLDER	1	26	R08247	3/8 NYLOCK NUT	2
6.2	R20223	URETHANE	1	27	R20185	1 3/8 FLANGE BRG	1
7	230-21-00-000	COVER PLATE ASSY	1	28	R07629	7/16 x 1 1/2 HEX BOLT	4
7.1	230-21-00-104	HOUSING COVER PLATE	1	29	R07804	7/16 LOCK WASHER	8
7.2	230-21-00-105	INLET RING	1	30	R07784	7/16 HEX NUT	8
7.3	230-06-00-059	FOOT SPACER	1	31	R09071	SERIAL NUMBER PLATE	1
7.4	230-06-00-060	FOOT	1	32	R08152	6 x 1/4 PAN HD SOCKET SCREW	2
(8)	239-05-00-000	CONTROL ROD ASSY - 12 FT MODEL	1	33	R07620	3/8 x 1 1/2 HEX BOLT	2
	238-05-00-000	CONTROL ROD ASSY - 10 FT MODEL	1	34	R07783	3/8 HEX NUT	4
	236-05-00-000	CONTROL ROD ASSY - 8 FT MODEL	1	35	230-00-00-077	FLOOR BRKT LEGS	2
	234-05-00-000	CONTROL ROD ASSY - 6 FT MODEL	1	36	R07628	7/16 x 1 HEX BOLT	5
	232-05-00-000	CONTROL ROD ASSY - 5 FT MODEL	1	37	R09671-R57mm	"HUSKY" DECAL	1
8	230-05-00-000	CONTROL ROD ASSY - 4 FT MODEL	1	38	R07852	9/16 FLAT WASHER	1
(8.1)	239-05-00-055	CONTROL PIPE - 12 FT MODEL	1	39	R08021	1/8 x 1 S.S. COTTER PIN	1
	238-05-00-054	CONTROL PIPE - 10 FT MODEL	1	40	R07612	5/16 x 1 1/2 HEX BOLT	1
	236-05-00-053	CONTROL PIPE - 8 FT MODEL	1	41	R07888	5/16 - 2 WAY LOCK NUT	1
	234-05-00-052	CONTROL PIPE - 6 FT MODEL	1	42	R07786	5/8 HEX NUT	1
	232-05-00-051	CONTROL PIPE - 5 FT MODEL	1	43	R07962	1/4 x 1 1/2 ROLL PIN	1
8.1	230-05-00-050	CONTROL PIPE - 4 FT MODEL	1				

NOTE: 4ft & 5ft DO NOT INCLUDE AN INTERMEDIATE BRG PLATE ASSY
6ft to 10ft INCLUDE 1 INTERMEDIATE BRG PLATE ASSY (PLUS HARDWARE)
12ft INCLUDE 2 INTERMEDIATE BRG PLATE ASSY (PLUS HARDWARE)

IMPELLER & SHAFT

